

Datasheet

YLE-8W-CC Series

FORTEC
UNITED STATES

FORTEC
INTEGRATED

FORTEC
UNITED KINGDOM

The information contained in this document has been carefully researched and is, to the best of our knowledge, accurate. However, we assume no liability for any product failures or damages, immediate or consequential, resulting from the use of the information provided herein. Our products are not intended for use in systems in which failures of product could result in personal injury. All trademarks mentioned herein are property of their respective owners. All specifications are subject to change without notice.

YLE-8W-CC SERIES



Input: 220-240V 50-60Hz
Output Current: 150mA,200mA,250mA
Rated Power: 8W max

Features

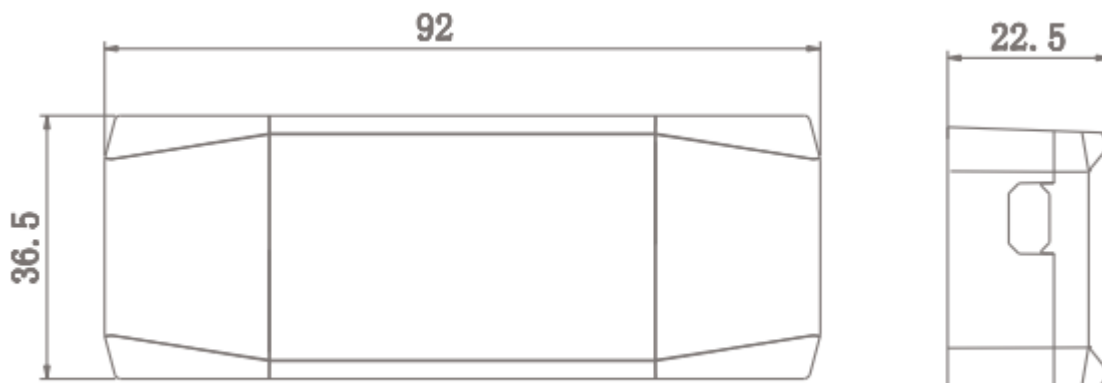
- Super compact , Independent Power Supply
- Flicker-free Design
- Power Factor: 0.5C
- Efficiency: $\geq 80\%$
- Protections: Short Circuit/Overload/
Over Voltage/Over Temperature
- Class II Protection Design
- ERP :EU2019/2020
- 5 years warranty
- IP20



Application

LED panel
LED down light
LED spot light

■ Dimensions and Installation



YLE-8W-CC SERIES

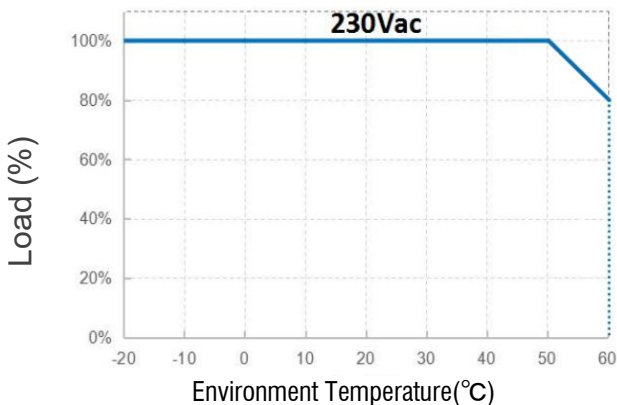
MODEL DETAIL SPEC.		YLE-8-150	YLE-8-200	YLE-8-250
INPUT	Input Voltage:	220-240VAC		
	Range of Input Voltage:	198-264VAC		
	Input Frequency:	50-60Hz		
	Displacement factor	≥0.5		
	Power Factor:	≥0.5@Full Load 230VAC		
	Input Current max (mA)	90	120	100
	Efficiency(Typ.)	≥80%@Full load,230V		
	Start-up time	<0.5S		
	THD(typ.)	≤20%		
	No Load Power	≤0.5W		
	Standby Power	≤0.5W		
OUTPUT	Constant Current (mA)	150mA	200mA	250mA
	Voltage Range(VDC)	30-42		16-26
	Unload voltage Max.(VDC)	59		37
	Output Current Tolerance	±9%	±8%	±8%
	Output Power(Typ.)	8W		
	Output HF current ripple(>1KHz)	±5%		
	Output LF current ripple(<120Hz)	±5%		
	SVM	≤0.4		
	Pst	≤1		
ENVIRONMENTAL	Operating Temperature Ta:	-20°C ~ +45°C		
	Storage Temp:	-20°C ~ +60°C		
	Maximum Case Temperature Tc:	+75°C (+70°C@220mA)		
	Humidity:	20 ~ 90% RH		
	Lifetime:	>50,000h@Tc=75°C(> 50,000h@Tc=70°C@220mA)		
PROTECTION	Over Load:	103-120%		
		Yes/Auto Restore		
	Over Voltage:	59	37	
		Yes/Auto Restore		
Short Circuit:	Yes/Auto Restore			
Over Temperature	Yes/Auto Restore			
SAFETY & EMC	Safety Regulations:	EN61347-2-13:2014+A1:2017,EN61347-1:2015+A1:2021;EN62493:2015		
	Withstand Voltage:	I/P-O/P:3750VAC		
	Harmonic:	EN61000-3-2 Class C EN61000-3-3		
	EMI:	Compliance to EN55015		
	EMS:	Compliance to EN61547:2009		
OTHER	MTBF:	200,000 Hours Minimum at Full Load at 25°C Ambient		
	Case Material and Size:	Plastic		
	IP Grade:	IP20		
	Size:	92*36.5*22.5mm±1mm		

YLE-8W-CC SERIES

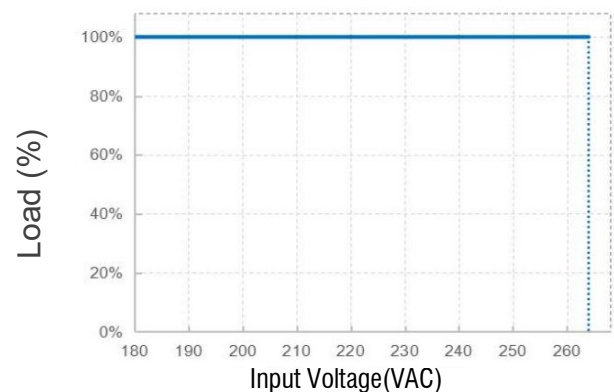
Note:

1. All parameters not specially mentioned are measured at 230VAC input, full load and 25°C of ambient temperature.
2. Ripple & Noise are measured at 20MHz of bandwidth by using a 300mm twisted pair-wire terminated with a 0.1uF & 47 uF parallel capacitor.
3. Data are typical values obtained from test samples, Tested at full load, 230Vac. Refer to "Power Factor" and "Efficient" curve graphs.
4. Switch and dimmer are not recommended to connect between this product output and luminaries.
5. The power supply is considered as a component that will be operated in combination with final equipment. Since EMC performance will be affected by the complete installation, the final equipment manufacturers must re-qualify EMC Directive on the complete installation again.

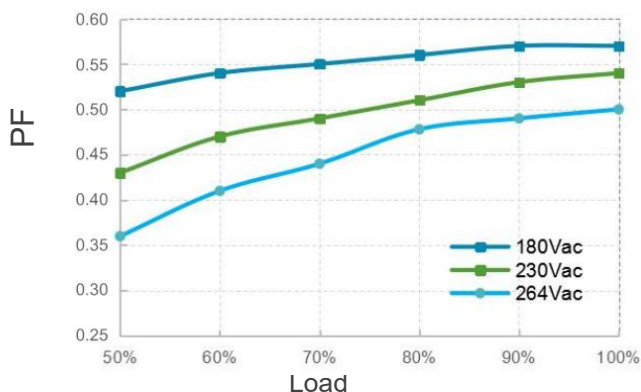
Deduction Curve and Temperature



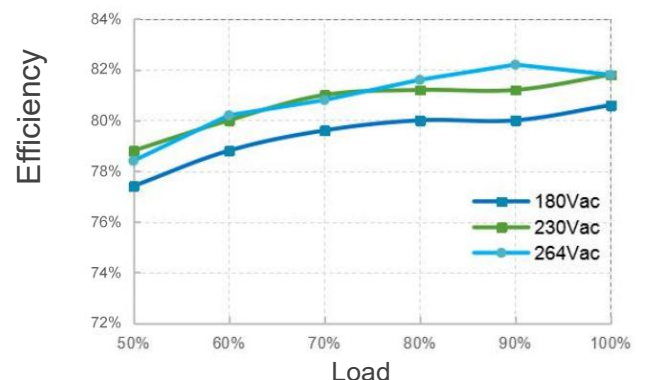
Minus Output and Input Voltage Curves

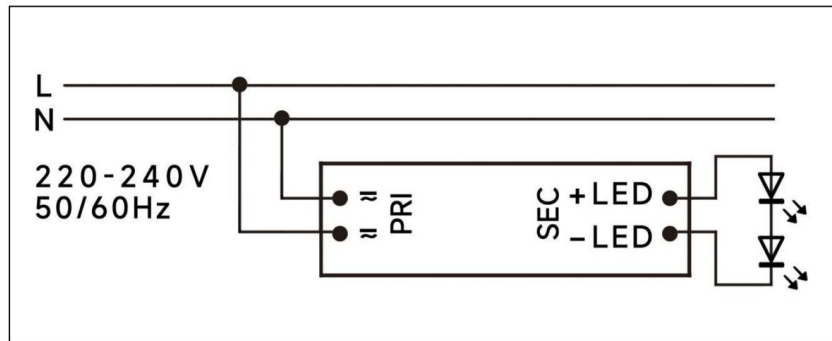


Power Factor (PF) Curves



Efficiency Vs Load



YLE-8W-CC SERIES**Wiring Diagram****Wiring & Connections**

Specification item		Value (Unit)
Input	Input wire cross-section	0.5...1.5 mm ²
	Input wire gauge.	16...20 AWG
	Input wire strip length	7...9mm
Output	Output wire cross-section	0.5...1.5 mm ²
	Output wire gauge.	16...20 AWG
	Output wire strip length	7...9mm

Manufacturer's address:

Cuijia, Xidian Town, Ninghai, Ningbo 315613, China

Tel: +86-574-87563856

<https://www.yingjiaodriver.com>

FORTEC

GROUP

Our company network supports you worldwide with offices in Germany, Austria, Switzerland, the UK and the USA. For more information please contact:

FORTEC

GROUP

FORTEC Elektronik AG | Augsburgener Straße 2b | 82110 Germering
+49 89 894450-0
info@fortecag.de | www.fortecag.de

FORTEC

INTEGRATED

FORTEC Integrated GmbH | Augsburgener Straße 2b | 82110 Germering
+49 89 894363-0
info@fortec-integrated.de | www.fortec-integrated.de

FORTEC

POWER

FORTEC Power GmbH | Lise-Meitner-Straße 3 | 64560 Riedstadt
+49 6158 8285-0
weborder@fortec-power.de | www.fortec-power.de

FORTEC

EGYPT

FORTEC Electronic Design and Solution Egypt SMLC | Linx Business Park
Unit B318 | Smart Village | Giza Governorate
info@fortec-integrated.de | www.fortec-integrated.de

Autronic Steuer- und Regeltechnik GmbH | Siemensstraße 17
74343 Sachsenheim
+49 7147 24-0
vertrieb@autronic.de | www.autronic.de

FORTEC

CZECH REPUBLIC

FORTEC Czech Republic s.r.o. | Přátelství 275 | 330 02 Dýšina
+49 89 894363-0
info@fortec.cz | www.fortec.cz

FORTEC

UNITED STATES

FORTEC United States, Corp. | 87 Raynor Avenue Unit 1 | Ronkonkoma
NY | 11779 | +1 631 5804360
info@fortec.us | www.fortec.us

FORTEC

SWITZERLAND

FORTEC Switzerland AG | Bahnhofstraße 3 | 5436 Würenlos
+41 44 7446111
info@fortec.ch | www.fortec.ch

FORTEC

UNITED KINGDOM

FORTEC Technology UK Ltd. | Osprey House | 1 Osprey Court
Hinchingsbrooke Business Park | Huntingdon | Cambridgeshire | PE29 6FN
+44 1480 411600
info@fortec.uk | www.fortec.uk