

Datasheet

DLCV45-45W Series

FORTEC
UNITED STATES

FORTEC
INTEGRATED

FORTEC
UNITED KINGDOM

The information contained in this document has been carefully researched and is, to the best of our knowledge, accurate. However, we assume no liability for any product failures or damages, immediate or consequential, resulting from the use of the information provided herein. Our products are not intended for use in systems in which failures of product could result in personal injury. All trademarks mentioned herein are property of their respective owners. All specifications are subject to change without notice.

DLCV45 SERIES

45W



Features

- DALI-2&PUSH (2in1) Dimmable
- Dimming range: 1-100%
- SELV, Independent Power Supply
- IP20 Rated Case
- 3 Years Warranty

Applications

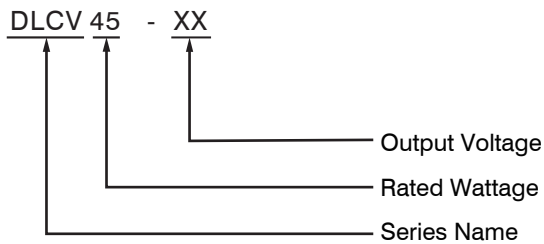
- Commercial Lighting
- Indoor Lighting
- Industrial Lighting
- Retail Lighting



Description

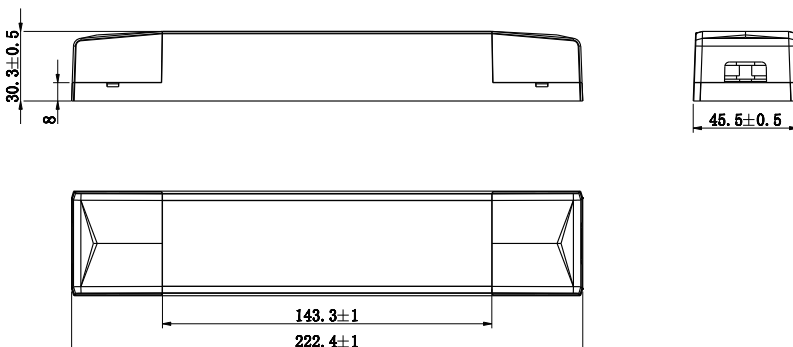
Yingjiao LED driver is designed for various LED lighting devices, with advanced circuit design and high - quality components. It provides stable and reliable power for LED lights, ensuring the best lighting effect in various scenarios, extending the lifespan of the lamps, and featuring DALI and PUSH dimming functions with a dimming range of 0 to 100%. It is also equipped with a detachable cover for convenient use.

Model Description



Dimensions

(Unit: mm , tolerance: ± 1 mm)



Specification

Model	DLCV45-12		DLCV45-24		
Output	DC Voltage	12V		24V	
	Rated Current	2.5A	3.75A	1.25A	1.875A
	Rated Power	30W	45W	30W	45W
	Ripple & Noise(max.) ^①	400mVm-p			
	Voltage Tolerance	±5%			
	HF Current Ripple(>1KHz)	±1%			
	LF Current Ripple(<120Hz)	±1%			
	Line Regulation	±1%			
	Load Regulation	±3%			
	SVM	<0.4			
	Pst	<1.0			
	Dimming Type	DALI-2 IEC 62386-101,102,207 & Push Dimming (Corridor Function)			
	PWM Resolution	16 bit			
	Dimming Range	1-100%			
Setup Time	0.8s/230VAC (Full Load)				
Input	Rated Voltage Range	220-240VAC			
	Voltage Range	176-264VAC			
	Frequency Range	50/60Hz			
	AC Current	0.45A/230VAC (Full Load)			
	Power Factor ^①	PF>0.95			
	THD	<20%			
	Efficiency ^①	86%	86.5%		
	Inrush Current	Cold Start 40A/400us at 230VAC			
	Leakage Current	<0.5mA/230VAC			
	No Load Power Consumption	<0.5W			
MCBS	Circuit breaker type	B16	C16		
	Number of drivers	5	8		
Protection	Over Current	110~180% Constant current limiting, recovers automatically after fault condition is removed			
	Short Circuit	Hiccup mode, recovers automatically after fault condition is removed.			
	Over Voltage	13~15.6V	25.2~31.2V		
		Shut down o/p voltage, re-power on to recover.			
	Over Temperature	Auto Restore.			
Ambient	Working TEMP.	Ta:-20~+40 C (Please refer to "Derating Curve" section)			
	MAX. Case TEMP.	Tc:85 C			
	Working Humidity	20~95%RH Non-condensing			
	Storage TEMP. Humidity	-25~+60 C, 10~95%RH Non-condensing			
	TEMP. Coefficient	±0.03%/(0~40 C)			
	Vibration	10 ~ 500Hz, 5G 12min./1cycle, period for 72min. each along X, Y, Z axes			
Life	Lifetime	>50000h@Tc=40 C, full load			
	MTBF	254.8Khrs min. MIL-HDBK-217F(25 C)			
Safety	Safety Standards	EN61347-2-13, EN61347-1 approved			
	Withstand Voltage	I/P-O/P: 3.75KVAC/1MIN			
	Harmonic	EN61000-3-2 Class C EN61000-3-3			
	EMC EMISSION	Compliance to EN55015, EN61547			
	EMC IMMUNITY	Compliance to EN61000-4-11 Criteria B, EN61000-4-2,3,4,5,6,8 Criteria A			
Other	Dimenions(LxWxH)	222.4 x 45.5 x 30.3 mm			
	Packing	150g/pcs; 47 x 27.5 x 20 cm; 50pcs/carton			
Note	<p>1. Tested at full load,230Vac. Refer to"Power Factor" and "Efficient"curve graphs.</p> <p>2. Ripple & noise are measured at 20MHz of bandwidth by using a 12" twisted pair-wire terminated with a 0.1uf & 47uf parallel capacitor.</p> <p>3. All parameters NOT specially mentioned are measured at nominal voltage input, rated load and 25 C of ambient temperature.</p> <p>4. Length of set up time is measured at first cold start. Turning ON/OFF the driver may lead to increase of the set up time.</p>				

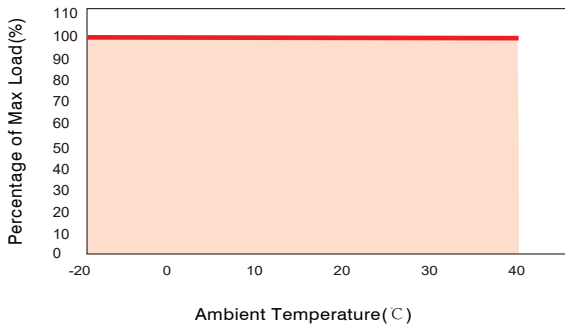
File last modification time: 2026-1-8

DLCV45 SERIES

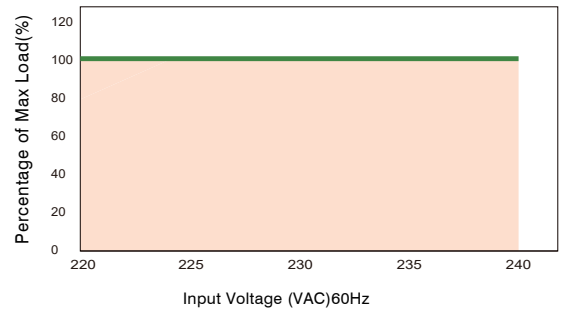
45W

Feature Curves

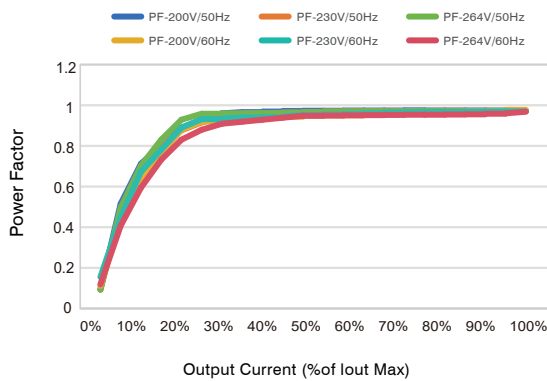
1. Derating Curve



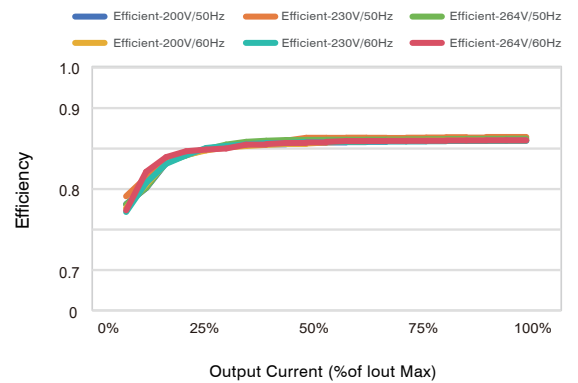
2. Static Characteristics



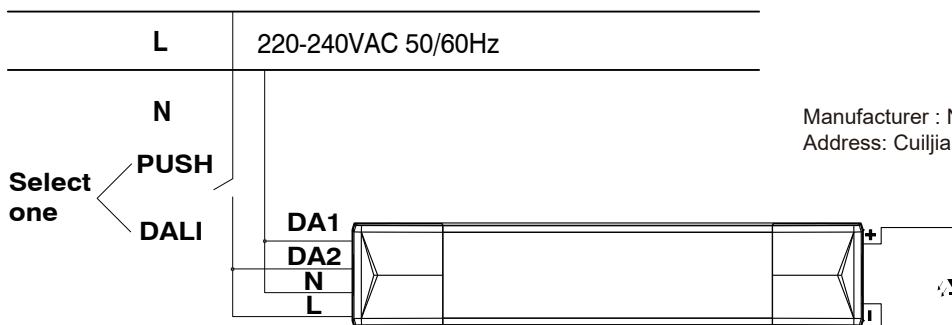
3. Power Factor Curve



4. Efficiency Curve



Wiring Diagram



Manufacturer : Ninghai Yingjiao Electrical Co.,Ltd.
 Address: Cuijia, Xidian Town, Ninghai, Ningbo 315613, China

FORTEC

GROUP

Our company network supports you worldwide with offices in Germany, Austria, Switzerland, the UK and the USA. For more information please contact:

FORTEC

GROUP

FORTEC Elektronik AG | Augsburgener Straße 2b | 82110 Germering
+49 89 894450-0
info@fortecag.de | www.fortecag.de

FORTEC

INTEGRATED

FORTEC Integrated GmbH | Augsburgener Straße 2b | 82110 Germering
+49 89 894363-0
info@fortec-integrated.de | www.fortec-integrated.de

FORTEC

POWER

FORTEC Power GmbH | Lise-Meitner-Straße 3 | 64560 Riedstadt
+49 6158 8285-0
weborder@fortec-power.de | www.fortec-power.de

FORTEC

EGYPT

FORTEC Electronic Design and Solution Egypt SMLC | Linx Business Park
Unit B318 | Smart Village | Giza Governorate
info@fortec-integrated.de | www.fortec-integrated.de

Autronic Steuer- und Regeltechnik GmbH | Siemensstraße 17
74343 Sachsenheim
+49 7147 24-0
vertrieb@autronic.de | www.autronic.de

FORTEC

CZECH REPUBLIC

FORTEC Czech Republic s.r.o. | Přátelství 275 | 330 02 Dýšina
+49 89 894363-0
info@fortec.cz | www.fortec.cz

FORTEC

UNITED STATES

FORTEC United States, Corp. | 87 Raynor Avenue Unit 1 | Ronkonkoma
NY | 11779 | +1 631 5804360
info@fortec.us | www.fortec.us

FORTEC

SWITZERLAND

FORTEC Switzerland AG | Bahnhofstraße 3 | 5436 Würenlos
+41 44 7446111
info@fortec.ch | www.fortec.ch

FORTEC

UNITED KINGDOM

FORTEC Technology UK Ltd. | Osprey House | 1 Osprey Court
Hinchingsbrooke Business Park | Huntingdon | Cambridgeshire | PE29 6FN
+44 1480 411600
info@fortec.uk | www.fortec.uk