

Datasheet

YSL100F SERIES 100W

FORTEC
UNITED STATES

FORTEC
INTEGRATED

FORTEC
UNITED KINGDOM

The information contained in this document has been carefully researched and is, to the best of our knowledge, accurate. However, we assume no liability for any product failures or damages, immediate or consequential, resulting from the use of the information provided herein. Our products are not intended for use in systems in which failures of product could result in personal injury. All trademarks mentioned herein are property of their respective owners. All specifications are subject to change without notice.

YSL100F-100W SERIES

Input: 220-240V 50/60Hz
Output Voltage: 12V,24V,36V,48V
Rated Power: 100W max



Features

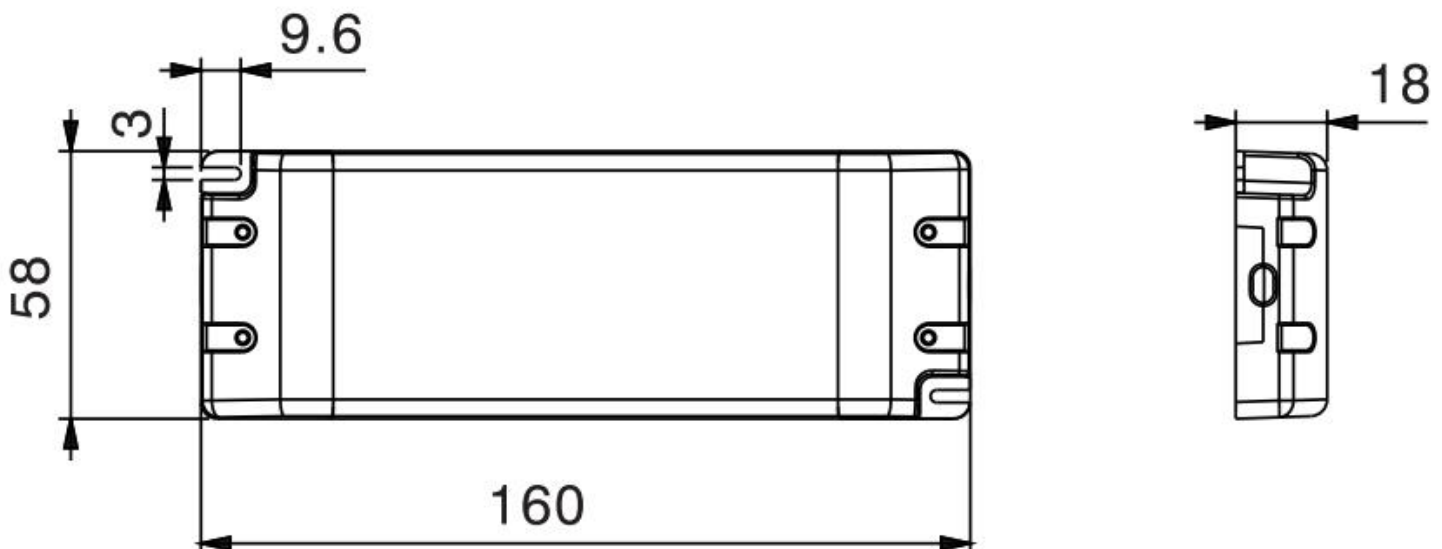
- Super compact Power Supply
- flicker-free Design
- Terminal block for Quick Connection
- Protections: Over Voltage, Overload, Short Circuit, Over Temperature:
- Class II Protection Design
- ERP: EU2019/2020
- RoHS Compliance
- 100% full load burn-in test



Application

- LED strips
- LED indoor lighting
- LED decorative lighting
- LED building lighting

■ Dimensions and Installation

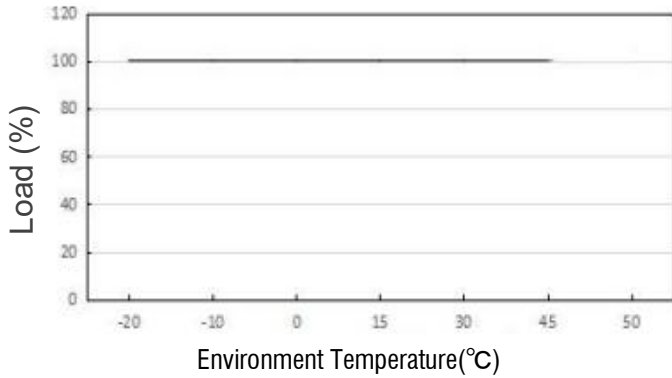


YSL100F-100W SERIES

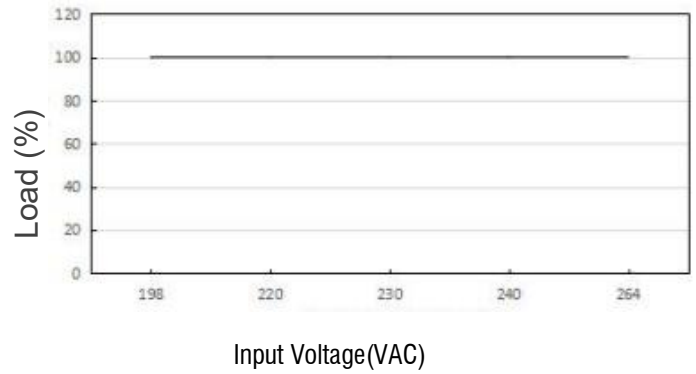
| MODEL DETAIL SPEC. | | YSL100F-1208330 | YSL100F-2404160 | YSL100F-3602770 | YSL100F-4802080 |
|--------------------|------------------------------|--|-----------------|-----------------|-----------------|
| INPUT | Input Voltage: | 220-240VAC | | | |
| | Range of Input Voltage: | 198-264VAC | | | |
| | Input Frequency: | 50-60Hz | | | |
| | Input Current: | 0.7A MAX@Full Load | | | |
| | Inrush Current: | < 65 Amps at 230VAC/50Hz@full load | | | |
| | Leakage Current: | < 0.25mA/240VAC | | | |
| | THD (Full load): | < 20% | | | |
| | Unload Power Consumption: | < 0.5W | | | |
| | Average Efficiency: | 92% | | | |
| | Power Factor: | ≥0.9@Full Load 220-240VAC | | | |
| OUTPUT | DC Voltage: | 12V | 24V | 36V | 48V |
| | Rated Current(Max): | 8.33A | 4.16A | 2.77A | 2.08A |
| | Rated Power(Max): | 100W | 100W | 100W | 75W |
| | Voltage Tolerance: | ±5% | | | |
| | Ripple and Noise: | 400mVp-p | 400mVp-p | 400mVp-p | 400mVp-p |
| | Line Regulation: | ±3% | | | |
| | Load Regulation: | ±5% | | | |
| | Setup, Rise, Hold Up Time: | 1s, 10ms/60ms 230VAC @ full load | | | |
| ENVIRONMENTAL | Operating Temperature Ta: | -20°C ~ +45°C | | | |
| | Storage Temp: | -40°C ~ +85°C | | | |
| | Maximum Case Temperature Tc: | +85°C | | | |
| | Humidity: | 20 ~ 95% RH | | | |
| | Lifetime: | >30000hours@ta 40°C | | | |
| PROTECTION | Over Load: | Yes , Above 105%-130% rated output power Protection type: Hiccup mode, recovers automatically after fault condition is removed | | | |
| | Over Voltage: | Yes , 12V:13.8 ~ 16.2V 24V:27.6 ~ 32.4V 36V:41.4~48.6V 48V: 55.2~64.8V Protection type: Shut down o/p voltage, re-power on to recover | | | |
| | Short Circuit: | Yes , Protection type:Hiccup mode, recovers automatically after fault condition is removed | | | |
| | Over Temperature: | Yes , Protection type: Auto Restore | | | |
| SAFETY & EMC | Safety Regulations: | EN61347-2-13:2014+A1:2017,EN61347-1:2015+A1:2021;EN62493:2015 | | | |
| | Withstand Voltage: | I/P-O/P:3750VAC | | | |
| | Harmonic: | EN61000-3-2 Class C EN61000-3-3 | | | |
| | EMI: | Compliance to EN55015 | | | |
| | EMS: | Compliance to EN61547:2009 | | | |
| OTHER | MTBF: | 200,000 Hours Minimum at Full Load at 25°C Ambient | | | |
| | Case Material and Size: | Plastic | | | |
| | IP Grade: | IP20 | | | |
| | Size: | 160*58*18mm | | | |
| | Weight: | 255g / pcs | | | |
| | Packaging: | 50PCS/CTN,35*14.5*35cm | | | |

YSL100F-100W SERIES

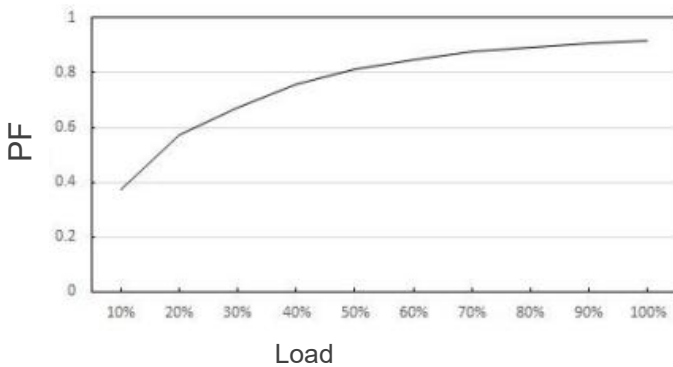
Deduction Curve and Temperature



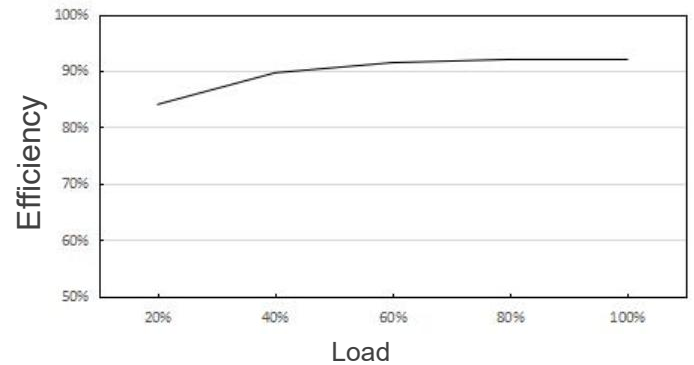
Minus Output and Input Voltage Curves



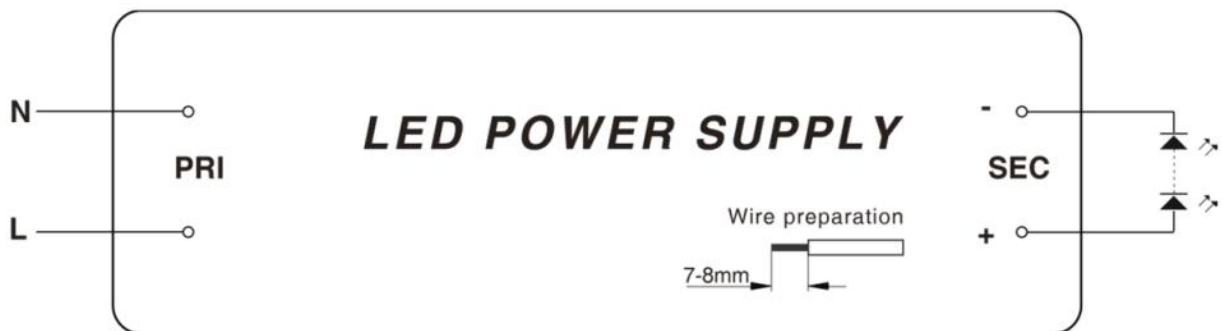
Power Factor (PF) Curves



Efficiency Vs Load



Wiring Diagram



Manufacturer's address:

Cuijia, Xidian Town, Ninghai, Ningbo 315613, China

Tel: +86-574-87563856

<https://www.yingjiaodriver.com>

FORTEC

GROUP

Our company network supports you worldwide with offices in Germany, Austria, Switzerland, the UK and the USA. For more information please contact:

FORTEC

GROUP

FORTEC Elektronik AG | Augsburgener Straße 2b | 82110 Germering
+49 89 894450-0
info@fortecag.de | www.fortecag.de

FORTEC

INTEGRATED

FORTEC Integrated GmbH | Augsburgener Straße 2b | 82110 Germering
+49 89 894363-0
info@fortec-integrated.de | www.fortec-integrated.de

FORTEC

POWER

FORTEC Power GmbH | Lise-Meitner-Straße 3 | 64560 Riedstadt
+49 6158 8285-0
weborder@fortec-power.de | www.fortec-power.de

FORTEC

EGYPT

FORTEC Electronic Design and Solution Egypt SMLC | Linx Business Park
Unit B318 | Smart Village | Giza Governorate
info@fortec-integrated.de | www.fortec-integrated.de

Autronic Steuer- und Regeltechnik GmbH | Siemensstraße 17
74343 Sachsenheim
+49 7147 24-0
vertrieb@autronic.de | www.autronic.de

FORTEC

CZECH REPUBLIC

FORTEC Czech Republic s.r.o. | Přátelství 275 | 330 02 Dýšina
+49 89 894363-0
info@fortec.cz | www.fortec.cz

FORTEC

UNITED STATES

FORTEC United States, Corp. | 87 Raynor Avenue Unit 1 | Ronkonkoma
NY | 11779 | +1 631 5804360
info@fortec.us | www.fortec.us

FORTEC

SWITZERLAND

FORTEC Switzerland AG | Bahnhofstraße 3 | 5436 Würenlos
+41 44 7446111
info@fortec.ch | www.fortec.ch

FORTEC

UNITED KINGDOM

FORTEC Technology UK Ltd. | Osprey House | 1 Osprey Court
Hinchingsbrooke Business Park | Huntingdon | Cambridgeshire | PE29 6FN
+44 1480 411600
info@fortec.uk | www.fortec.uk