

Datasheet

DLCV200-200W Series

FORTEC
UNITED STATES

FORTEC
INTEGRATED

FORTEC
UNITED KINGDOM

The information contained in this document has been carefully researched and is, to the best of our knowledge, accurate. However, we assume no liability for any product failures or damages, immediate or consequential, resulting from the use of the information provided herein. Our products are not intended for use in systems in which failures of product could result in personal injury. All trademarks mentioned herein are property of their respective owners. All specifications are subject to change without notice.

DLCV200 SERIES

200W



Features

- DALI-2&PUSH (2in1) Dimmable
- Dimming range: 1-100%
- SELV, Independent Power Supply
- IP20 Rated Case
- 3 Years Warranty

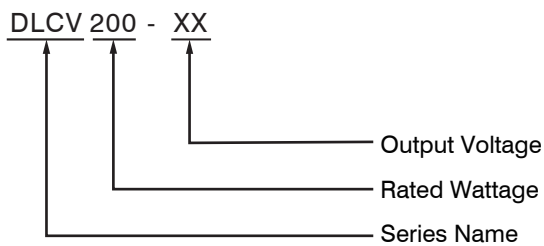
Applications

- Commercial Lighting
- Indoor Lighting
- Industrial Lighting
- Retail Lighting

Description

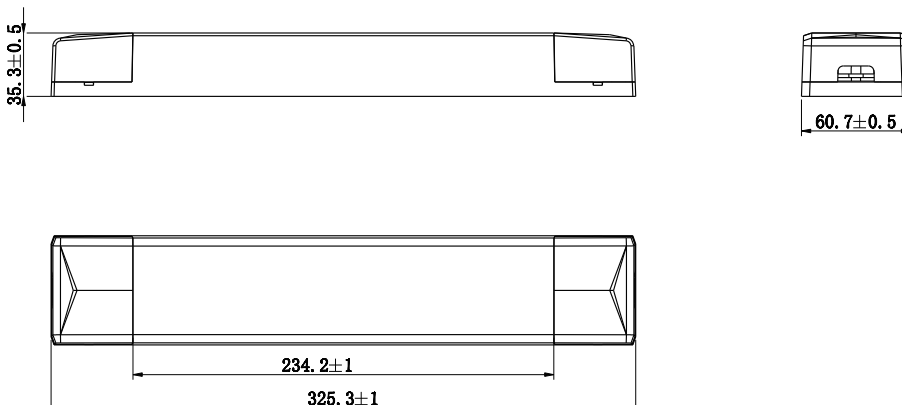
Yingjiao LED driver is designed for various LED lighting devices, with advanced circuit design and high - quality components. It provides stable and reliable power for LED lights, ensuring the best lighting effect in various scenarios, extending the lifespan of the lamps, and featuring DALI and PUSH dimming functions with a dimming range of 0 to 100%. It is also equipped with a detachable cover for convenient use.

Model Description



Dimensions

(Unit: mm , tolerance: ± 1 mm)



Specification

| Model | | DLCV200-12 | DLCV200-24 | DLCV200-36 | DLCV200-48 |
|------------|--|--|------------|------------|------------|
| Output | DC Voltage | 12V | 24V | 24V | 24V |
| | Rated Current | 16.66A | 8.33A | 5.55A | 4.16A |
| | Rated Power | 200W | 200W | 200W | 200W |
| | Ripple & Noise(max.) | 400mVm-p | | | |
| | Voltage Tolerance | ±5% | | | |
| | HF Current Ripple(>1KHz) | ±1% | | | |
| | LF Current Ripple(<120Hz) | ±1% | | | |
| | Line Regulation | ±1% | | | |
| | Load Regulation | ±3% | | | |
| | SVM | <0.4 | | | |
| | Pst | <1.0 | | | |
| | Dimming Type | DALI-2 IEC 62386-101,102,207 & Push Dimming (Corridor Function) | | | |
| | PWM Resolution | 16 bit | | | |
| | Dimming Range | 1-100% | | | |
| Setup Time | 1.0s/230VAC (Full Load) | | | | |
| Input | Rated Voltage Range | 220-240VAC | | | |
| | Voltage Range | 176-264VAC | | | |
| | Frequency Range | 50/60Hz | | | |
| | AC Current | 1.2A/230VAC (Full Load) | | | |
| | Power Factor | PF>0.95 | | | |
| | THD | <10% | | | |
| | Efficiency | 89% | 89% | 90% | 89.5% |
| | Inrush Current | Cold Start 40A/400us at 230VAC | | | |
| | Leakage Current | <0.5mA/230VAC | | | |
| | No Load Power Consumption | <0.5W | | | |
| MCBS | Circuit breaker type | B16 | | C16 | |
| | Number of drivers | 6 | | 9 | |
| Protection | Over Current | 110~180% | | | |
| | | Constant current limiting, recovers automatically after fault condition is removed | | | |
| | Short Circuit | Hiccup mode, recovers automatically after fault condition is removed. | | | |
| | Over Voltage | 13~15.6V | 25.2~31.2V | 37.5~46.8V | 50.2~62.4V |
| | Shut down o/p voltage, re-power on to recover. | | | | |
| Ambient | Over Temperature | Auto Restore. | | | |
| | Working TEMP. | Ta:-20~+40 C (Please refer to "Derating Curve" section) | | | |
| | MAX. Case TEMP. | Tc:85 C | | | |
| | Working Humidity | 20~95%RH Non-condensing | | | |
| | Storage TEMP. Humidity | -25~+60 C, 10~95%RH Non-condensing | | | |
| | TEMP. Coefficient | ±0.03%/(0~40 C) | | | |
| Life | Vibration | 10 ~ 500Hz, 5G 12min./1cycle, period for 72min. each along X, Y, Z axes | | | |
| | Lifetime | >50000h@Tc=40 C, full load | | | |
| Safety | MTBF | 214.1Khrs min. MIL-HDBK-217F(25 C) | | | |
| | Safety Standards | EN61347-2-13, EN61347-1 approved | | | |
| | Withstand Voltage | I/P-O/P: 3KVAC/1MIN | | | |
| | Harmonic | EN61000-3-2 Class C EN61000-3-3 | | | |
| | EMC EMISSION | Compliance to EN55015, EN61547 | | | |
| Other | EMC IMMUNITY | Compliance to EN61000-4-11 Criteria B, EN61000-4-2,3,4,5,6,8 Criteria A | | | |
| | Dimenions(LxWxH) | 325.3 x 60.7 x 35.3 mm | | | |
| Note | Packing | 320g/pcs; 35.5 x 28.5 x 22.5 cm; 20pcs/carton | | | |
| | | 1. Tested at full load,230Vac. Refer to"Power Factor" and "Efficient"curve graphs. 2. Ripple & noise are measured at 20MHz of bandwidth by using a 12" twisted pair-wire terminated with a 0.1uf & 47uf parallel capacitor. 3. All parameters NOT specially mentioned are measured at nominal voltage input, rated load and 25 C of ambient temperature. 4. Length of set up time is measured at first cold start. Turning ON/OFF the driver may lead to increase of the set up time. | | | |

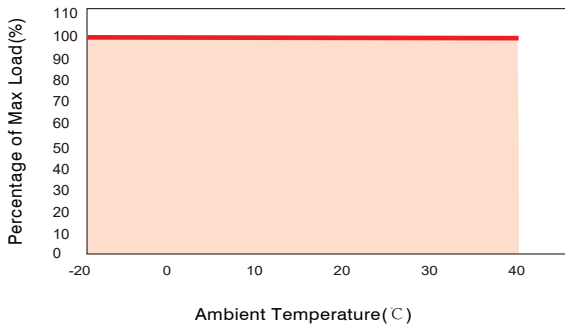
File last modification time: 2026-1-8

DLCV200 SERIES

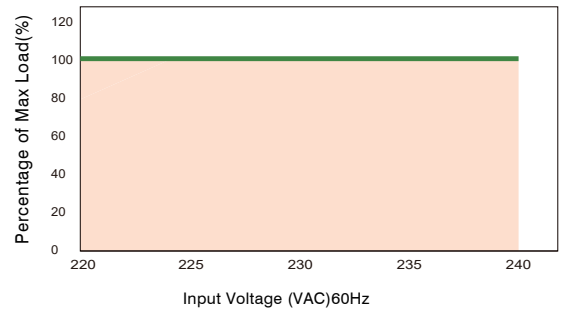
200W

Feature Curves

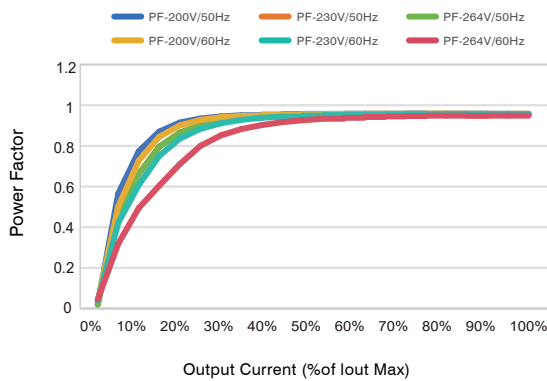
1. Derating Curve



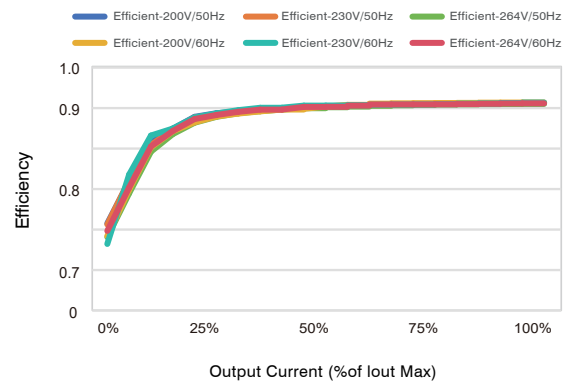
2. Static Characteristics



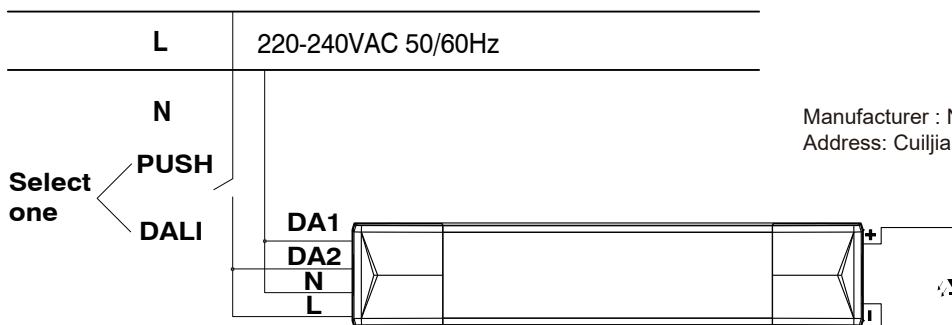
3. Power Factor Curve



4. Efficiency Curve



Wiring Diagram



Manufacturer : Ninghai Yingjiao Electrical Co.,Ltd.
 Address: Cuijia, Xidian Town, Ninghai, Ningbo 315613, China

FORTEC

GROUP

Our company network supports you worldwide with offices in Germany, Austria, Switzerland, the UK and the USA. For more information please contact:

FORTEC

GROUP

FORTEC Elektronik AG | Augsburgener Straße 2b | 82110 Germering
+49 89 894450-0
info@fortecag.de | www.fortecag.de

FORTEC

INTEGRATED

FORTEC Integrated GmbH | Augsburgener Straße 2b | 82110 Germering
+49 89 894363-0
info@fortec-integrated.de | www.fortec-integrated.de

FORTEC

POWER

FORTEC Power GmbH | Lise-Meitner-Straße 3 | 64560 Riedstadt
+49 6158 8285-0
weborder@fortec-power.de | www.fortec-power.de

FORTEC

EGYPT

FORTEC Electronic Design and Solution Egypt SMLC | Linx Business Park
Unit B318 | Smart Village | Giza Governorate
info@fortec-integrated.de | www.fortec-integrated.de

Autronic Steuer- und Regeltechnik GmbH | Siemensstraße 17
74343 Sachsenheim
+49 7147 24-0
vertrieb@autronic.de | www.autronic.de

FORTEC

CZECH REPUBLIC

FORTEC Czech Republic s.r.o. | Přátelství 275 | 330 02 Dýšina
+49 89 894363-0
info@fortec.cz | www.fortec.cz

FORTEC

UNITED STATES

FORTEC United States, Corp. | 87 Raynor Avenue Unit 1 | Ronkonkoma
NY | 11779 | +1 631 5804360
info@fortec.us | www.fortec.us

FORTEC

SWITZERLAND

FORTEC Switzerland AG | Bahnhofstraße 3 | 5436 Würenlos
+41 44 7446111
info@fortec.ch | www.fortec.ch

FORTEC

UNITED KINGDOM

FORTEC Technology UK Ltd. | Osprey House | 1 Osprey Court
Hinchingsbrooke Business Park | Huntingdon | Cambridgeshire | PE29 6FN
+44 1480 411600
info@fortec.uk | www.fortec.uk