

Datasheet

YSL40 SERIES

FORTEC
UNITED STATES

FORTEC
INTEGRATED

FORTEC
UNITED KINGDOM

The information contained in this document has been carefully researched and is, to the best of our knowledge, accurate. However, we assume no liability for any product failures or damages, immediate or consequential, resulting from the use of the information provided herein. Our products are not intended for use in systems in which failures of product could result in personal injury. All trademarks mentioned herein are property of their respective owners. All specifications are subject to change without notice.

YSL40 SERIES



Input: 220-240V 50/60Hz
Output Voltage: 12V,24V,36V,48V
Rated Power: 40W max

Features

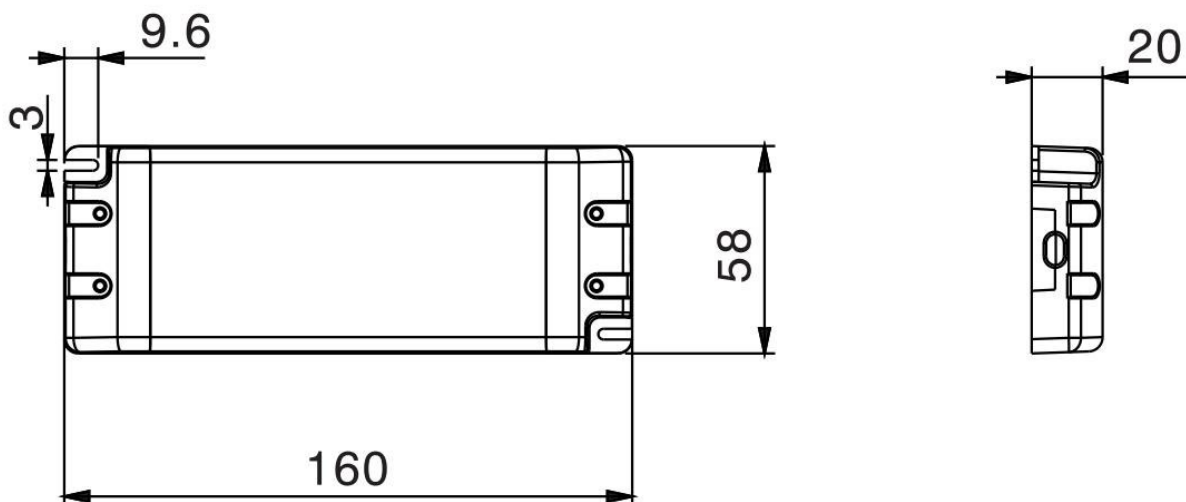
- Independent Power Supply
- flicker-free Design
- Terminal block for Quick Connection
- Protections: Over Voltage, Overload, Short Circuit
- Class II Protection Design
- ERP :EU2019/2020



Application

- LED strips
- LED indoor lighting
- LED decorative lighting
- LED building lighting

■ Dimensions and Installation

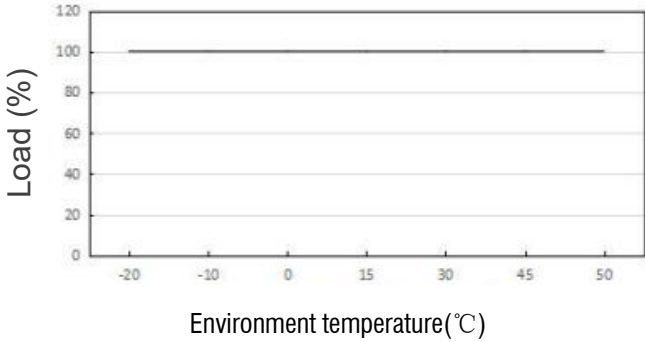


YSL40 SERIES

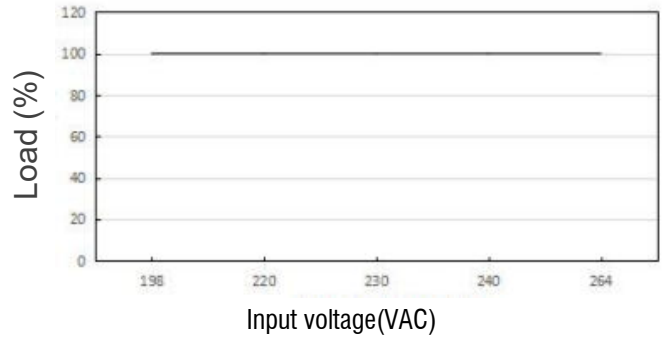
MODEL DETAIL SPEC.		YSL40-1203330	YSL40-2401660	YSL40-3601100	YSL40-4800830
INPUT	Input Voltage:	220-240VAC			
	Range of Input Voltage:	198-264VAC			
	Input Frequency:	50/60Hz			
	Input Current:	0.3A MAX@Full Load			
	Inrush Current:	< 65 Amps at 230VAC/50Hz@full load			
	Leakage Current:	< 0.25mA/240VAC			
	THD (Full load):	< 20%			
	Unload Power Consumption:	< 0.5W			
	Efficiency:	88%			
	Power Factor:	≥0.9@Full Load 220-240VAC			
OUTPUT	DC Voltage:	12V	24V	36V	48V
	Rated Current(Max):	3.33A	1.66A	1.1A	0.83A
	Rated Power(Max):	40W	40W	40W	40W
	Voltage Tolerance:	±5%			
	Ripple and Noise:	400mVp-p	400mVp-p	400mVp-p	400mVp-p
	Line Regulation:	±3%			
	Load Regulation:	±5%			
	Setup, Rise, Hold Up Time:	1s, 10ms/60ms 230VAC @ full load			
ENVIRONMENTAL	Operating Temperature Ta:	-20 °C ~ +45°C			
	Storage Temp:	-40°C ~ +85°C			
	Maximum Case Temperature Tc:	+85°C			
	Humidity:	20 ~ 95% RH			
	Lifetime:	>30000hours@ta 40°C			
PROTECTION	Over Load:	Yes , Protection type: Auto Restore Protection type: Hiccup mode, recovers automatically after fault condition is removed			
	Over Voltage:	Yes , Protection type: Auto Restore Protection type: Shut down o/p voltage, re-power on to recover			
	Short Circuit:	Yes , Protection type: Auto Restore			
SAFETY & EMC	Safety Regulations:	EN61347-2-13:2014+A1:2017,EN61347-1:2015+A1:2021;EN62493:2015			
	Withstand Voltage:	I/P-O/P:3750VAC			
	Harmonic:	EN61000-3-2 Class C EN61000-3-3			
	EMI:	Compliance to EN55015			
	EMS:	Compliance to EN61547:2009			
OTHER	MTBF:	200,000 Hours Minimum at Full Load at 25°C Ambient			
	Case Material and Size:	Plastic			
	IP Grade:	IP20			
	Size:	160*58*20mm			
	Weight:	200g / pcs			
	Packaging:	100PCS/CTN			

YSL40 SERIES

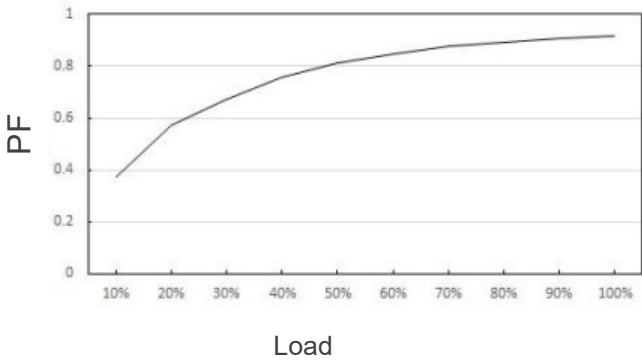
Deduction Curve and Temperature



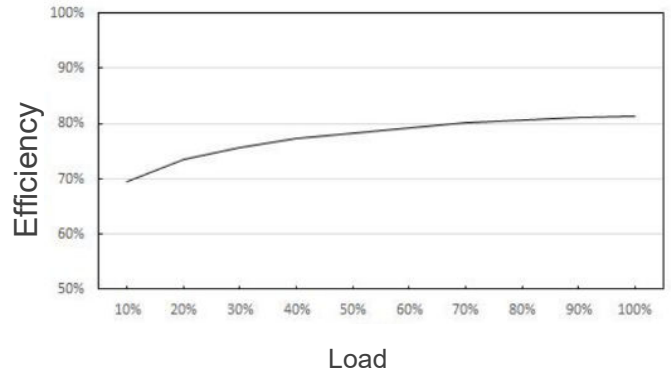
Minus Output and Input Voltage Curves



Power Factor (PF) Curves



Efficiency Vs Load



Wiring Diagram



Manufacturer's address:

Cuijia, Xidian Town, Ninghai, Ningbo 315613, China

Tel: +86-574-87563856

<https://www.yingjiaodriver.com>

FORTEC

GROUP

Our company network supports you worldwide with offices in Germany, Austria, Switzerland, the UK and the USA. For more information please contact:

FORTEC

GROUP

FORTEC Elektronik AG | Augsburgener Straße 2b | 82110 Germering
+49 89 894450-0
info@fortecag.de | www.fortecag.de

FORTEC

INTEGRATED

FORTEC Integrated GmbH | Augsburgener Straße 2b | 82110 Germering
+49 89 894363-0
info@fortec-integrated.de | www.fortec-integrated.de

FORTEC

POWER

FORTEC Power GmbH | Lise-Meitner-Straße 3 | 64560 Riedstadt
+49 6158 8285-0
weborder@fortec-power.de | www.fortec-power.de

FORTEC

EGYPT

FORTEC Electronic Design and Solution Egypt SMLC | Linx Business Park
Unit B318 | Smart Village | Giza Governorate
info@fortec-integrated.de | www.fortec-integrated.de

Autronic Steuer- und Regeltechnik GmbH | Siemensstraße 17
74343 Sachsenheim
+49 7147 24-0
vertrieb@autronic.de | www.autronic.de

FORTEC

CZECH REPUBLIC

FORTEC Czech Republic s.r.o. | Přátelství 275 | 330 02 Dýšina
+49 89 894363-0
info@fortec.cz | www.fortec.cz

FORTEC

UNITED STATES

FORTEC United States, Corp. | 87 Raynor Avenue Unit 1 | Ronkonkoma
NY | 11779 | +1 631 5804360
info@fortec.us | www.fortec.us

FORTEC

SWITZERLAND

FORTEC Switzerland AG | Bahnhofstraße 3 | 5436 Würenlos
+41 44 7446111
info@fortec.ch | www.fortec.ch

FORTEC

UNITED KINGDOM

FORTEC Technology UK Ltd. | Osprey House | 1 Osprey Court
Hinchingsbrooke Business Park | Huntingdon | Cambridgeshire | PE29 6FN
+44 1480 411600
info@fortec.uk | www.fortec.uk