

YLE-40W-CC SERIES



Input: 220-240V 50-60Hz
Output Current: 600mA,700mA,800mA, 900mA,1050mA
Rated Power: 40W max

Features

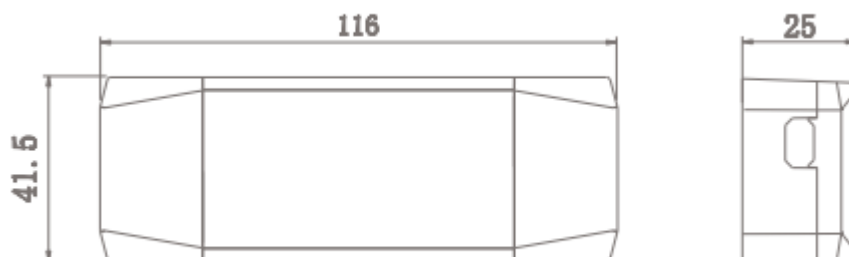
- Super compact , Independent Power Supply
- flicker-free Design
- Power Factor: 0.95
- Efficiency: ≥89%
- Protections: Short Circuit/Overload/ Over Voltage/Over Temperature
- Class II Protection Design
- ERP :EU2019/2020
- 5 years warranty
- IP20



Application

- LED panel
- LED down light
- LED spot light

■ Dimensions and Installation



YLE-40W-CC SERIES

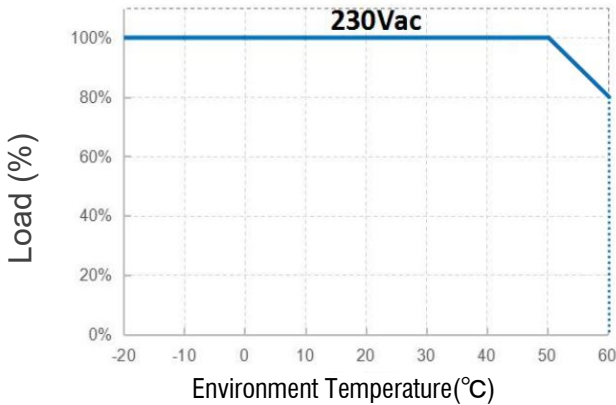
MODEL DETAIL SPEC.		YLE40-600	YLE40-700	YLE40-800	YLE40-900	YLE40-1050
INPUT	Input Voltage:	220-240VAC				
	Range of Input Voltage:	198-264VAC				
	Input Frequency:	50-60Hz				
	Displacement factor	≥ 0.9				
	Power Factor:	≥ 0.95@Full Load 230VAC				
	Input Current max (mA)	170	200	230	260	290
	Efficiency(Typ.)	≥ 89%@Full load,230V				
	Start-up time	< 0.5S				
	THD(typ.)	< 12%		< 10%		< 5%
	No Load Power	≤ 0.5W				
	Standby Power	≤ 0.5W				
OUTPUT	Constant Current (mA)	600	700	800	900	1050
	Voltage Range(VDC)	24-42				24-38.5
	Unload voltage Max.(VDC)	50				52
	Output Current Tolerance	± 5%				
	Output Power(Typ.)	40W				
	Output HF current ripple(> 1KHz)	± 5%				
	Output LF current ripple(< 120Hz)	± 5%				
	SVM	≤ 0.4				
	Pst	≤ 1				
ENVIRONMENTAL	Operating Temperature Ta:	-20°C ~ +45°C				
	Storage Temp:	-25°C ~ +60°C				
	Maximum Case Temperature Tc :	+80°C				
	Humidity:	20 ~ 90% RH				
	Lifetime:	> 50,000h@Tc=75°C				
PROTECTION	Over Load:	103-120%				
		Yes/Auto Restore				
	Over Voltage:	50				52
		Yes/Auto Restore				
SAFETY & EMC	Short Circuit:	Yes/Auto Restore				
	Over Temperature	Yes/Auto Restore				
	Safety Regulations:	EN61347-2-13:2014+A1:2017,EN61347-1:2015+A1:2021;EN62493:2015				
	Withstand Voltage:	I/P-O/P:3750VAC				
	Harmonic:	EN61000-3-2 Class C EN61000-3-3				
OTHER	EMI:	Compliance to EN55015				
	EMS:	Compliance to EN61547:2009				
	MTBF:	200,000 Hours Minimum at Full Load at 25°C Ambient				
	Case Material and Size:	Plastic				
IP Grade:	IP20					
Size:	116*41.5*25mm±1mm					

YLE-40W-CC SERIES

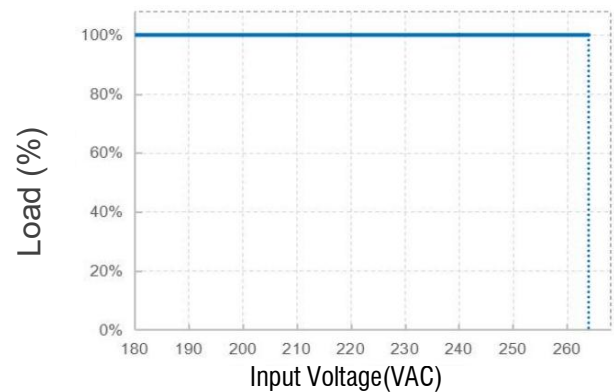
Note:

- 1.All parameters not specially mentioned are measured at 230VAC input, full load and 25°C of ambient temperature.
- 2.Ripple & Noise are measured at 20MHz of bandwidth by using a 300mm twisted pair-wire terminated with a 0.1uF & 47 uF parallel capacitor.
- 3.Data are typical values obtained from test samples, Tested at full load,230Vac.Refer to"Power Factor"and "Efficient"curve graphs.
- 4.Switch and dimmer are not recommended to connect between this product output and luminaries.
- 5.The power supply is considered as a component that will be operated in combination with final equipment. Since EMC performance will be affected by the complete installation, the final equipment manufacturers must re-qualify EMC Directive on the complete installation again.

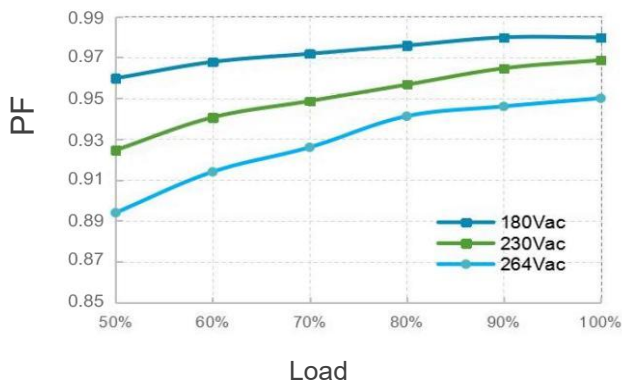
Deduction Curve and Temperature



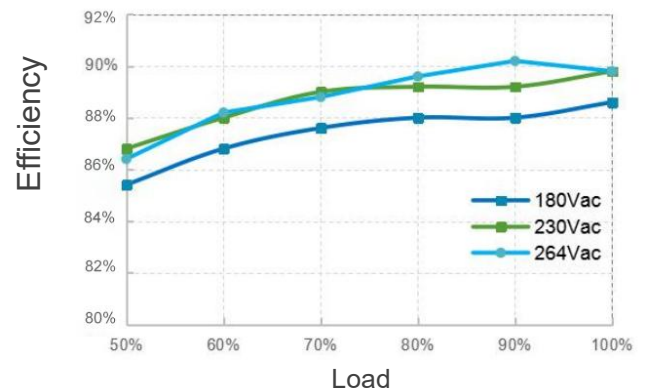
Minus Output and Input Voltage Curves

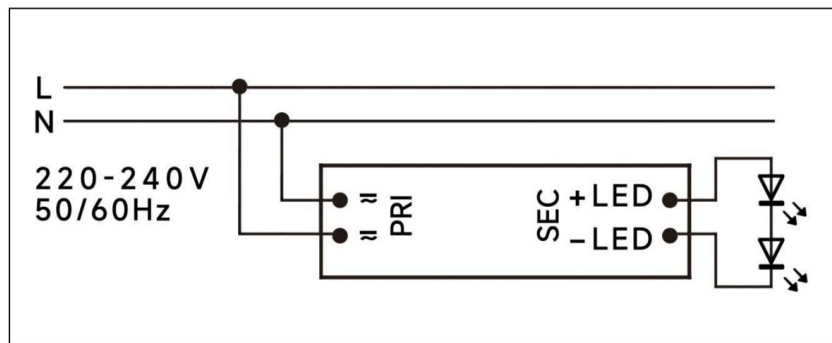


Power Factor (PF) Curves



Efficiency Vs Load



YLE-40W-CC SERIES
Wiring Diagram

Wiring & Connections

Specification item		Value (Unit)
Input	Input wire cross-section	0.5...1.5 mm ²
	Input wire gauge.	16...20 AWG
	Input wire strip length	7...9mm
Output	Output wire cross-section	0.5...1.5 mm ²
	Output wire gauge.	16...20 AWG
	Output wire strip length	7...9mm

Manufacturer's address:

Cuijia, Xidian Town, Ninghai, Ningbo 315613, China

Tel: +86-574-87563856

<https://www.yingjiaodriver.com>