



OUR GLOBAL
COMPETENCE
CENTRES

 APOLLO DISPLAY
TECHNOLOGIES



 DISTEC



 DISPLAY
TECHNOLOGY



Datasheet

Tianma

HA\$') ? J < ; \$ % (\$

VÖ € EFF

MODEL NO : TM035KVHG01**MODEL VERSION: 40****SPEC VERSION : 2.2****ISSUED DATE: 2019-10-17**

- Preliminary Specification
- Final Product Specification

Customer : _____

Approved by	Notes

TIANMA Confirmed :

Prepared by	Checked by	Approved by
Junwen Du	Longping Deng	KimMin Hong

This technical specification is subjected to change without notice

Table of Contents

Table of Contents	2
Record of Revision.....	3
1 General Specifications	4
2 Input/Output Terminals	5
3 Absolute Maximum Ratings	8
4 Electrical Characteristics	9
5 Timing Chart.....	12
6 Capacitive Touch Panel	17
7 Optical Characteristics.....	20
8 Environmental / Reliability Test.....	23
9 Mechanical Drawing.....	24
10 Packing Drawing.....	25
11 Precautions for Use of LCD Modules.....	27

Record of Revision

Rev	Issued Date	Description	Editor
2.0	2018-07-08	Final specification release	Junwen Du
2.1	2018-10-12	Update the mechanical drawing	Junwen Du
2.2	2019-10-17	Update the mechanical drawing --- change the tape	Junwen Du

1 General Specifications

Feature		Spec
Display Spec.	Size	3.5"
	Resolution	320(RGB) x 240
	Technology Type	a-Si TFT
	Pixel Configuration	R.G.B. Vertical Stripe
	Pixel pitch(mm)	0.219x0.219
	Display Mode	TM with Normally White
	Surface Treatment	Up Polarizer: Clear Type
	Viewing Direction	12 o'clock
	Gray Scale Inversion Direction	6 o'clock
Mechanical Characteristics	LCM (W x H x D) (mm)	LCM: 76.9 x63.9 x2.8
		CTP+LCM: 79.9x68.9x4.38
	Active Area(mm)	TFT LCD: 70.08(W)x52.56(H)
		CTP: 71.08(W)x53.56(H)
	CTP Touch Method	Bare finger
	Number of simultaneous touches	5 points
	Minimum Touch Area	Φ6
	Finger Touch Pitch	11
	CTP Structure	GG
	With /Without TSP	With CTP
	Matching Connection Type	LCM:04-6240-054-025-846+
		CTP:FH34SRJ-6S-0.5SH
	LED Numbers	6 LEDs
Weight (g)	45	
Electrical Characteristics	Interface	RGB24bit+SPI
	Color Depth	16.7M
	Driver IC	CTP: ST1633i
		TFT: ILI9322

Note 1: Viewing direction for best image quality is different from TFT definition. There is a 180 degree shift.

Note 2: Requirements on Environmental Protection: Q/S0002

Note 3: LCM weight tolerance: ± 5%

2 Input/Output Terminals

2.1 TFT LCD Pin Assignment

Recommend connector type: 04-6240-054-025-846+

Pin No.	Symbol	I/O	Function	Remark
1,2	LED_Cathode	I	LED_Cathode	
3,4	LED_Anode	I	LED_Anode	
5	NC	-	No Connect	
6	RESET	I	Reset	
7	NC	-	No Connect	
8	NC	-	No Connect	
9	NC	-	No Connect	
10	NC	-	No Connect	
11	NC	-	No Connect	
12	D00	I	Data 00	
13	D01	I	Data 01	
14	D02	I	Data 02	
15	D03	I	Data 03	
16	D04	I	Data 04	
17	D05	I	Data 05	
18	D06	I	Data 06	
19	D07	I	Data 07	
20	D08	I	Data 08	
21	D09	I	Data 09	
22	D10	I	Data 10	
23	D11	I	Data 11	
24	D12	I	Data 12	
25	D13	I	Data 13	
26	D14	I	Data 14	
27	D15	I	Data 15	
28	D16	I	Data 16	
29	D17	I	Data 17	
30	D18	I	Data 18	
31	D19	I	Data 19	

The information contained herein is the exclusive property of TIANMA MICRO-ELECTRONICS Corporation and shall not be distributed, reproduced, or disclosed in whole or in part without prior written permission of TIANMA MICRO-ELECTRONICS Corporation.

32	D20	I	Data 20	
33	D21	I	Data 21	
34	D22	I	Data 22	
35	D23	I	Data 23	
36	HSYNC	I	Horizontal Synchronous Signal	
37	VSYNC	I	Vertical Synchronous Signal	
38	CLK	I	Data Clock	
39	NC	-	No Connect	
40	NC	-	No Connect	
41	VDD	P	power supply	
42	VDD	P	power supply	
43	SPENA	I	Serial port data enable signal	
44	NC	-	No Connect	
45	NC	-	No Connect	
46	NC	-	No Connect	
47	NC	-	No Connect	
48	NC	-	No Connect	
49	SPCK	I	SPI Serial Clock	
50	SPDA	I/O	SPI Serial Data Input/output	
51	NC	-	No Connect	
52	DEN	I	Data enabling signal	
53	GND	P	Ground	
54	GND	P	Ground	

Note1: I=Input O=Output, P=Power .

2.2 CTP Pin Assignment

Recommend connector type: FH34SRJ-6S-0.5SH

Pin No.	Symbol	Description	Remark
1	VDD	CTP power supply	--
2	GND	Ground	--
3	I2C RESET	Interrupt line, active low	--
4	SCL	I2C clock input	Note 1
5	SDA	I2C data input and output	Note 1
6	Global RESET (RESET)	Reset pin, active low	--

Note 1: On SDA and SCL there be pull-up resistors on customer's main board.

3 Absolute Maximum Ratings

GND=0V

Item	Symbol	MIN	MAX	Unit	Remark
Power Voltage	VCC	-0.5	5.0	V	Note1
Input voltage	V _{IN}	-0.5	5.0	V	
Operating Temperature	Top	-20	70	°C	
Storage Temperature	Tst	-30	80	°C	
Relative Humidity Note2	RH	--	≤95	%	Ta ≤ 40°C
		--	≤85	%	40°C < Ta ≤ 50°C
		--	≤55	%	50°C < Ta ≤ 60°C
		--	≤36	%	60°C < Ta ≤ 70°C
		--	≤24	%	70°C < Ta ≤ 80°C
Absolute Humidity	AH	--	≤70	g/m ³	Ta > 70°C

Table 3 Absolute Maximum Ratings

Note1: Input voltage include D00~D23, CLK, HSYNC, VSYNC, DEN, RESET, SPENA, SPCK, SPDA.

Note2: Ta means the ambient temperature.

It is necessary to limit the relative humidity to the specified temperature range.
Condensation on the module is not allowed.

4 Electrical Characteristics

4.1 Driving TFT LCD

GND=0V, Ta=25°C

Item	Symbol	MIN	TYP	MAX	Unit	Remark
Power Supply Voltage	VDD	2.7	3.3	3.6	V	
Input Signal Voltage	Low Level	V _{IL}	GND	-	0.3*VCC	V
	High Level	V _{IH}	0.7*VCC	-	VCC	V
Output Signal Voltage	Low Level	V _{OL}	GND	-	0.2*VCC	V
	High Level	V _{OH}	0.8*VCC	-	VCC	V
(Panel+LSI) Power Consumption	Black Mode(60HZ)		-	45.5	mW	
	Standby Mode		-	1.85	mW	

4.2 Driving Backlight

Item	Symbol	MIN	TYP	MAX	Unit	Remark
Forward Current	I_F	--	20	25	mA	For each LED
Forward Voltage	V_F	3.0	3.2	3.6	V	
Backlight Power Consumption	W_{BL}	--	384	540	mW	
Operating Lifetime	--	10000	20000	--	hrs	Note3

Table 4.2.1 backlight unit electrical characteristics

Note 1: The figure below shows the connection of backlight LED.

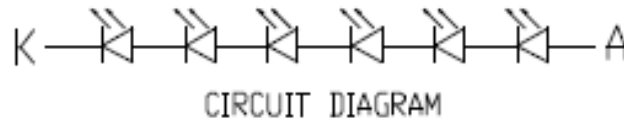


Figure 4.2.1 LED backlight circuit

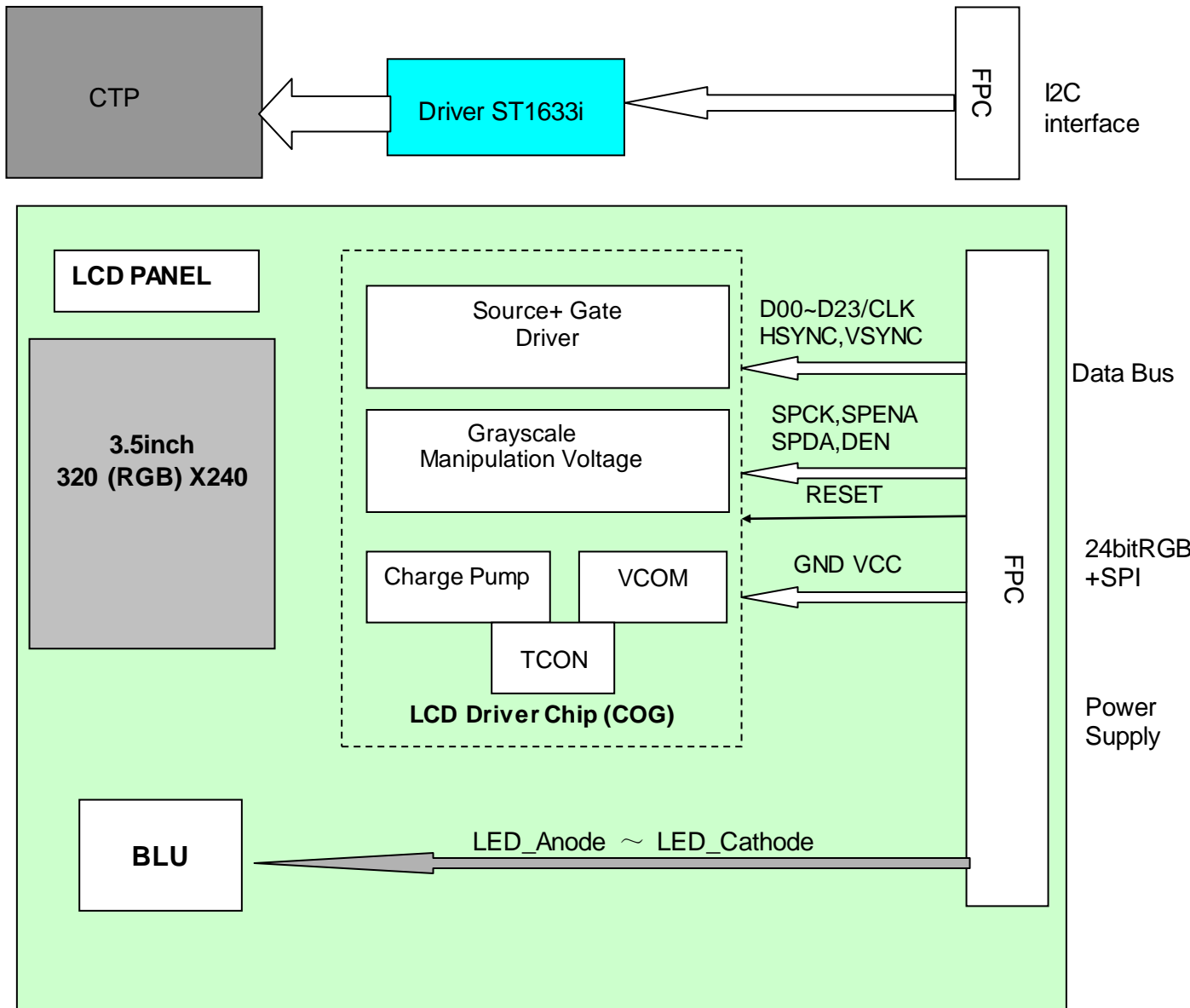
Note 2: One LED : $I_F = 20 \text{ mA}$, $V_F = 3.2 \text{ V}$

Note 3: I_F is defined for one channel LED.

Optical performance should be evaluated at $T_a = 25^\circ \text{C}$ only.

If LED is driven by high current, high ambient temperature & humidity condition. The life time of LED will be reduced. Operating life means brightness goes down to 50% initial brightness. Typical operating life time is estimated data.

4.3 Block Diagram



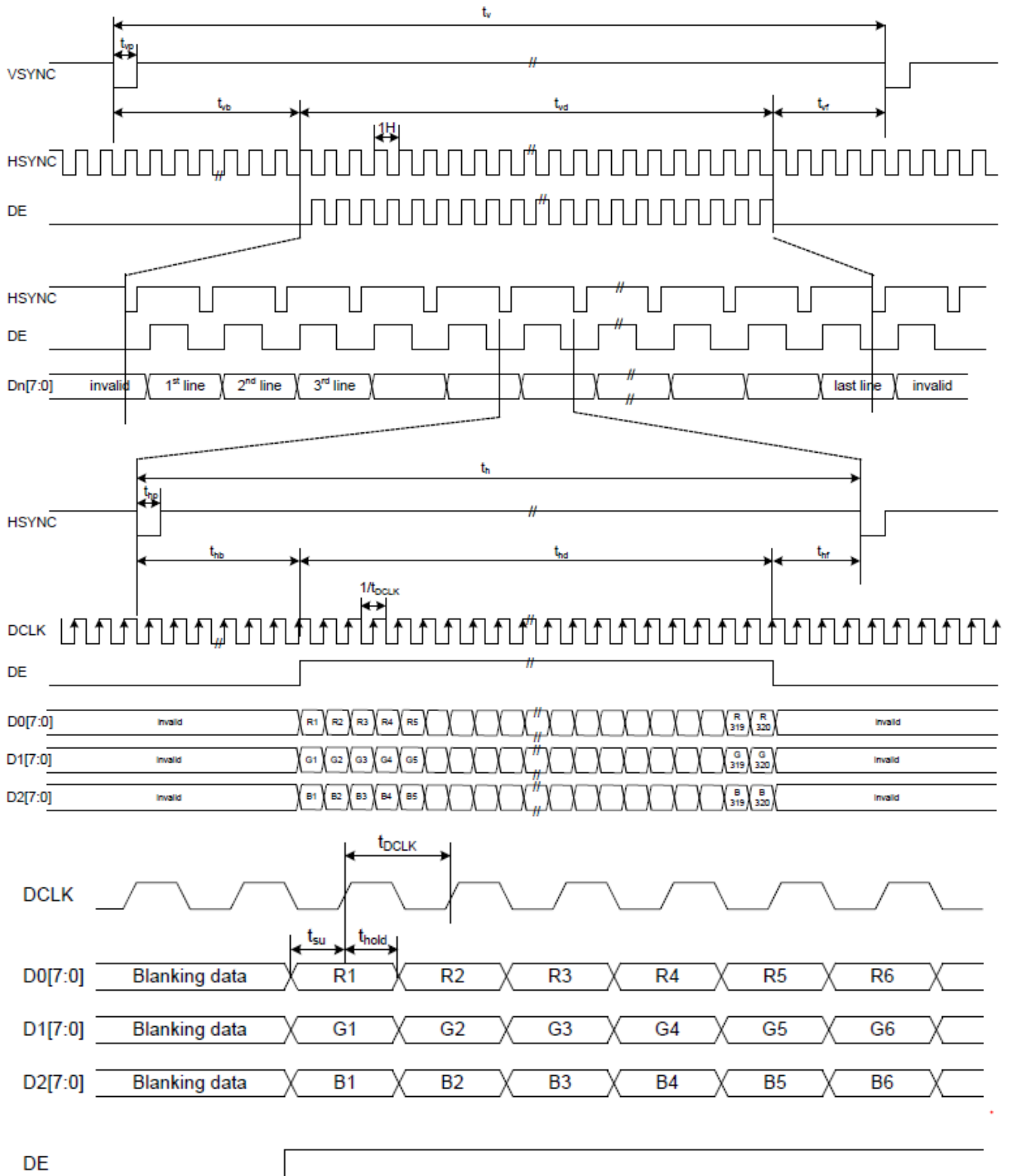
5 Timing Chart

5.1 24bit RGB Mode for 320RGB x 240

(VCC=3.3V GND=0V, Ta=25°C)

Parameter	Symbol	Min	Typ	Max	Unit	Condition
DCLK Frequency	1/tDCLK	-	6.4	11	MHz	
Horizontal Period	th	-	408	-	tDCLK	
Horizontal Display Period	thd	320	320	320	tDCLK	
Horizontal Back Porch	thb	-	38	-	tDCLK	
Horizontal Front Porch	thf	-	50	-	tDCLK	
Horizontal Pulse Width	hp	1	1	-	tDCLK	
Vertical Period	tv	-	262	-	th	
Vertical Display Period	tvd	240	240	240	th	
Vertical Back Porch	tvb	2	18	-	th	
Vertical Front Porch	tvf	2	4	-	th	
Vertical Pulse Width	tvp	1	1	-	th	
Data setup time	tsu	12	-	-	ns	
Data hold time	thold	12	-	-	ns	

Note: Horizontal Back porch + Horizontal front porch >= 50

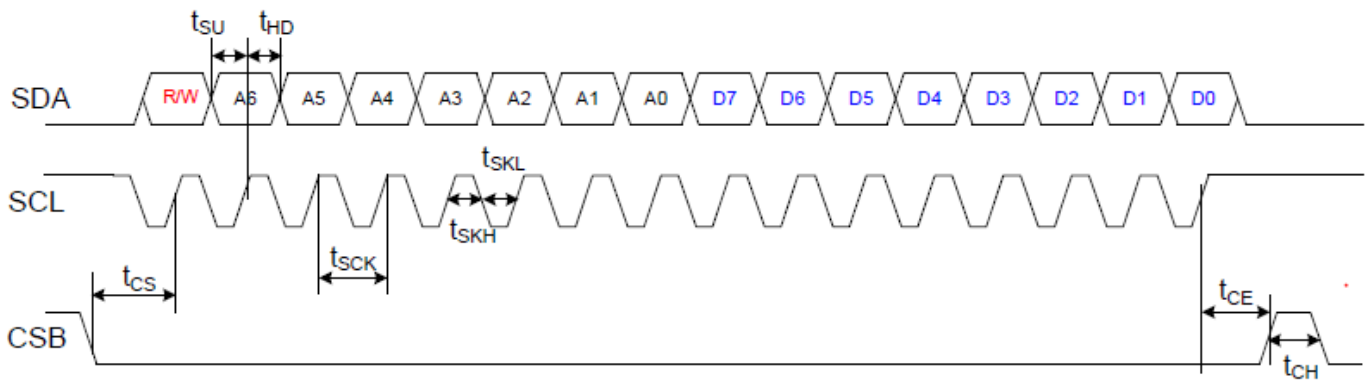


The information contained herein is the exclusive property of TIANMA MICRO-ELECTRONICS Corporation and shall not be distributed, reproduced, or disclosed in whole or in part without prior written permission of TIANMA MICRO-ELECTRONICS Corporation.

5.2 3 wire SPI Timing

SPI Timing Specification

Items	Symbol	Min.	Typ.	Max.	Unit	Note
CSB to SCL Setup time	t_{CS}	50	-	-	ns	
CSB to SCL Hold time	t_{CE}	50	-	-	ns	
SCL Period	t_{SCK}	50	-	-	ns	
SCL High Period	t_{SKH}	25	-	-	ns	
SCL Low Period	t_{SKL}	25	-	-	ns	
Data Setup Time	t_{SU}	15	-	-	ns	
Data Hold Time	t_{HD}	15	-	-	ns	
CSB High Pulse Period	t_{CH}	50	-	-	ns	



R/W=1, Read Mode
 R/W=0, Write Mode

TIANMA

5.3 Power On Sequence

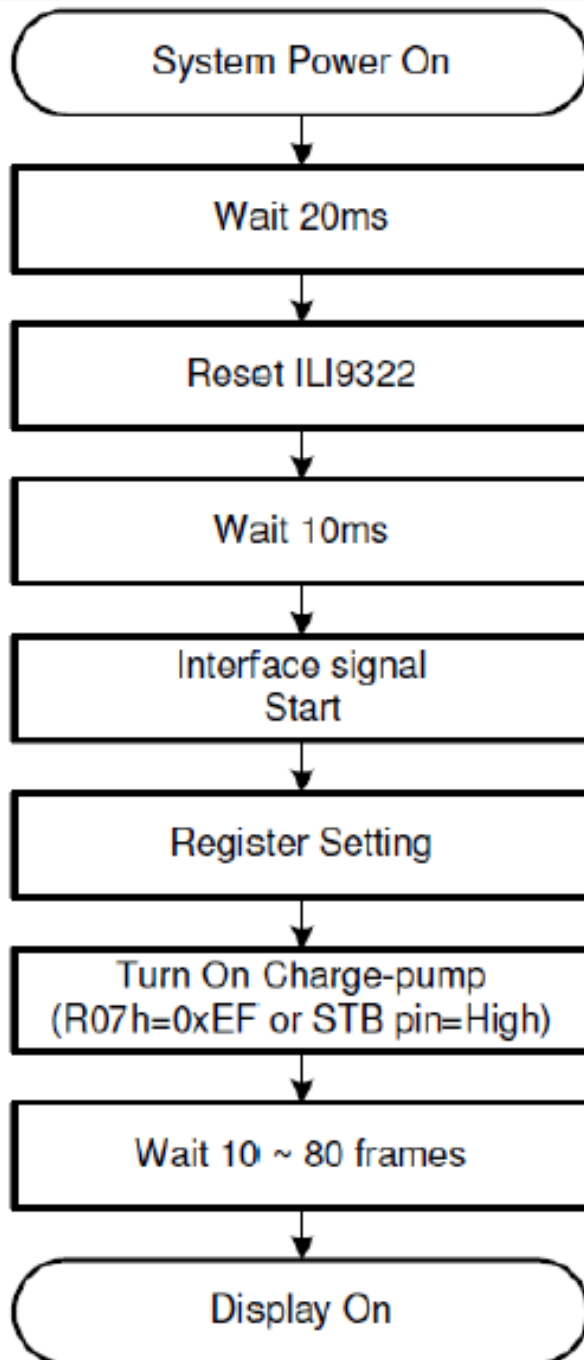


Figure8 Power On Sequence Flow Chart

5.4 Power On Sequence

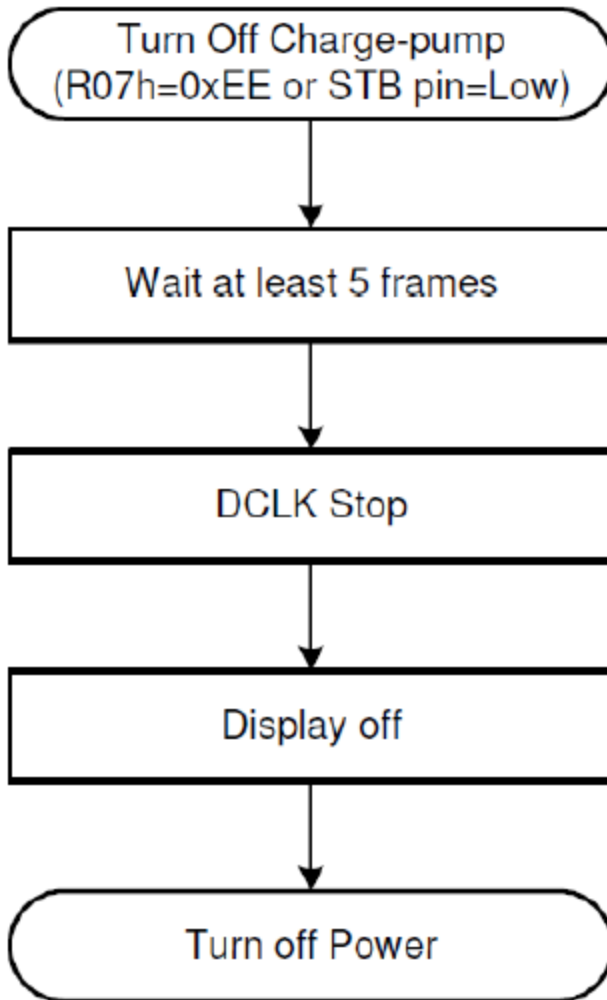


Figure10 Power Off Sequence Flow Chart

6 Capacitive Touch Panel

6.1 Touch Panel Module Characteristics

Item	Description	Note
Driver IC	ST1633I	
Multi Touch Support	5 fingers	Add Gesture
Interface	I2C	
Surface hardness	≥7H	
Slave Address	0X70	
Host SCL,SDA Pull-Up Resistance	On customer's board	

6.2 Absolute Maximum Ratings

Item	Symbol	Min	Typ	Max	Unit	Remark
Operating Temperature	TOP	-20	--	+70	°C	
Storage Temperature	TST	-30		+80	°C	
Input voltage range	VDDTP	-0.3	--	+6.0	V	
Static Electricity	Be sure that you are grounded when handling TP					

Note1: If the module exceeds the absolute maximum ratings, it may be damaged permanently. Also, if the module operated with the absolute maximum ratings for a long time, its reliability may drop.

6.3 DC Electrical Characteristics

Condition: $V_{DD}=IOV_{DD}=3.3V, T_A=25^{\circ}C$, unless be specified individually.

Item	Symbol	Test Condition	MIN	TYP	MAX	Unit	Remark
Power Supply	V_{DDTP}		2.7	3.3	3.6	V	
I/O Power Supply	IOV_{CC}		1.6	3.3	3.6	V	
Input Signal Voltage	High Level	V_{IH}	$0.85 \cdot IOV_{CC}$	--	--	V	
	Low Level	V_{IL}	--	--	$0.15 \cdot IOV_{CC}$	V	
Operating Current	I_{NML}	21TX, 12RX	--	--	21	mA	
Idle Current	I_{IDLE}	21TX, 12RX, scan rate=20Hz	--	--	21	mA	
Power Down Current	I_{PD}		--	--	20	uA	
Input Pull Up Resistor	R_{pu}		50	--	60	Kohm	
Output Driving Current	I_{DRV}	$V_{OH}=IOV_{DD} \times 0.8$	6	--	--	mA	
Output Sinking Current	I_{SINK}	$V_{OL}=IOV_{DD} \times 0.2$	10	--	--	mA	
Low Voltage Reset	V_{LVR}		--	--	2.3	V	

6.4 AC Electrical Characteristics

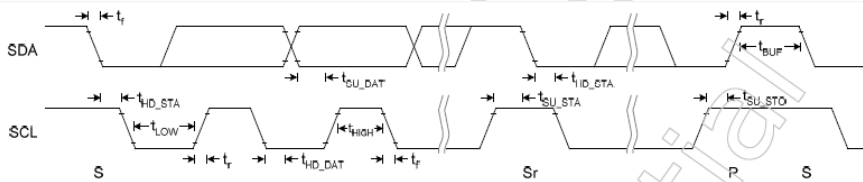


Figure 5-1 I2C Fast Mode Timing

Table 5-3 I2C Fast Mode Timing Characteristic

Conditions: $V_{DD} = 3.3V, GND = 0V, T_A = 25^{\circ}C$

Symbol	Parameter	Rating			Unit
		Min	Typ	Max	
f_{SCL}	SCL clock frequency	0	-	400	kHz
t_{LOW}	Low period of the SCL clock	1.3	-	-	us
t_{HIGH}	High period of the SCL clock	0.6	-	-	us
t_f	Signal falling time	-	-	300	ns
t_r	Signal rising time	-	-	300	ns
t_{SU_STA}	Set up time for a repeated START condition	0.6	-	-	us
t_{HD_STA}	Hold time (repeated) START condition. After this period, the first clock pulse is generated	0.6	-	-	us
t_{SU_DAT}	Data set up time	100	-	-	ns
t_{HD_DAT}	Data hold time	0	-	0.9	us
t_{SU_STO}	Set up time for STOP condition	0.6	-	-	us
t_{BUF}	Bus free time between a STOP and START condition	1.3	-	-	us
C_b	Capacitive load for each bus line	-	-	400	pF

The information contained herein is the exclusive property of TIANMA MICRO-ELECTRONICS Corporation and shall not be distributed, reproduced, or disclosed in whole or in part without prior written permission of TIANMA MICRO-ELECTRONICS Corporation.

6.5 System management

6.5.1 Reset

Master can reset ST1633i through RESET pin. RESET pin is low active and needs hold low for 1us to take effect.

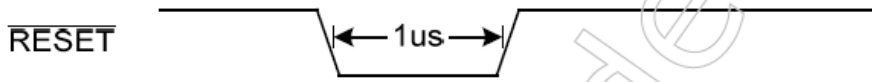


Figure 3-1 $\overline{\text{RESET}}$ Pin Low Pulse Width

6.5.2 Power On/Off Sequence

RESET pin should be held low before power on and power off. During power on, after both VDD and IOVDD reach normal voltage, RESET pin needs to be held low for 5ms to ensure internal block stable.

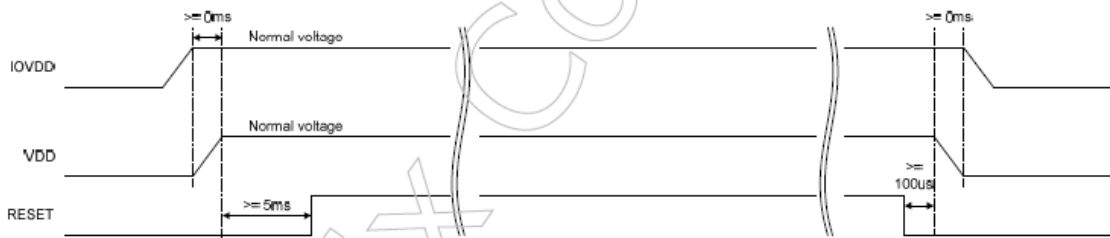


Figure 3-2 Power On/Off Sequence

7 Optical Characteristics

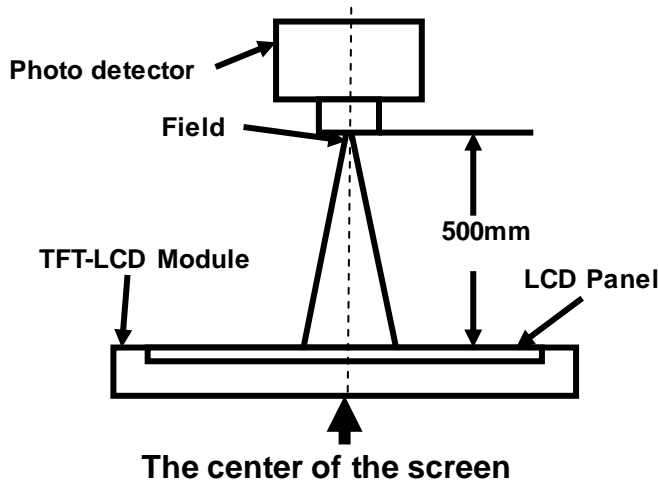
Item	Symbol	Condition	Min	Typ	Max	Unit	Remark
View Angles	θT	$CR \geq 10$	50	60	-	Degree	Note 2,3
	θB		60	70	-		
	θL		60	70	-		
	θR		60	70	-		
Contrast Ratio	CR	$\theta = 0^\circ$	400	500	-		Note 3
Response Time	T_{ON}	25°C	-	20	30	ms	Note 4
	T_{OFF}						
Chromaticity	White	x	Backlight is on	0.263	0.303	0.343	Note 1,5
		y		0.277	0.317	0.357	
	Red	x		0.573	0.613	0.653	Note 1,5
		y		0.303	0.343	0.383	
	Green	x		0.308	0.348	0.388	Note 1,5
		y		0.550	0.590	0.630	
	Blue	x		0.117	0.157	0.197	Note 1,5
		y		0.027	0.067	0.107	
Uniformity	U		75	80		%	Note 6
NTSC			55	60		%	Note 5
Luminance	L		320	400		cd/m ²	Note 7

Test Conditions:

1. $I_F = 20$ mA, and the ambient temperature is 25°C.
2. The test systems refer to Note 1 and Note 2.

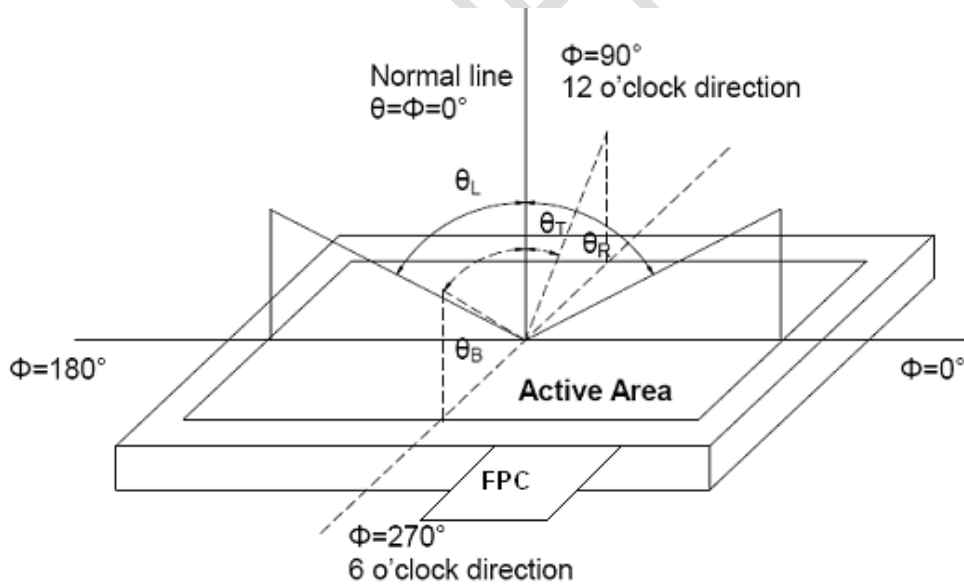
Note 1: Definition of optical measurement system.

The optical characteristics should be measured in dark room. After 5 Minutes operation, the optical properties are measured at the center point of the LCD screen. All input terminals LCD panel must be ground when measuring the center area of the panel.



Note 2: Definition of viewing angle range and measurement system.

viewing angle is measured at the center point of the LCD by CONOSCOPE(ergo-80).



Note 3: Definition of contrast ratio

$$\text{Contrast ratio (CR)} = \frac{\text{Luminance measured when LCD is on the "White" state}}{\text{Luminance measured when LCD is on the "Black" state}}$$

“White state “: The state is that the LCD should drive by V_{white} .

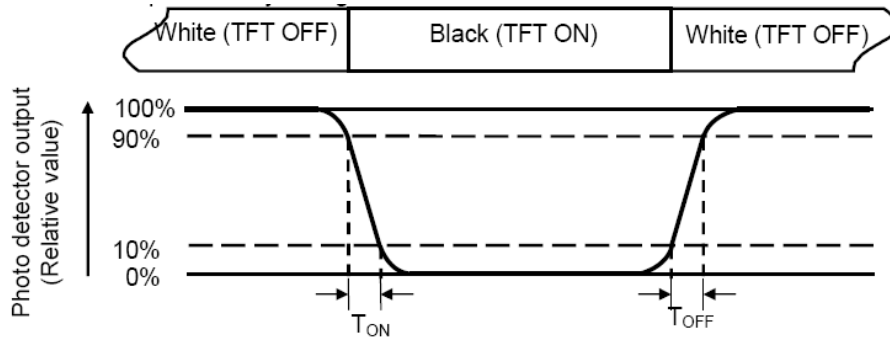
“Black state”: The state is that the LCD should drive by V_{black} .

V_{white} : To be determined V_{black} : To be determined.

The information contained herein is the exclusive property of TIANMA MICRO-ELECTRONICS Corporation and shall not be distributed, reproduced, or disclosed in whole or in part without prior written permission of TIANMA MICRO-ELECTRONICS Corporation.

Note 4: Definition of Response time

The response time is defined as the LCD optical switching time interval between “White” state and “Black” state. Rise time (T_{ON}) is the time between photo detector output intensity changed from 90% to 10%. And fall time (T_{OFF}) is the time between photo detector output intensity changed from 10% to 90%.



Note 5: Definition of color chromaticity (CIE1931)

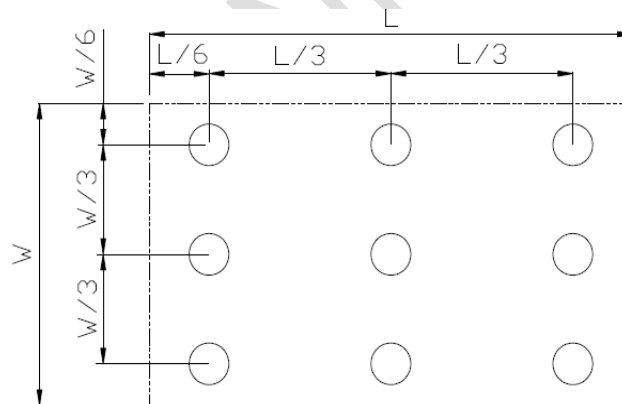
Color coordinates measured at center point of LCD.

Note 6: Definition of Luminance Uniformity

Active area is divided into 9 measuring areas (Refer Fig. 2). Every measuring point is placed at the center of each measuring area.

$$\text{Luminance Uniformity (U)} = L_{\min} / L_{\max}$$

L-----Active area length W----- Active area width



L_{\max} : The measured Maximum luminance of all measurement position.

L_{\min} : The measured Minimum luminance of all measurement position.

Note 7: Definition of Luminance:

Measure the luminance of white state at center point.

8 Environmental/Reliability Test

No	Test Item	Condition	Remarks
1	High Temperature Operation	Ta = +70°C , 240 hours	IEC60068-2-1:2007 GB2423.2-2008
2	Low Temperature Operation	Ta = -20°C , 240 hours	IEC60068-2-1:2007 GB2423.1-2008
3	High Temperature Storage	Ta = +80°C , 240 hours	IEC60068-2-1:2007 GB2423.2-2008
4	Low Temperature Storage	Ta = -30°C , 240 hours	IEC60068-2-1:2007 GB2423.1-2008
5	Storage at High Temperature and Humidity	60°C 90%RH 240H	IEC60068-2-78 :2001 GB/T2423.3—2006
6	Thermal Shock (non-operation)	-30°C , 30min ~80°C , 30min Change time : 5min , 30cycles	Start with cold temperature, End with high temperature, IEC60068-2-14:1984,G B2423.22-2002
7	ESD	C=150pF, R=330Ω,5points/panel Air:± 8KV, 5times, Contact:± 4KV, 5 times, (Environment: 15°C ~ 35°C , 30%~60%, 86Kpa~106Kpa)	IEC61000-4-2:2001 GB/T17626.2-2006
8	Package Vibration	Frequency: 5-20-200HZ, PSD: 0.01-0.01-0.001 Total:0.781g ² /HZ,x/y/z every direction 30min)	IEC60068-2-6:1982 GB/T2423.10—1995
9	Mechanical Shock (Non OP)	Half Sine Wave 60G ,6ms,±X,±Y,±Z 3times for each direction	IEC60068-2-27:1987 GB/T2423.5—1995
10	Package Drop Test	Hight : 60cm , 1corner , 3 edges , 6 surfaces	IEC60068-2-32:1990 GB/T2423.8—1995

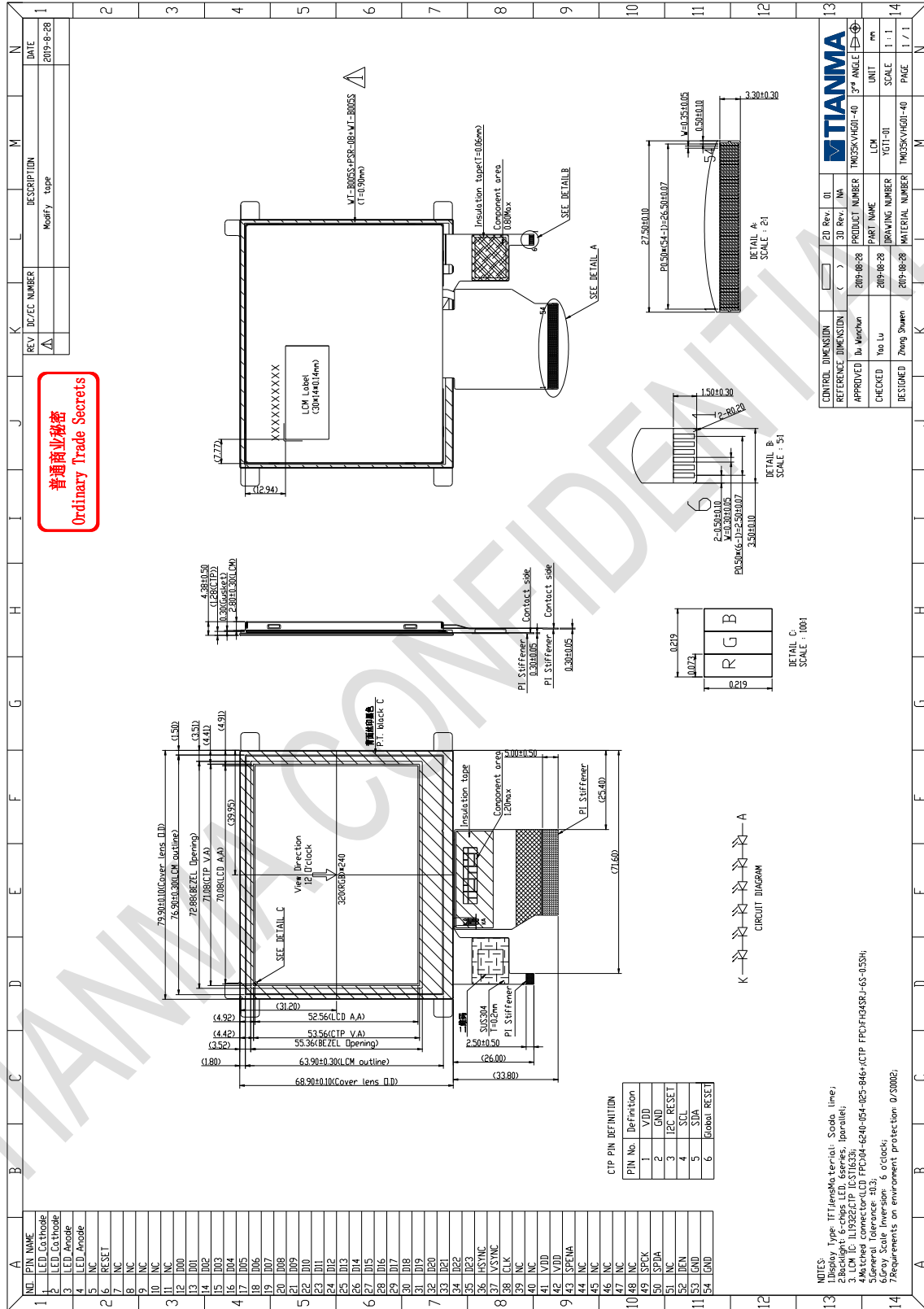
Note1: Ts is the temperature of panel's surface.

Note2: Ta is the ambient temperature of sample.

Note3: Before cosmetic and function test, the product must have enough recovery time, at least 2 hours at room temperature.

Note 4: In the standard condition, there shall be no practical problem that may affect the display function. After the reliability test, the product only guarantees operation, but don't guarantee all of the cosmetic specification.

9 Mechanical Drawing



The information contained herein is the exclusive property of TIANMA MICRO-ELECTRONICS Corporation and shall not be distributed, reproduced, or disclosed in whole or in part without prior written permission of TIANMA MICRO-ELECTRONICS Corporation.

10 Packing Drawing

10.1 Packaging Material

Per Carton

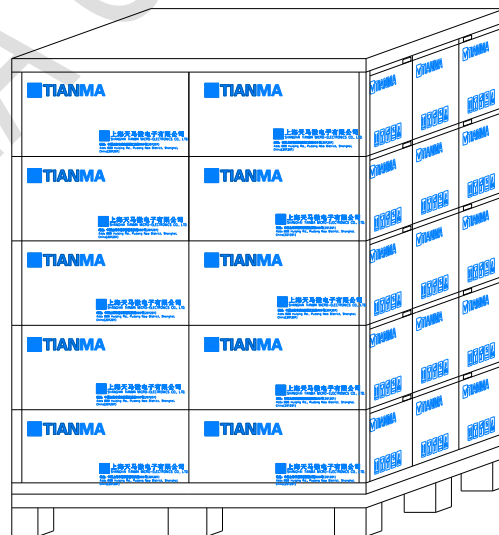
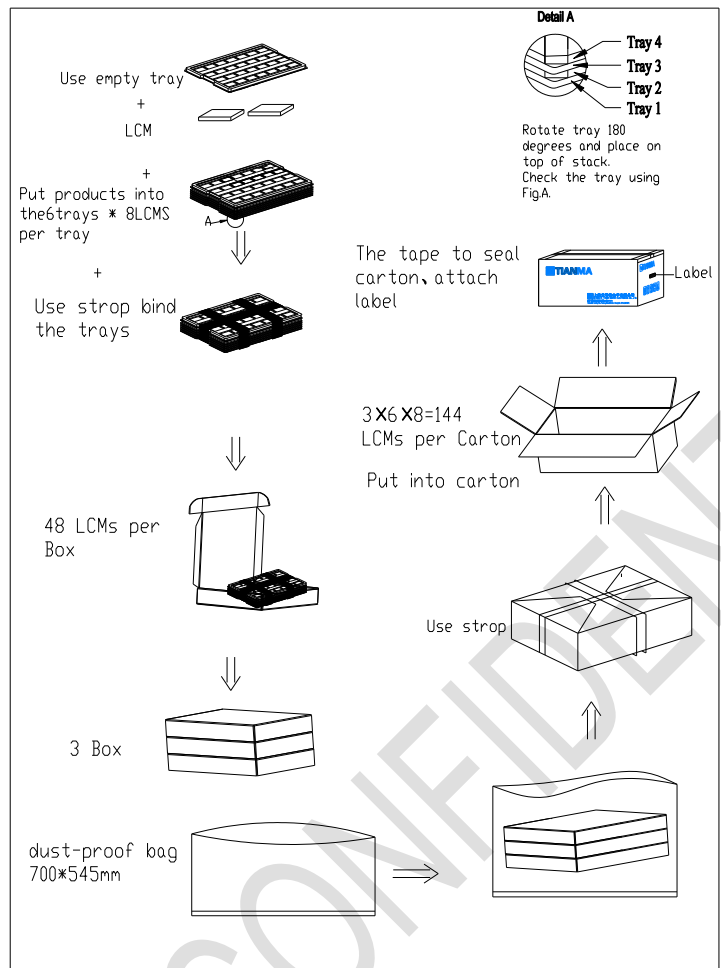
No	Item	Model (Materiel)	Dimensions(mm)	Unit Weight(Kg)	Quantity	Remark
1	LCM module	TM035KVHG01-40	79.9×68.9×4.38	0.045	144	
2	Tray	PET (Transmit)	485×330×16	0.205	21	Anti-static
3	Dust-proof Bag	PE	700×545	0.040	1	
4	BOX	CORRUGATED PAPER	520×345×74	0.39	3	
5	Label	Paper	100×52	0.001	1	
6	Carton	CORRUGATED PAPER	544×365×250	1.01	1	
7	Total weight	13.01Kg±5%				

10.2 Packaging Specification and Quantity

10.2.1 LCM quantity per tray: 2row×4column =8;

10.2.2 Total LCM quantity in Carton: Number of PET trays 18× quantity per tray 8= 144

Note: Please refer to the data from “estimated report about the dimension and stack of Carton” about stacking carton



The information contained herein is the exclusive property of TIANMA MICRO-ELECTRONICS Corporation and shall not be distributed, reproduced, or disclosed in whole or in part without prior written permission of TIANMA MICRO-ELECTRONICS Corporation.

11 Precautions for Use of LCD Modules

11.2 Handling Precautions

11.2.1 The display panel is made of glass. Do not subject it to a mechanical shock by dropping it from a high place, etc.

11.2.2 If the display panel is damaged and the liquid crystal substance inside it leaks out, be sure not to get any in your mouth, if the substance comes into contact with your skin or clothes, promptly wash it off using soap and water.

11.2.3 Do not apply excessive force to the display surface or the adjoining areas since this may cause the color tone to vary.

11.2.4 The polarizer covering the display surface of the LCD module is soft and easily scratched. Handle this polarizer carefully.

11.2.5 If the display surface is contaminated, breathe on the surface and gently wipe it with a soft dry cloth. If still not completely clear, moisten cloth with one of the following solvents:

- Isopropyl alcohol
- Ethyl alcohol

Solvents other than those mentioned above may damage the polarizer. Especially, do not use the following:

- Water
- Ketone
- Aromatic solvents

11.2.6 Do not attempt to disassemble the LCD Module.

11.2.7 If the logic circuit power is off, do not apply the input signals.

11.2.8 To prevent destruction of the elements by static electricity, be careful to maintain an optimum work environment.

10.1.8.1 Be sure to ground the body when handling the LCD Modules.

10.1.8.2 Tools required for assembly, such as soldering irons, must be properly ground.

10.1.8.3 To reduce the amount of static electricity generated, do not conduct assembly and other work under dry conditions.

10.1.8.4 The LCD Module is coated with a film to protect the display surface. Be care when peeling off this protective film since static electricity may be generated.

11.3 Storage precautions

11.3.1 When storing the LCD modules, avoid exposure to direct sunlight or to the light of fluorescent lamps.

11.3.2 The LCD modules should be stored under the storage temperature range. If the LCD modules will be stored for a long time, the recommend condition is:

Temperature : 0°C ~ 40°C Relatively humidity: ≤80%

11.3.3 The LCD modules should be stored in the room without acid, alkali and harmful gas.

11.4 Transportation Precautions

11.4.1 The LCD modules should be no falling and violent shocking during transportation, and also should avoid excessive press, water, damp and sunshine.

Our company network supports you worldwide with offices in Germany, Austria, Switzerland, the UK and the USA. For more information please contact:

Headquarters

Germany



FORTEC Elektronik AG

Augsburger Str. 2b
82110 Germering

Phone: +49 89 894450-0
E-Mail: info@forteca.de
Internet: www.forteca.de

Fortec Group Members

Austria



Distec GmbH Office Vienna

Nuschinggasse 12
1230 Wien

Phone: +43 1 8673492-0
E-Mail: info@distec.de
Internet: www.distec.de

Germany



Distec GmbH

Augsburger Str. 2b
82110 Germering

Phone: +49 89 894363-0
E-Mail: info@distec.de
Internet: www.distec.de

Switzerland



ALTRAC AG

Bahnhofstraße 3
5436 Würenlos

Phone: +41 44 7446111
E-Mail: info@altrac.ch
Internet: www.altrac.ch

United Kingdom



Display Technology Ltd.

Osprey House, 1 Osprey Court
Hichingbrooke Business Park
Huntingdon, Cambridgeshire, PE29 6FN

Phone: +44 1480 411600
E-Mail: info@displaytechnology.co.uk
Internet: www.displaytechnology.co.uk

USA



Apollo Display Technologies, Corp.

87 Raynor Avenue,
Unit 1 Ronkonkoma,
NY 11779

Phone: +1 631 5804360
E-Mail: info@apolloDisplays.com
Internet: www.apolloDisplays.com