



## SSD4887-B V1

### 48.8" Resizing LCD, 1400 nits LED backlight, 1920 x 438 ultra-wide aspect ratio 16:3.6

The SSD4887-B is a 48.8 inch color TFT-LCD display with special aspect ratio 16:3.6 and wide resolution 1920 x 438. It is Litemax's Spanpixel series product which designed for high brightness 1400 nits with power efficiency LED backlight. It provides LCD panel with specific aspect ratios and sunlight readable for digital signage, public transportation, exhibition hall, department store, and vending machine.

#### Key Features

- Resizing LCD
- Ultra-Wide Screen (16 : 3.6)
- High Brightness 1400 nits
- Sunlight Readable
- LED Backlight
- Slim Bezel
- BL MTBF: 100,000 hours



### Specifications

Model Name	SSD4887-B V1
Description	48.8" Resizing LCD, 1400 nits LED backlight, 1920x438
Screen Size	48.8"
Display Area (mm)	1209.6(H) x 275.5(V)
Brightness	1400 cd/m <sup>2</sup>
Resolution	1920x438
Aspect Ratio	16 : 3.6
Contrast Ratio	1500 : 1
Pixel Pitch (mm)	0.63(H) x 0.63(V)
Pixel Per Inch (PPI)	40
Viewing Angle	178°(H), 178°(V)
Color Saturation (NTSC)	81%
Display Colors	16.7M
Response Time (Typical)	8ms
Panel Interface	LVDS
AD Board Input Interface	VGA, DVI-D, HDMI
Input Power	AC100~240V
Power Consumption	84W
OSD Key	4 Keys (Power Switch, Menu, +, -)
OSD Control	Brightness, Color, Contrast, Auto Turing, H/V Position...etc
Dimensions (mm)	1247.2 x 316.1 x 65
Bezel Size(U/B/L/R)	18.3/18.3/16.8/16.8 mm
Weight (Net)	13.5 kg
Mounting	300X75
Operating Temperature	0 °C ~ 50 °C
Storage Temperature	-20 °C ~ 60 °C

SSD= Panel+ LED Driving Board + AD Control Board + Housing

*Specifications are subject to change without notice.*

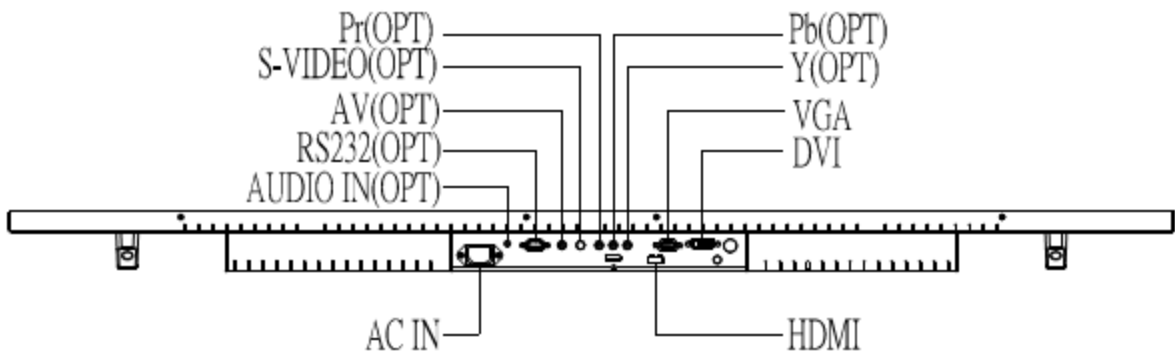
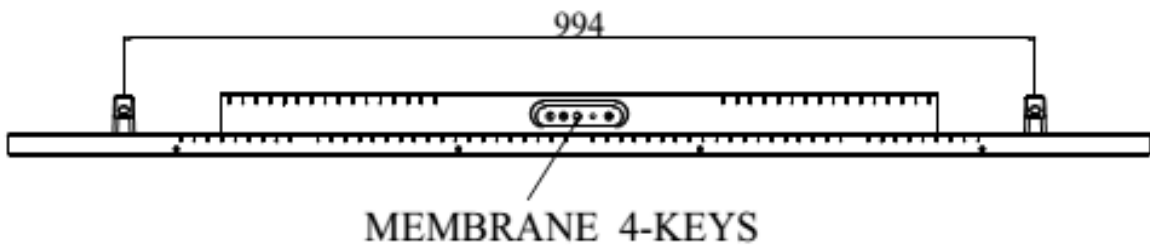
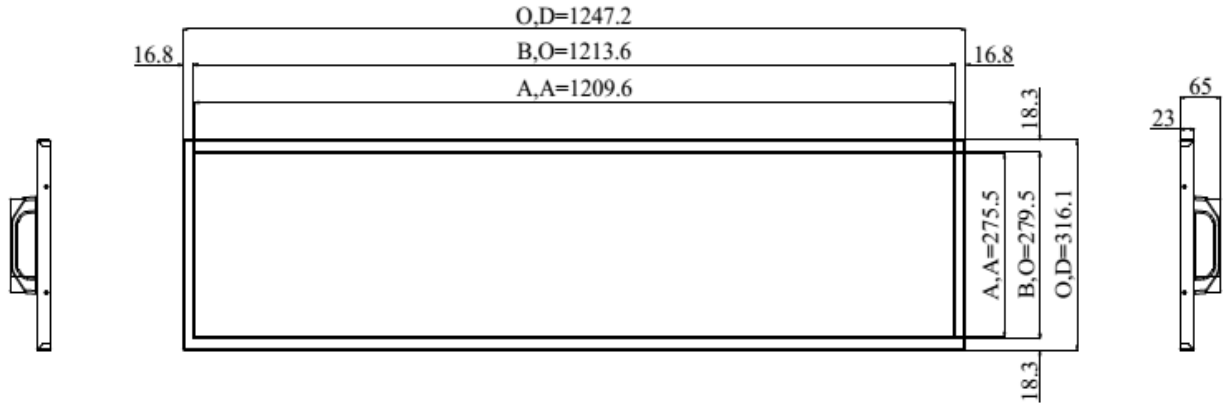
*All brands or product names are trademarks or registered trademarks of their respective companies.*

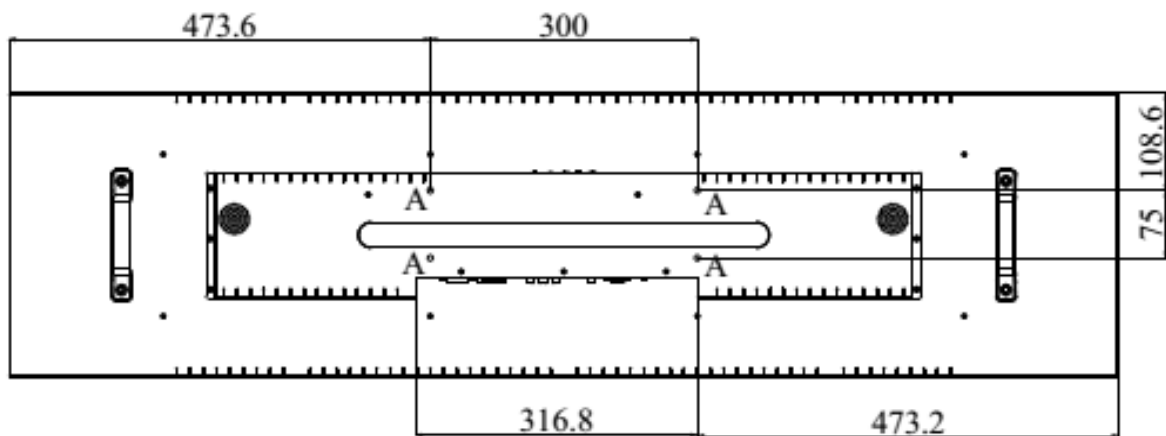
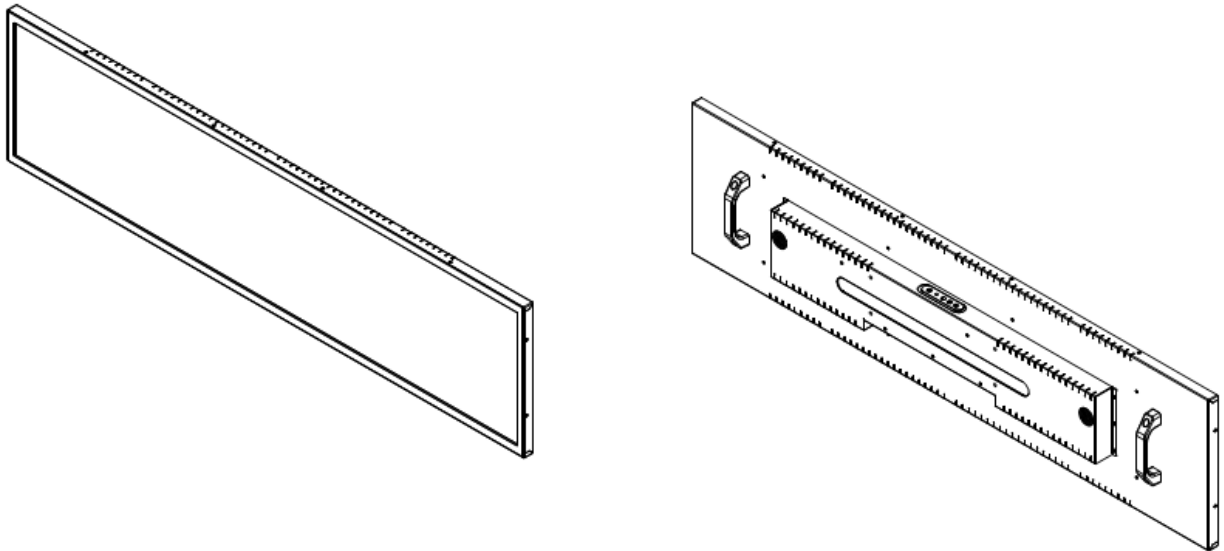


Mechanical Drawing

Outline Dimensions

Unit: mm





**NOTE :**

O.D. : OUTLINE DIMENSION

B.O. : BEZEL OPENING

A.A. : LCD ACTIVE AREA

A : 4-M6\_USER HOLE\_MAX Depth=8mm



### Ordering Information

Part Number	Description
<b>SSD4887-BNB-G01</b>	48.8", 1400nits, 1920*438, LID48A..AD2662GDHM, O/B, AC100~240V, 2IN1, V1

### Optional Accessories

Part Number	Description
<b>810618301010</b>	CABLE.POWER.AC.1830mm USA type
<b>810618301090</b>	CABLE,POWER,AC,1830mm Europe type
<b>810618301050</b>	CABLE.POWER.AC.1830mm UK type
<b>810618301170</b>	CABLE.POWER,AC,1830mm Australia type
<b>810618301031</b>	CABLE.POWER.AC.1830mm Japan type

### By Customer Request

<b>Glass</b>	Tempered glass, AR coating.....
--------------	---------------------------------