



SSD2755-A V1

27.5" Resizing LCD, 1000 nits LED backlight, 1366 x 70 ultra-wide aspect ratio 16:1

The SSD2755-A is a 27.5 inch color TFT-LCD display with special aspect ratio 16:1 and wide resolution 1366 x 70. It is Litemax's Spanpixel series product which designed for high brightness 1000 nits with power efficiency LED backlight. It provides LCD panel with specific aspect ratios and sunlight readable for digital signage, public transportation, exhibition hall, department store, and vending machine.

Key Features

- Resizing LCD
- Ultra-Wide Screen (16 : 1)
- High Brightness 1000 nits
- LED Backlight
- Low Power Consumption
- Slim Bezel
- BL MTBF: 100,000 hours



Specifications

Model Name	SSD2755-A V1
Description	27.5" Resizing LCD, 1000 nits LED backlight, 1366x70
Screen Size	27.5"
Display Area (mm)	697.7(H) x 35.7(V)
Brightness	1000 cd/m ²
Resolution	1366x70
Aspect Ratio	16 : 1
Contrast Ratio	3000 : 1
Pixel Pitch (mm)	0.51075(H) x 0.51075(V)
Pixel Per Inch (PPI)	50
Viewing Angle	178°(H),178°(V)
Color Saturation (NTSC)	80%
Display Colors	16.7M
Response Time (Typical)	6.5ms
Panel Interface	LVDS
AD Board Input Interface	DVI
Input Power	DC12V
Power Consumption	16W
OSD Key	4 Keys (Power Switch, Menu, +, -)
OSD Control	Brightness, Color, Contrast, Auto Turing, H/V Position...etc
Dimensions (mm)	719.5x 67.1 x 32.8
Bezel Size(U/B/L/R)	13.7/13.7/8.9/8.9 mm
Weight (Net)	1.7 kg
Mounting	280 x 40, 200 x 40
Operating Temperature	0 °C ~ 50 °C
Storage Temperature	-20 °C ~ 60 °C

SSD= Panel+ LED Driving Board + AD Control Board + Housing

Specifications are subject to change without notice.

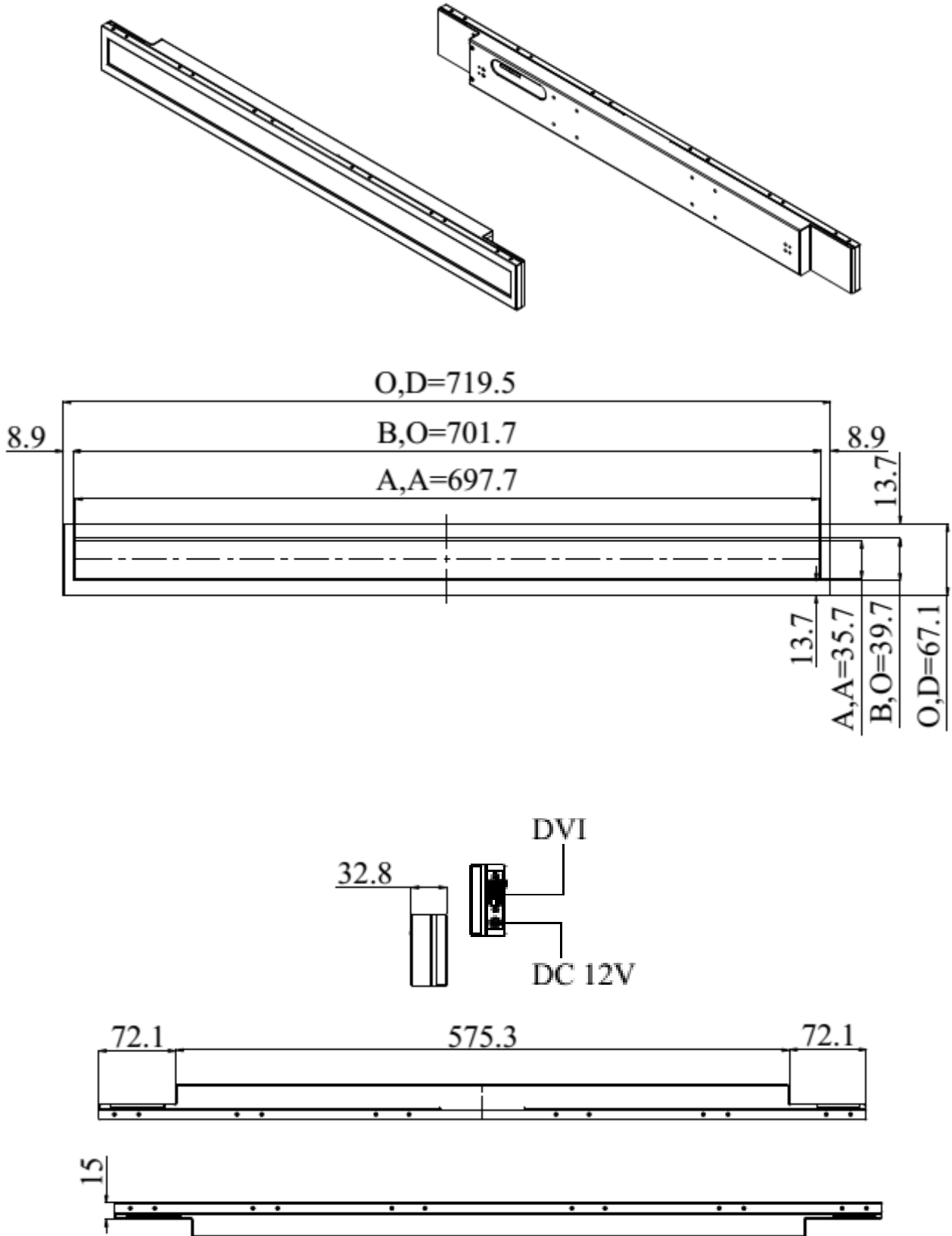
All brands or product names are trademarks or registered trademarks of their respective companies.

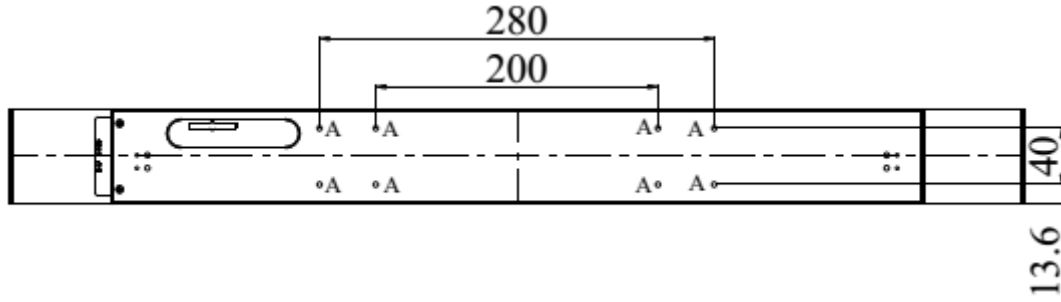


Mechanical Drawing

Outline Dimensions

Unit: mm





NOTE :

O.D. : OUTLINE DIMENSION

B.O. : BEZEL OPENING

A.A. : LCD ACTIVE AREA

A:8-M4_USER HOLE_MAX.Depth=5mm

Ordering Information

Part Number	Description
SSD2755-ANB-I01	27.5",1000nits,1366*70,LID27A,AD6038DM,O/B,white painting,5in1,V1

Optional Accessories

Part Number	Description
460140007001	Fixture,Hinge,SUS,LT18500,V0,Left,P
460140007002	Fixture,Hinge,SUS,LT18500,V0,Right,P
800815002000	CABLE,USB 3.0,1500mm.A Type TO B Type 10P,P
840612031101	ADAPTER.12V.3.33A.40W.G99-KPL040F-N051.DC Plug 2.1*5.5,P
810618301010	CABLE.POWER.AC.1830mm USA type
810618301090	CABLE,POWER,AC,1830mm Europe type
810618301050	CABLE.POWER.AC.1830mm UK type
810618301170	CABLE.POWER,AC,1830mm Australia type
810618301031	CABLE.POWER.AC.1830mm Japan type

By Customer Request

Glass	Tempered glass, AR coating.....
-------	---------------------------------