



OUR GLOBAL  
COMPETENCE  
CENTRES

 APOLLO DISPLAY  
TECHNOLOGIES



FORTEC  
INTEGRATED



FORTEC  
UNITED KINGDOM



# Datasheet

**AUO**

**P215HVN02.0**

UP-02-270

# Model Name: P215HVN02.0

Issue Date: 2021/06/04

(\*) Preliminary Specifications

( ) Final Specifications

Customer Signature	Date	AUO Display Plus	Date
Approved By  _____		Approval By PM Director CT Wu  _____	
Note		Reviewed By RD Director Lamy Chen  _____	
		Reviewed By Project Leader Choc Chen  _____	
		Prepared By PM Travis Huang  _____	

# Contents

<b>1. General Description</b> .....	5
1.1. Display Characteristics.....	5
1.2. Optical Characteristics.....	6
1.3. Mechanical Characteristics.....	11
1.3.1. Placement Suggestions.....	11
<b>2. Absolute Maximum Ratings</b> .....	14
<b>3. Electrical Specification</b> .....	15
3.1. Block Diagram.....	15
3.2. Interface Connection.....	16
3.2.1. Connector Type.....	16
3.2.2. Connector Pin Assignment.....	17
3.3. Electrical Characteristics.....	18
3.3.1. Absolute Maximum Rating.....	18
3.3.2. Recommended Operating Condition.....	18
3.3.3 Input control signal threshold voltage definition.....	20
3.3.4 Write Protection mode selection.....	20
3.3.5 Input equivalent impedance.....	20
3.4. Signal Characteristics.....	20
3.4.1 LCD Pixel Format.....	20
3.4.2 LVDS Data Format.....	21
3.4.3 Color versus Input Data.....	22
3.4.4 LVDS Specification.....	24
3.4.5 Input Timing Specification.....	26
3.4.6 Input Timing Diagram.....	27
3.5. Power ON/OFF Sequence.....	28
<b>4. Backlight Unit</b> .....	29
4.1. Block Diagram.....	29
4.2. Interface Connection.....	30
4.2.1. Connector Type.....	30
4.2.2. Connector Pin Assignment.....	32
4.3. Electrical Characteristics.....	32
4.3.1. Absolute Maximum Rating.....	33
4.3.2. Recommended Operating Condition.....	33
<b>5. Reliability Test Items</b> .....	35
<b>6. International Standard</b> .....	36
6.3. Safety.....	36
6.4. EMC.....	36

---

7	Packing.....	37
7.1	Definition of Label.....	37
7.2	Packing Methods.....	38
7.3	Pallet and Shipment Information.....	39
8	Precautions.....	40
8.1	Mounting Precautions.....	40
8.2	Operating Precautions.....	40
8.3	Operating Condition for Public Information Display.....	40
8.4	Electrostatic Discharge Control.....	41
8.5	Precautions for Strong Light Exposure.....	41
8.6	Storage.....	41
8.7	Handling Precautions for Protection Film.....	42

AUO Display Plus Confidential  
For DISTEC Internal Use Only  
20240222 09:45:42



# 1. General Description

This specification applies to the 21.45inch a-Si TFT-LCD Module P215HVN02.0. The display supports the Full HD - 1920(H) x 1080(V) screen format and 16.7M colors (8 bits RGB data input). The input interface is Dual channel LVDS and this module doesn't contain a driver board for backlights.

**\* General Information**

## 1.1. Display Characteristics

The following items are characteristics summary on the table under 25°C condition:

ITEMS	Unit	SPECIFICATIONS
Screen Diagonal	[mm]	544.85 (21.45inch)
Active Area	[mm]	478.656 (H) x 260.28 (V)
Pixels H x V	-	1920(x3) x 1080
Pixel Pitch	[um]	249.3 (per one triad) x241
Pixel Arrangement	-	R.G.B. Vertical Stripe
Display Mode	-	VA Mode, Normally Black
White Luminance ( Center )	[cd/m2]	300 (Typ.)
Contrast Ratio	-	3000 (Typ.)
Response Time	[msec]	20ms (Typ., on/off)at surface 35 degree C
Power Consumption (LCD Module + Backlight unit)	[Watt]	13.55 (Typ.) LCD Module: PDD(Typ.)=1.55 W@ White pattern , Fv=75Hz Backlight unit : PBLU (Typ.) =12 @Is=65mA
Weight	[Grams]	TBD
Outline Dimension	[mm]	501.9(H)×284.8(V)×10.9(D); (D) is refer to front bezel to CB Cover.
Electrical Interface	-	Dual channel LVDS
Support Color	-	16.7M colors (RGB 6-bits +Hi-FRC)
Surface Treatment	-	Anti-Glare, 3H, Haze 25 %
Temperature Range		
Operating	[oC]	0 to +50
Storage (Shipping)	[oC]	-20 to +60

## 1.2. Optical Characteristics

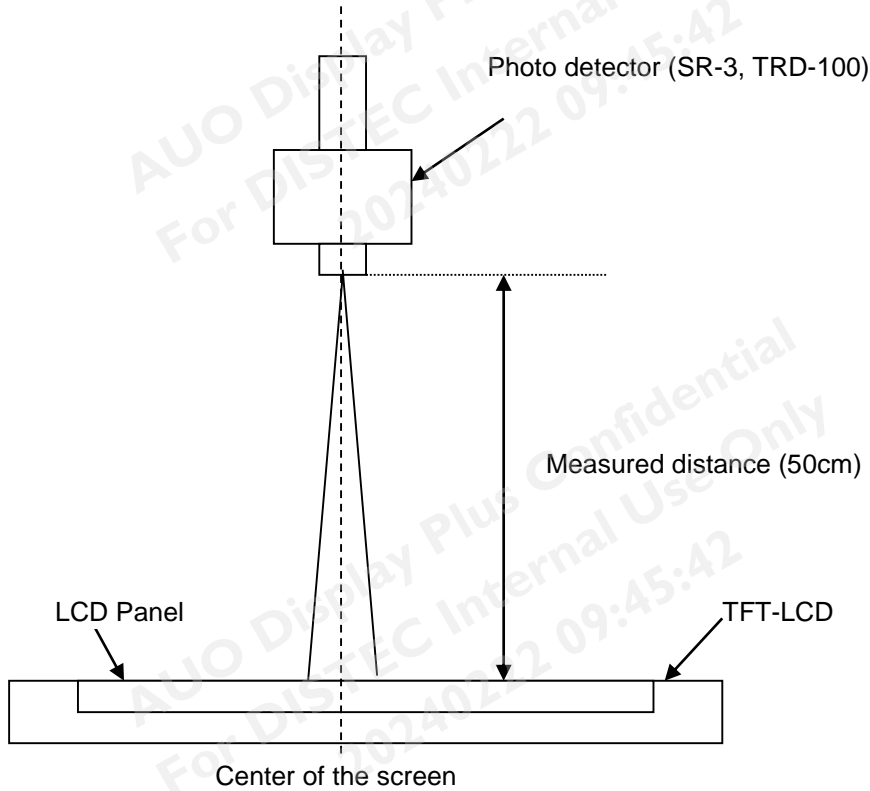
The optical characteristics are measured on the following test condition. Test Condition:

1. Equipment setup: Please refer to Note 1-1.
2. Panel Lighting time: 30 minutes
3. VDD=5.0V, Fv=60Hz, Ta=25°C

Symbol	Description		Min.	Typ.	Max.	Unit	Remark
Lw	White Luminance (Center of screen)		240	300	-	[cd/m <sup>2</sup> ]	Note 1-1 By SR-3
Luni	Luminance Uniformity (9 points)		75	80	-	[%]	Note 1-2 By SR-3
CR	Contrast Ratio (Center of screen)		2000	3000	-	-	Note 1-3 By SR-3
θR	Horizontal Viewing Angle (CR=10)	Right	75	89	-	[degree]	Note 1-4 By SR-3
θL		Left	75	89	-		
ΦH	Vertical Viewing Angle (CR=10)	Up	75	89	-		
ΦL		Down	75	89	-		
θR	Horizontal Viewing Angle (CR=5)	Right	75	89	-		
θL		Left	75	89	-		
ΦH	Vertical Viewing Angle (CR=5)	Up	75	89	-		
ΦL		Down	75	89	-		
T <sub>GTG</sub>	Response Time	Gray To Gray	-	20	-	[msec]	Note 1-5 By TRD-100
Rx	Color Coordinates (CIE 1931)	Red x		TBD		-	By SR-3
Ry		Red y		TBD			
Gx		Green x		TBD			
Gy		Green y		TBD			
Bx		Blue x		TBD			
By		Blue y		TBD			
Wx		White x	0.283	0.313	0.343		
Wy		White y	0.299	0.329	0.359		
NTSC Area Ratio				72		[%]	By SR-3
CT	Crosstalk		-	-	2.0	[%]	Note 1-6 By SR-3
FdB	Flicker (Center of screen)		-	-	-20	[dB]	Note 1-7 By SR-3



**Note 1-1:** Equipment setup :

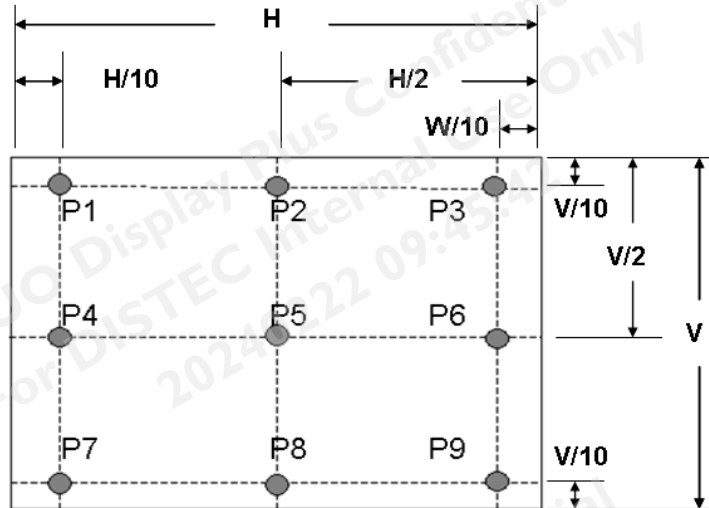


**Note 1-2:** Luminance Uniformity Measurement

**Definition:**

$$\text{Luminance Uniformity} = \frac{\text{Minimum Luminance of 9 Points (P1 ~ P9)}}{\text{Maximum Luminance of 9 Points (P1 ~ P9)}}$$

a. Test pattern: White Pattern



**Note 1-3: Contrast Ratio Measurement**

**Definition:**

$$\text{Contrast Ratio} = \frac{\text{Luminance of White pattern}}{\text{Luminance of Black pattern}}$$

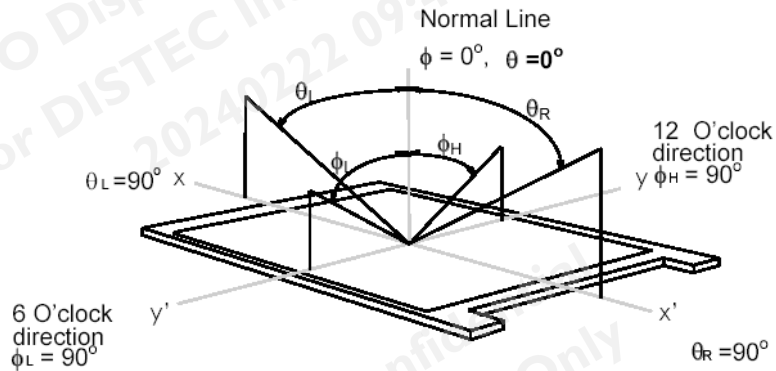
- a. Measured position: Center of screen (P5) & perpendicular to the screen ( $\theta = \Phi = 0^\circ$ )

**Note 1-4: Viewing angle measurement**

**Definition:** The angle at which the contrast ratio is greater than 10 & 5 .

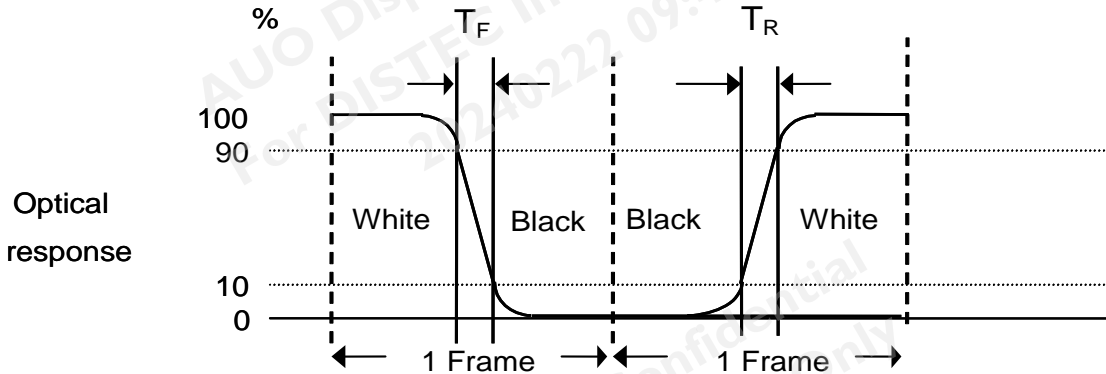
- a. Horizontal view angle: Divide to left & right ( $\theta_L$  &  $\theta_R$ )

Vertical view angle: Divide to up & down ( $\Phi_H$  &  $\Phi_L$ )



**Note 1-5: Response time measurement**

The output signals of photo detector are measured when the input signals are changed from “Black” to “White” (rising time, TR), and from “White” to “Black” (falling time, TF), respectively. The response time is interval between the 10% and 90% of optical response. (Black & White color definition: Please refer section 3.4.3)



**Note 1-6: Crosstalk measurement**

**Definition:**

$CT = \text{Max. } (CTH, CTV);$

Where

a. Maximum Horizontal Crosstalk :

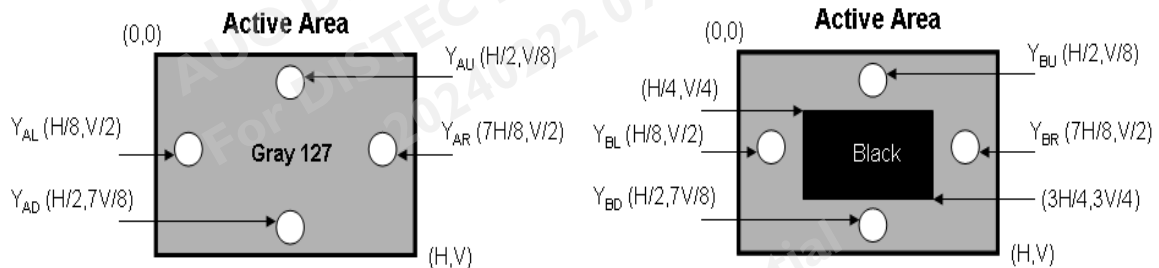
$CTH = \text{Max. } (|Y_{BL} - Y_{AL}| / Y_{AL} \times 100 \%, |Y_{BR} - Y_{AR}| / Y_{AR} \times 100 \%);$

Maximum Vertical Crosstalk:

$CTV = \text{Max. } (|Y_{BU} - Y_{AU}| / Y_{AU} \times 100 \%, |Y_{BD} - Y_{AD}| / Y_{AD} \times 100 \%);$

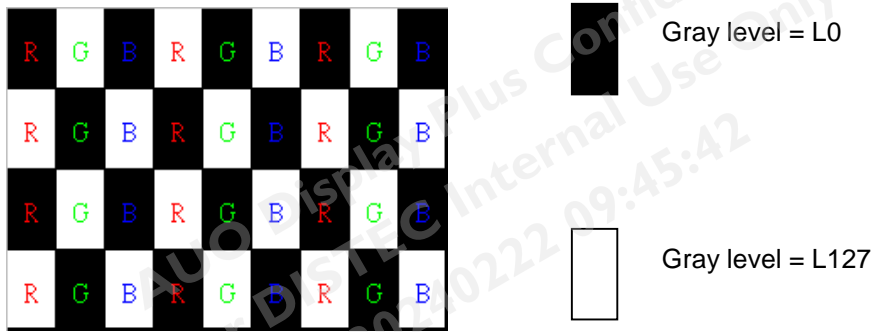
b.  $Y_{AU}, Y_{AD}, Y_{AL}, Y_{AR}$  = Luminance of measured location without Black pattern

$Y_{BU}, Y_{BD}, Y_{BL}, Y_{BR}$  = Luminance of measured location with Black pattern



**Note 1-7: Flicker measurement**

a. Test pattern: It is listed as following.



R: Red, G: Green, B: Blue

b. Measured position: Center of screen (P5) & perpendicular to the screen ( $\theta=\Phi=0^\circ$ )

**1.3. Mechanical Characteristics**

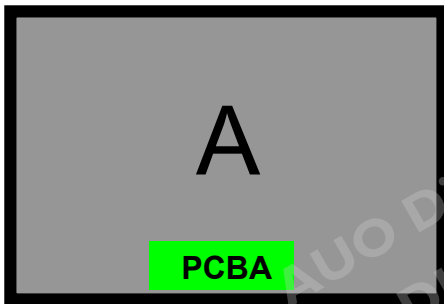
The contents provide general mechanical characteristics for the model P215HVN02.0 In addition the figures in the next page are detailed mechanical drawing of the LCD.

Item	Dimension	Unit	Note	
Outline Dimension	Horizontal	501.9	mm	
	Vertical	284.8	mm	
	Depth (Dmin)	7.7	mm	front bezel to back bezel
	Depth (Dmax)	10.9	mm	to wall mount
Weight	TBD	g		

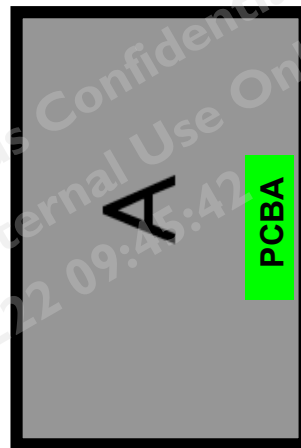
**1.3.1. Placement Suggestions**

1. Landscape Mode: The default placement is T-Con Side on the lower side and the image is shown upright via viewing from the front.
2. Portrait Mode: The default placement is that T-Con side has to be placed on the right side via viewing from the front.

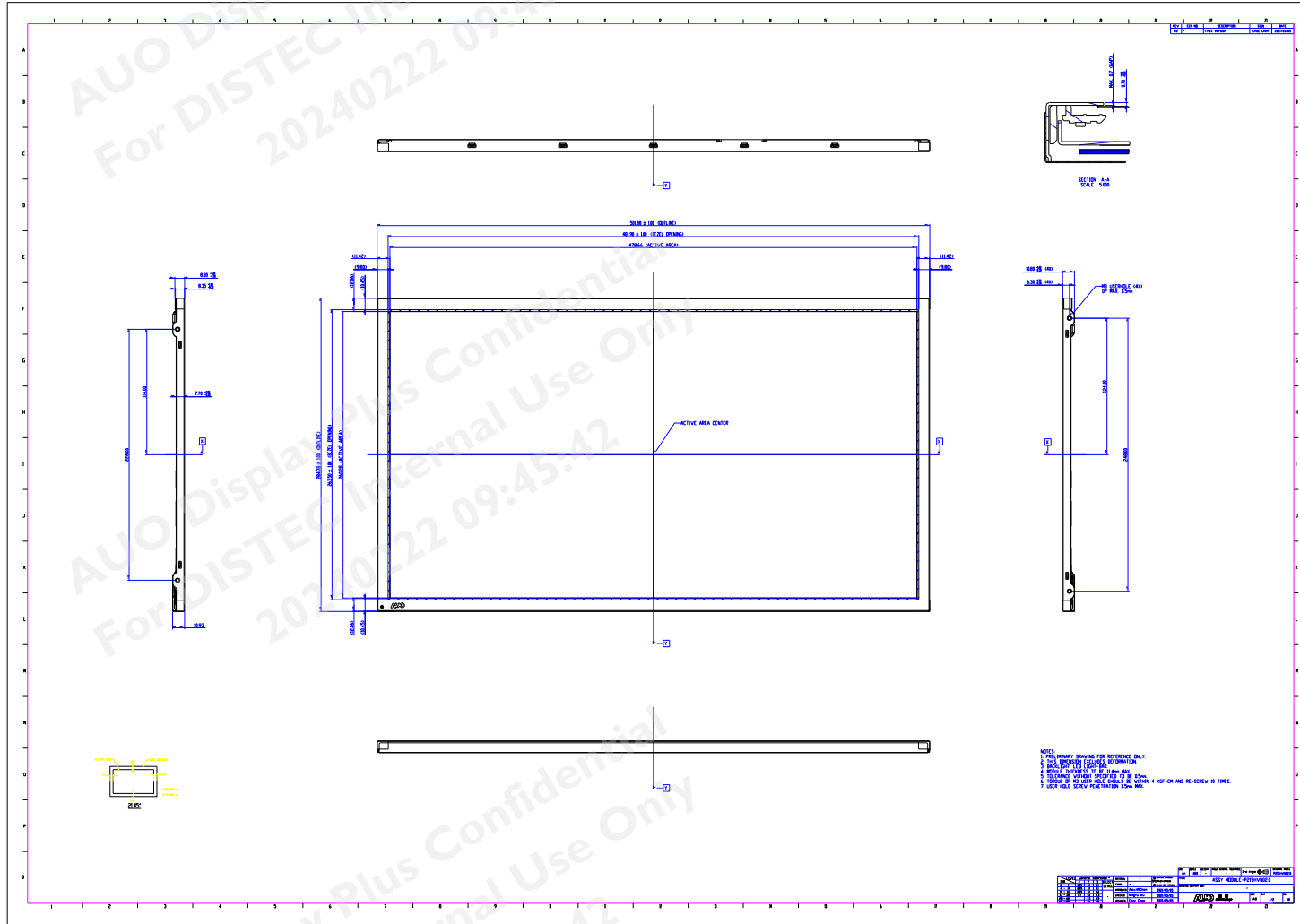
Landscape (Front view)



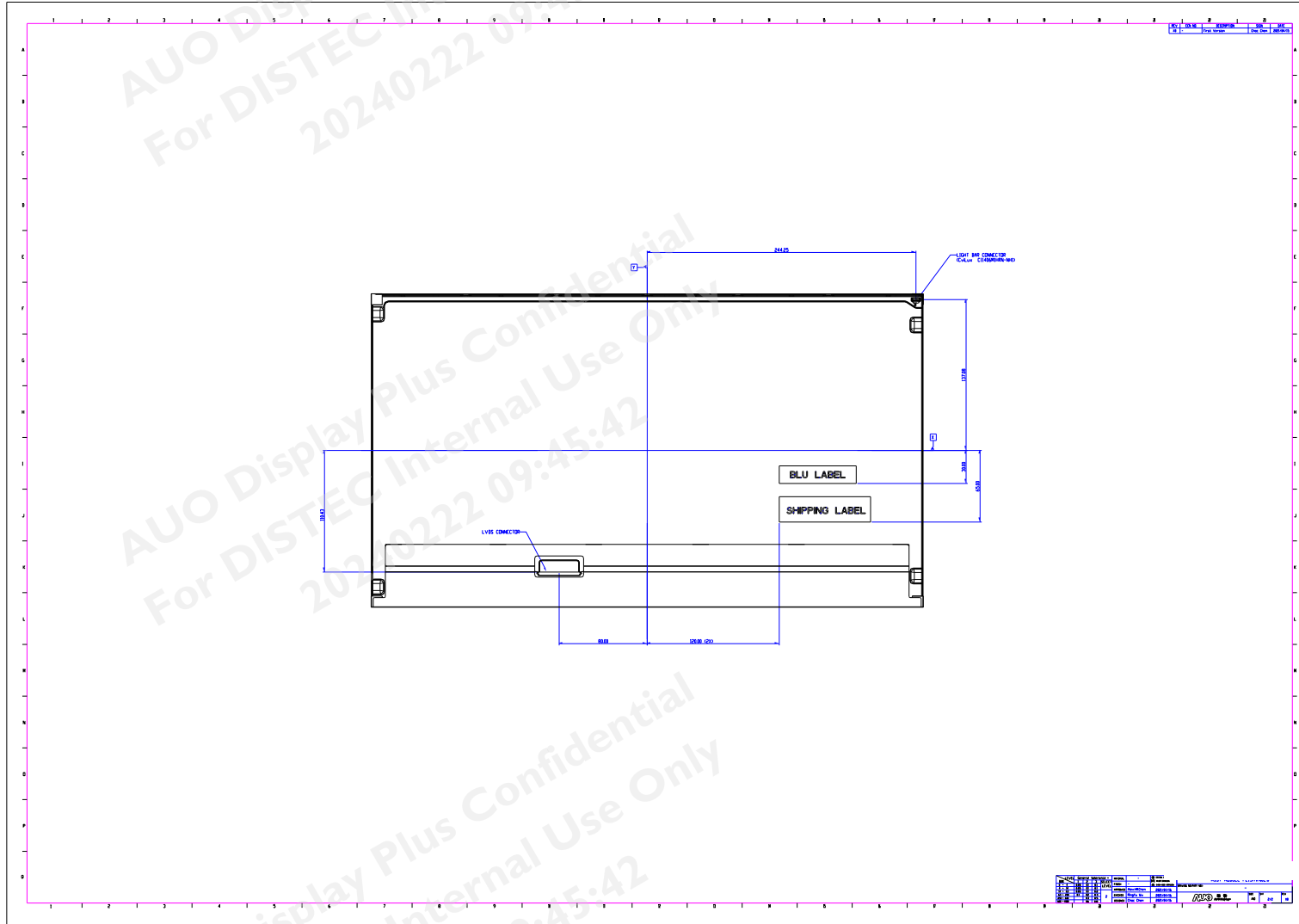
Portrait (Front view)



**Front View**



## Back View



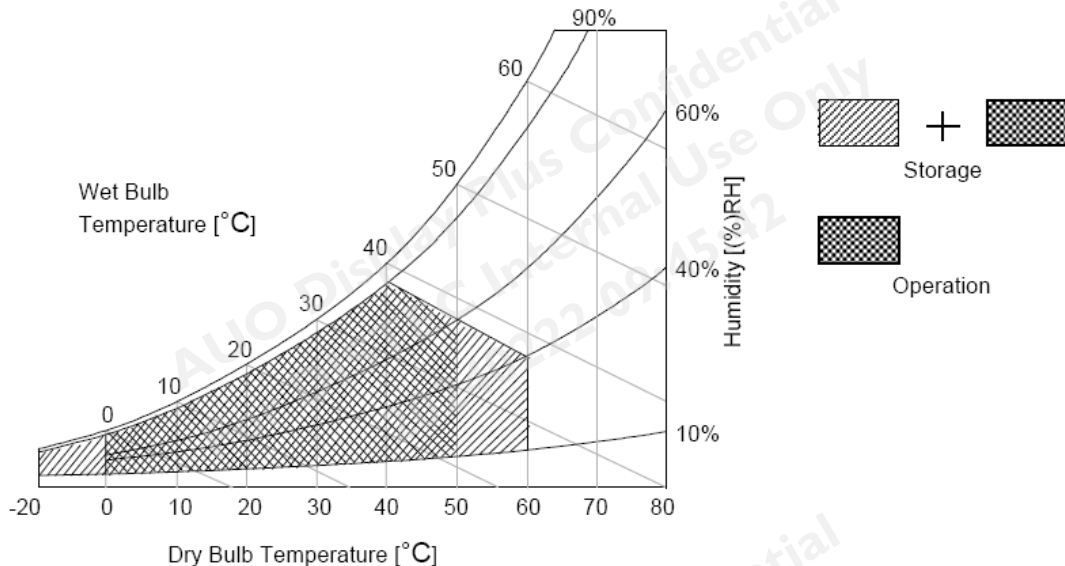
## 2. Absolute Maximum Ratings

The followings are maximum values which, if exceeded, may cause faulty operation or damage to the unit  
Permanent damage may occur if exceeding the following maximum rating.

Symbol	Description	Min.	Max.	Unit	Remark
TOP	Operating Temperature	0	+50	[oC]	Note 2-1
TGS	Glass surface temperature (operation)	0	+65	[oC]	Note 2-1 Function judged only
HOP	Operation Humidity	5	90	[%RH]	Note 2-1
TST	Storage Temperature	-20	+60	[oC]	
HST	Storage Humidity	5	90	[%RH]	

**Note 2-1:** Temperature and relative humidity range are shown as the below figure.

1. 90% RH Max (  $T_a \leq 39^\circ\text{C}$  )
2. Max wet-bulb temperature at  $39^\circ\text{C}$  or less. (  $T_a \leq 39^\circ\text{C}$  )
3. No condensation



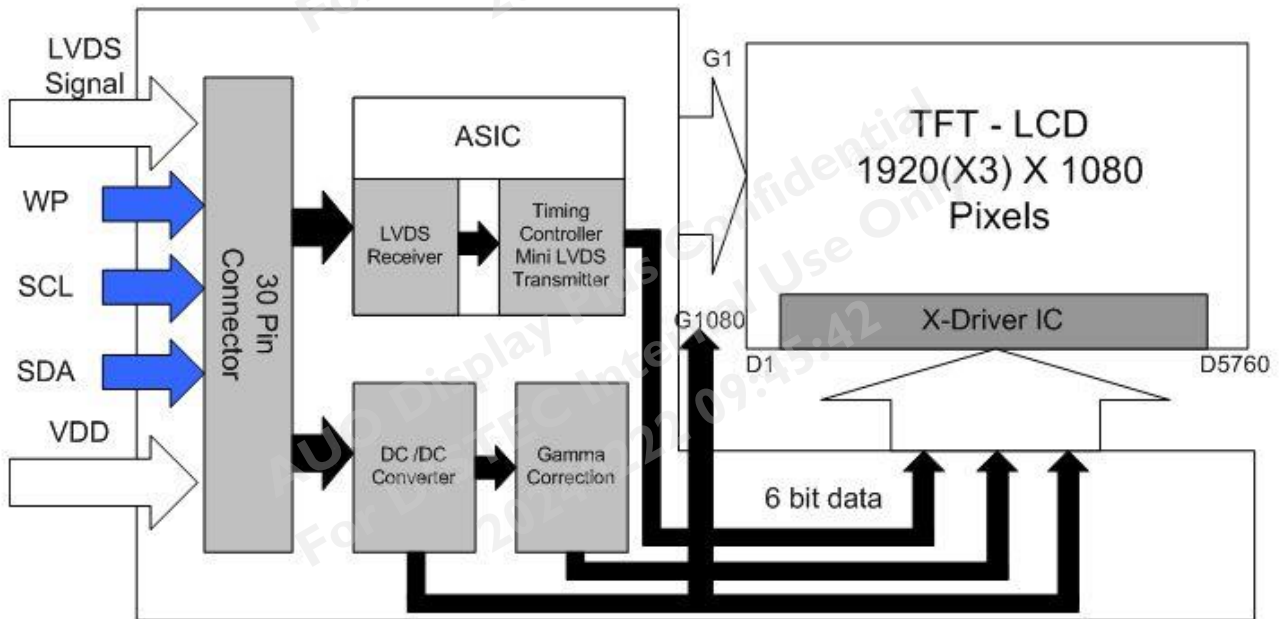


### 3. Electrical Specification

The P215HVN02.0 requires two power inputs. One is employed to power the LCD electronics and to drive the TFT array and liquid crystal. The other is to power Back Light Unit.

#### 3.1. Block Diagram

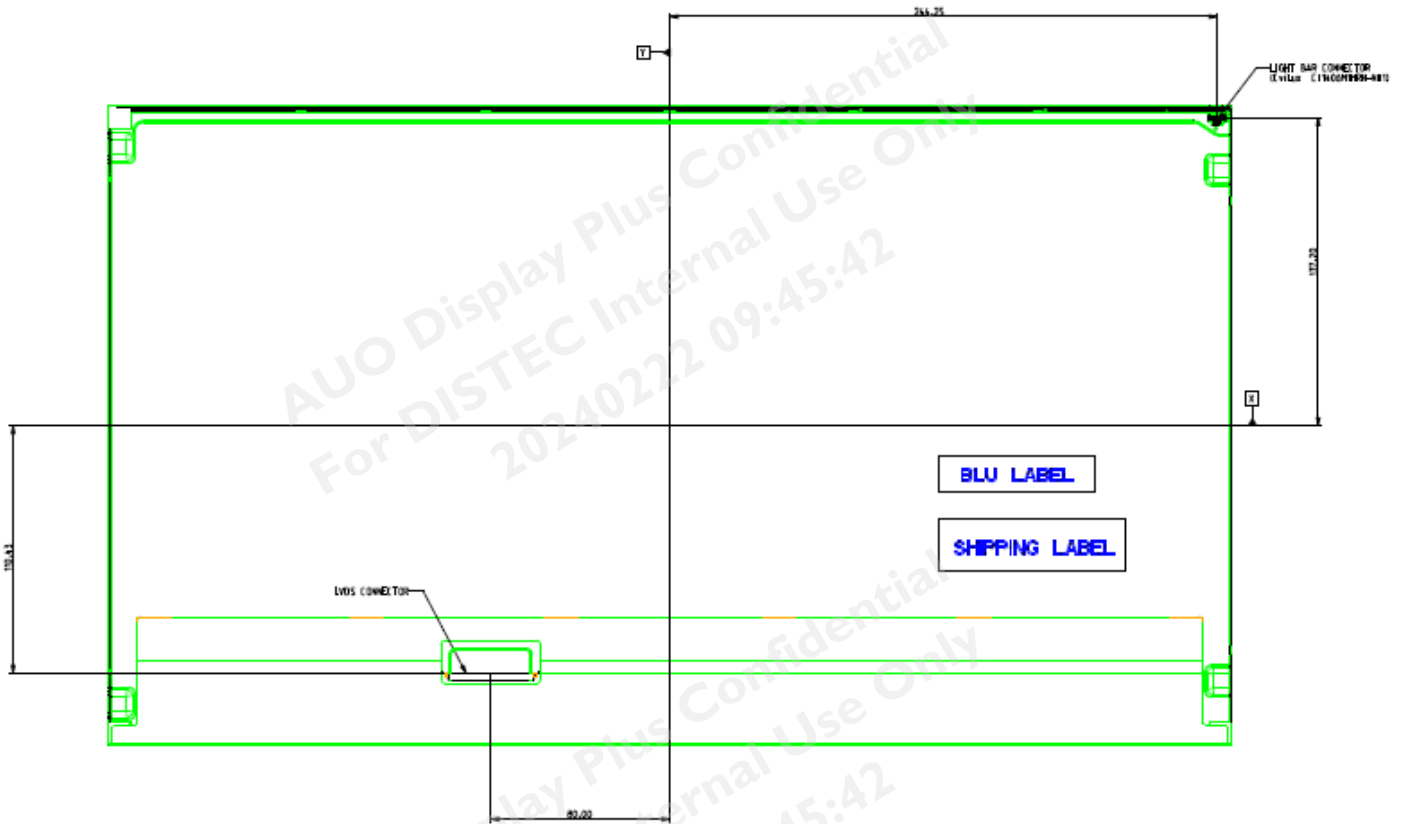
The following shows the block diagram of the 21.5 inch Color TFT-LCD Module.



**3.2. Interface Connection**

**3.2.1. Connector Type**

TFT-LCD Connector	Manufacturer	P-TWO	STM
	Part Number	187034-3009	MSBKT2407P30HB
Mating Connector	Manufacturer	JAE or Compatible	
	Part Number	FI-X30HL (Locked Type)	



### 3.2.2. Connector Pin Assignment

PIN #	Symbol	Description	Remark
1	RxO0-	Negative LVDS differential data input (Odd data)	
2	RxO0+	Positive LVDS differential data input (Odd data)	
3	RxO1-	Negative LVDS differential data input (Odd data)	
4	RxO1+	Positive LVDS differential data input (Odd data)	
5	RxO2-	Negative LVDS differential data input (Odd data)	
6	RxO2+	Positive LVDS differential data input (Odd data)	
7	GND	Ground	
8	RxOCLK-	Negative LVDS differential clock input (Odd clock)	
9	RxOCLK+	Positive LVDS differential clock input (Odd clock)	
10	RxO3-	Negative LVDS differential data input (Odd data)	
11	RxO3+	Positive LVDS differential data input (Odd data)	
12	RxE0-	Negative LVDS differential data input (Even data)	
13	RxE0+	Positive LVDS differential data input (Even data)	
14	GND	Ground	
15	RxE1-	Negative LVDS differential data input (Even data)	
16	RxE1+	Positive LVDS differential data input (Even data)	
17	GND	Ground	
18	RxE2-	Negative LVDS differential data input (Even data)	
19	RxE2+	Positive LVDS differential data input (Even data)	
20	RxECLK-	Negative LVDS differential clock input (Even clock)	
21	RxECLK+	Positive LVDS differential clock input (Even clock)	
22	RxE3-	Negative LVDS differential data input (Even data)	
23	RxE3+	Positive LVDS differential data input (Even data)	
24	GND	Ground	
25	NC	No connection (for AUO test only. Do not connect)	
26	NC	No connection (for AUO test only. Do not connect)	
27	NC	No connection (for AUO test only. Do not connect)	
28	VDD	Power Supply Input Voltage	
29	VDD	Power Supply Input Voltage	
30	VDD	Power Supply Input Voltage	

### 3.3. Electrical Characteristics

#### 3.3.1. Absolute Maximum Rating

Permanent damage may occur if exceeding the following maximum rating.

Symbol	Description	Min	Max	Unit	Remark
VDD	Power Supply Input Voltage	GND-0.3	6.0	[Volt]	Ta=25°C

#### 3.3.2. Recommended Operating Condition

Symbol	Item	Min	Typ.	Max.	Unit	Note	
VDD	Power Supply Input Range	4.5	5.0	5.5	[Volt]		
IDD	Current of Power Supply@60Hz	White	-	0.28	0.34	[A]	<b>Note3-1</b>
		Black	-	0.28	0.34	[A]	
		H-stripe	-	0.56	0.67	[A]	
	Current of Power Supply@75Hz	White	-	0.31	0.37	[A]	
		Black	-	0.31	0.37	[A]	
		H-stripe	-	0.63	0.76	[A]	
PDD	VDD Power Consumption@60Hz	-	1.41	1.70	[Watt]	White	
	VDD Power Consumption@75Hz	-	3.15	3.78	[Watt]	H-stripe	
IRUSH	Inrush current	-	-	TBD	[A]	<b>Note3-2</b>	
VDDrp	Allowable VDD Ripple Voltage			500	[mV]	VDD=12.0V, White Pattern @Maxi Frame rate	

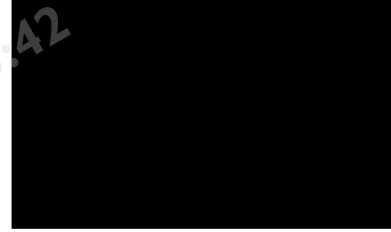
Note 3-1: Test Condition:

- (1) V<sub>DD</sub> = Typical, (2) Temperature = 25 °C
- (3) Power dissipation check pattern. (Only for power design)

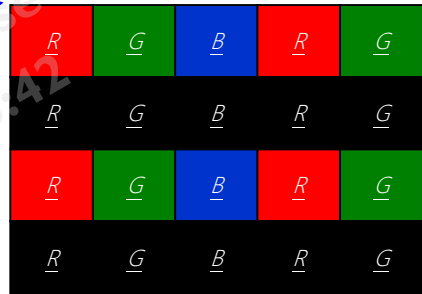
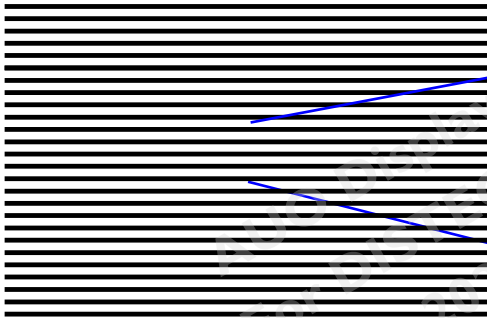
A. White



B. Black

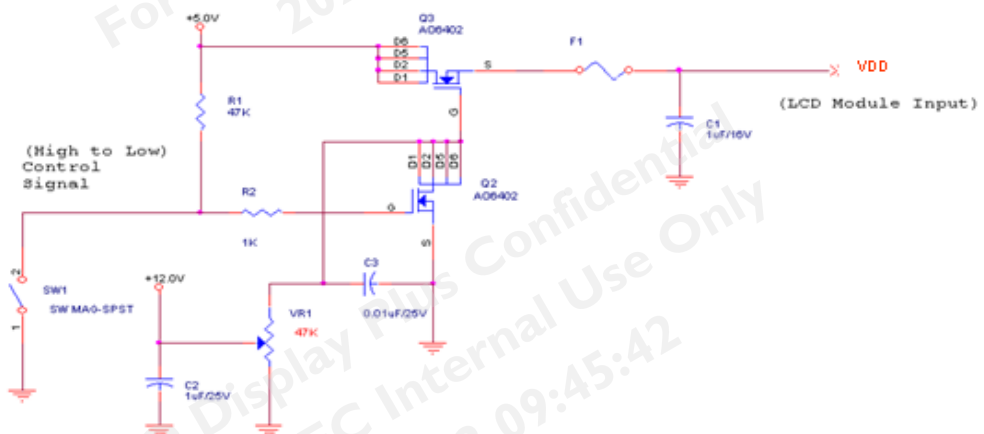


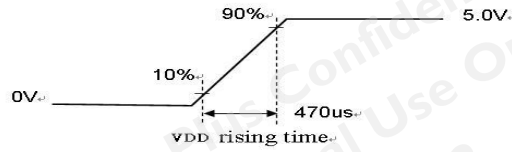
C. H-Stripe



Note 3-2: Inrush Current measurement:

Test circuit:





The duration of VDD rising time: 470us.

**3.3.3 Input control signal threshold voltage definition**

Item	Symbol	Min.	Typ.	Max.	Unit
Input High Threshold Voltage	V <sub>IH</sub>	2.7	-	3.6	V
Input Low Threshold Voltage	V <sub>IL</sub>	0	-	0.6	V

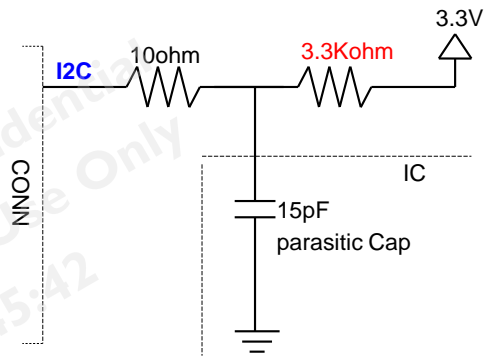
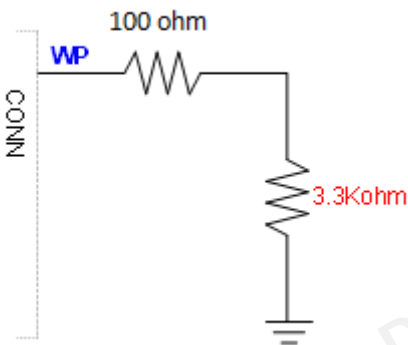
**3.3.4 Write Protection mode selection**

WP	Note
L or OPEN	Protection
H	Writable

**3.3.5 Input equivalent impedance**

1. Input equivalent impedance of WP pin

2. Input equivalent impedance of SDA/SCL pin



**3.4. Signal Characteristics**

**3.4.1 LCD Pixel Format**



AUO Display Plus Confidential  
For DISTEC Internal Use Only  
20240222 09:45:42

AUO Display Plus Confidential  
For DISTEC Internal Use Only  
20240222 09:45:42

**3.4.3 Color versus Input Data**

The following table is for color versus input data (8bit). The higher the gray level, the brighter the color.

Color	Gray Level	Color Input Data																				Remark				
		RED data (MSB:R7, LSB:R0)								GREEN data (MSB:G7, LSB:G0)								BLUE data (MSB:B7, LSB:B0)								
		R7	R6	R5	R4	R3	R2	R1	R0	G7	G6	G5	G4	G3	G2	G1	G0	B7	B6	B5	B4		B3	B2	B1	B0
Black	-	0	0	0	0	0	0	0	0	0	0	0	0	0	0	0	0	0	0	0	0	0	0	0	0	
White	-	1	1	1	1	1	1	1	1	1	1	1	1	1	1	1	1	1	1	1	1	1	1	1	1	
Gray 127	-	0	1	1	1	1	1	1	1	0	1	1	1	1	1	1	1	0	1	1	1	1	1	1	1	
Red	L0	0	0	0	0	0	0	0	0	0	0	0	0	0	0	0	0	0	0	0	0	0	0	0	0	Black
	:	:	:	:	:	:	:	:	:	:	:	:	:	:	:	:	:	:	:	:	:	:	:	:	:	
	L255	1	1	1	1	1	1	1	1	0	0	0	0	0	0	0	0	0	0	0	0	0	0	0	0	
Green	L0	0	0	0	0	0	0	0	0	0	0	0	0	0	0	0	0	0	0	0	0	0	0	0	0	Black
	:	:	:	:	:	:	:	:	:	:	:	:	:	:	:	:	:	:	:	:	:	:	:	:	:	
	L255	0	0	0	0	0	0	0	0	1	1	1	1	1	1	1	1	0	0	0	0	0	0	0	0	
Blue	L0	0	0	0	0	0	0	0	0	0	0	0	0	0	0	0	0	0	0	0	0	0	0	0	0	Black
	:	:	:	:	:	:	:	:	:	:	:	:	:	:	:	:	:	:	:	:	:	:	:	:	:	
	L255	0	0	0	0	0	0	0	0	0	0	0	0	0	0	0	0	1	1	1	1	1	1	1	1	



AUO Display Plus Confidential  
For DISTEC Internal Use Only  
20240222 09:45:42

AUO Display Plus Confidential  
For DISTEC Internal Use Only  
20240222 09:45:42

AUO Display Plus Confidential  
For DISTEC Internal Use Only  
20240222 09:45:42

AUO Display Plus Confidential  
For DISTEC Internal Use Only  
20240222 09:45:42

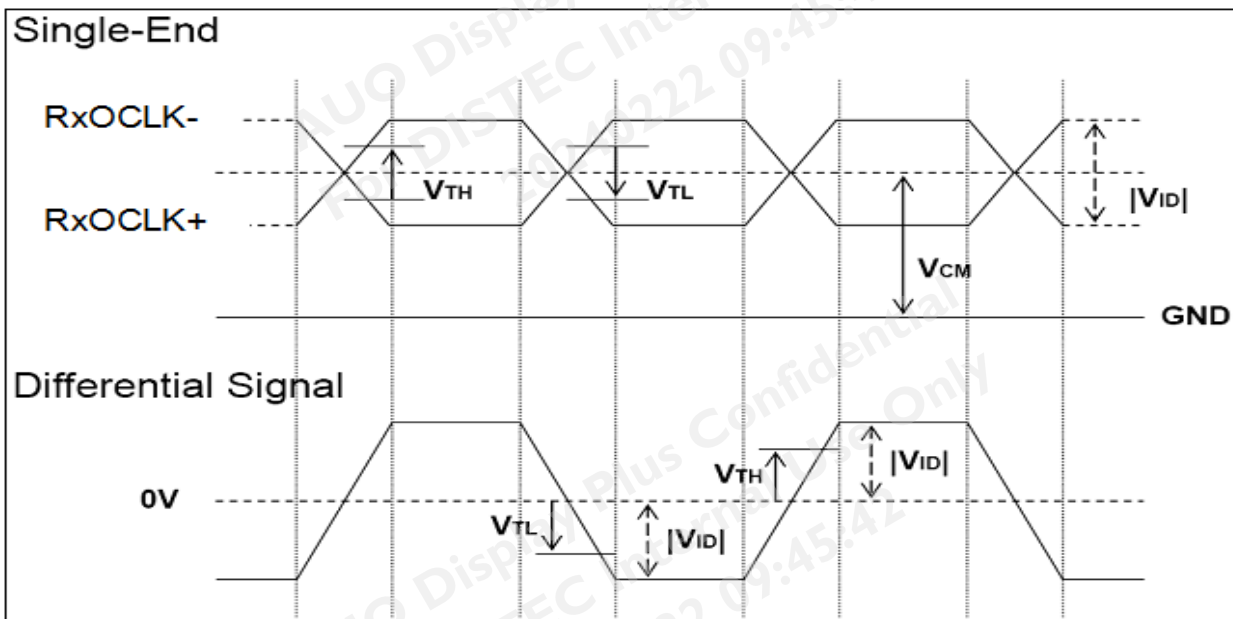
**3.4.4 LVDS Specification**

**a. DC Characteristics:**

Symbol	Description	Min	Typ	Max	Units	Condition
V <sub>TH</sub>	LVDS Differential Input High Threshold	-	-	+100	[mV]	V <sub>CM</sub> = 1.2V
V <sub>TL</sub>	LVDS Differential Input Low Threshold	-100	-	-	[mV]	V <sub>CM</sub> = 1.2V
V <sub>ID</sub>	LVDS Differential Input Voltage	100	-	600	[mV]	
V <sub>CM</sub>	LVDS Common Mode Voltage	+1.0	+1.2	+1.5	[V]	V <sub>TH</sub> -V <sub>TL</sub> = 200mV

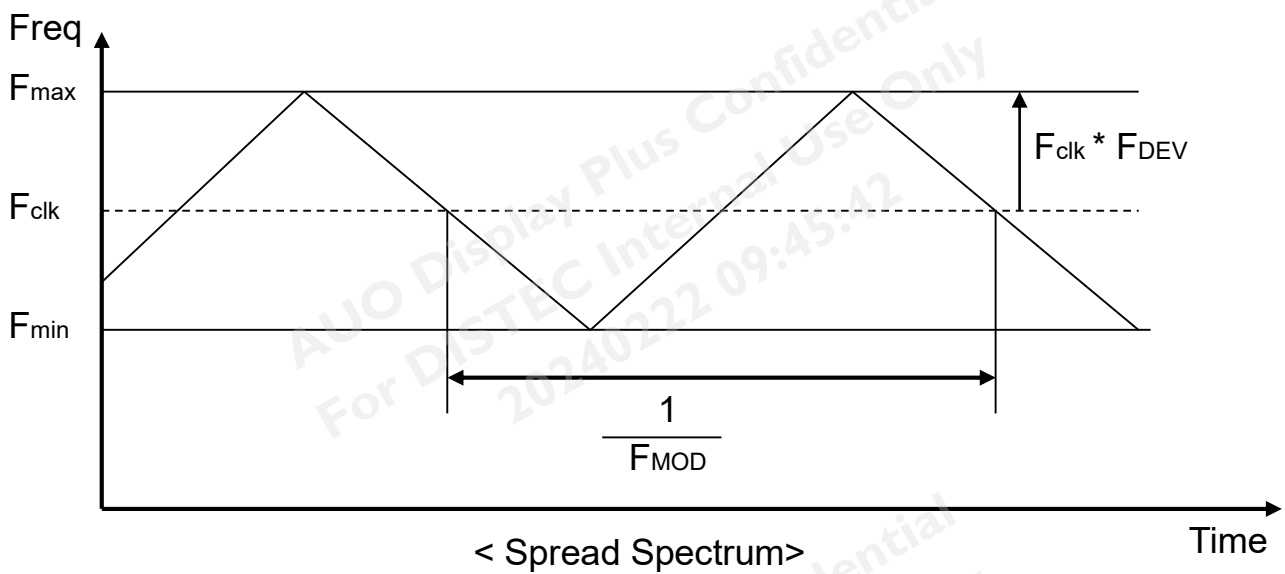
**LVDS Signal Waveform:**

Use RxOCLK- & RxOCLK+ as example.



**b. AC Characteristics:**

Symbol	Description	Min	Max	Unit	Remark
F <sub>DEV</sub>	Maximum deviation of input clock frequency during Spread Spectrum	-	± 3	%	
F <sub>MOD</sub>	Maximum modulation frequency of input clock during Spread Spectrum	-	200	KHz	



F<sub>clk</sub>: LVDS Clock Frequency

### 3.4.5 Input Timing Specification

It only support DE mode, and the input timing are shown as the following table.

Symbol	Description	Min	Typ	Max	Unit	Remark	
Tv	Vertical Section	Period	1100	1160	1837	Th	
Tdisp (v)		Active	1080	1080	1080	Th	
Tblk (v)		Blanking	20	80	757	Th	
Fv		Frequency	48	60	76	Hz	<b>Note 3-3</b>
Th	Horizontal Section	Period	1034	1050	1100	Tclk	
Tdisp (h)		Active	960	960	960	Tclk	
Tblk (h)		Blanking	74	90	140	Tclk	
Fh		Frequency	52.9	69.6	88.1	KHz	<b>Note 3-4</b>
Tclk	LVDS Clock	Period	10.6	13.7	18.4	ns	1/Fclk
Fclk		Frequency	54.6	73.1	94.0	MHz	<b>Note 3-5</b>

**Note 3-3:** The optimal Vertical Frequency is 50~76 Hz for best picture quality

**Note 3-4:** The equation is listed as following. Please don't exceed the above recommended value.

$$Fh (\text{Min.}) = Fclk (\text{Min.}) / Th (\text{Min.});$$

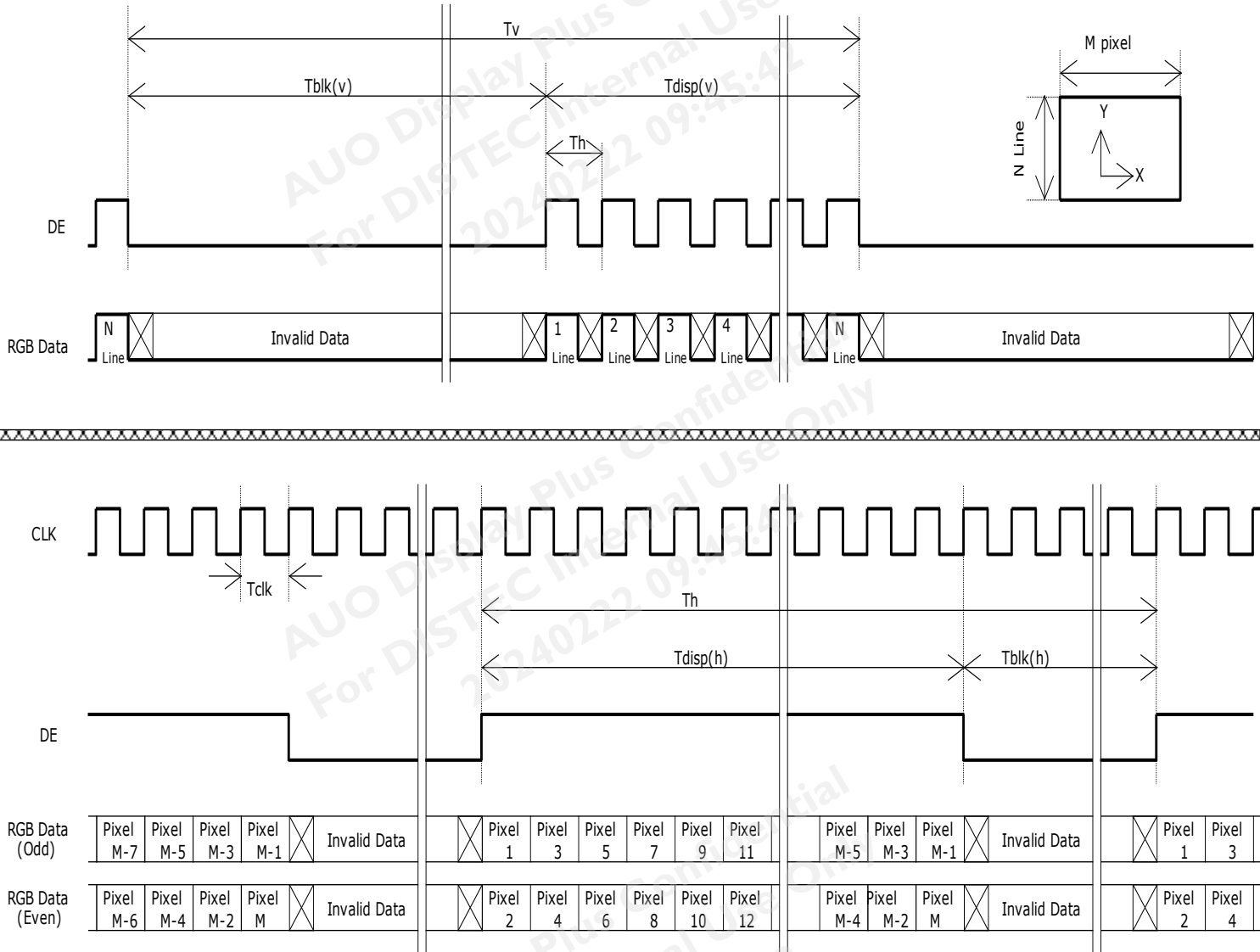
$$Fh (\text{Typ.}) = Fclk (\text{Typ.}) / Th (\text{Typ.});$$

$$Fh (\text{min}) < Fh < Fh (\text{max})$$

**Note 3-5:** The equation is listed as following. Please don't exceed the above recommended value.

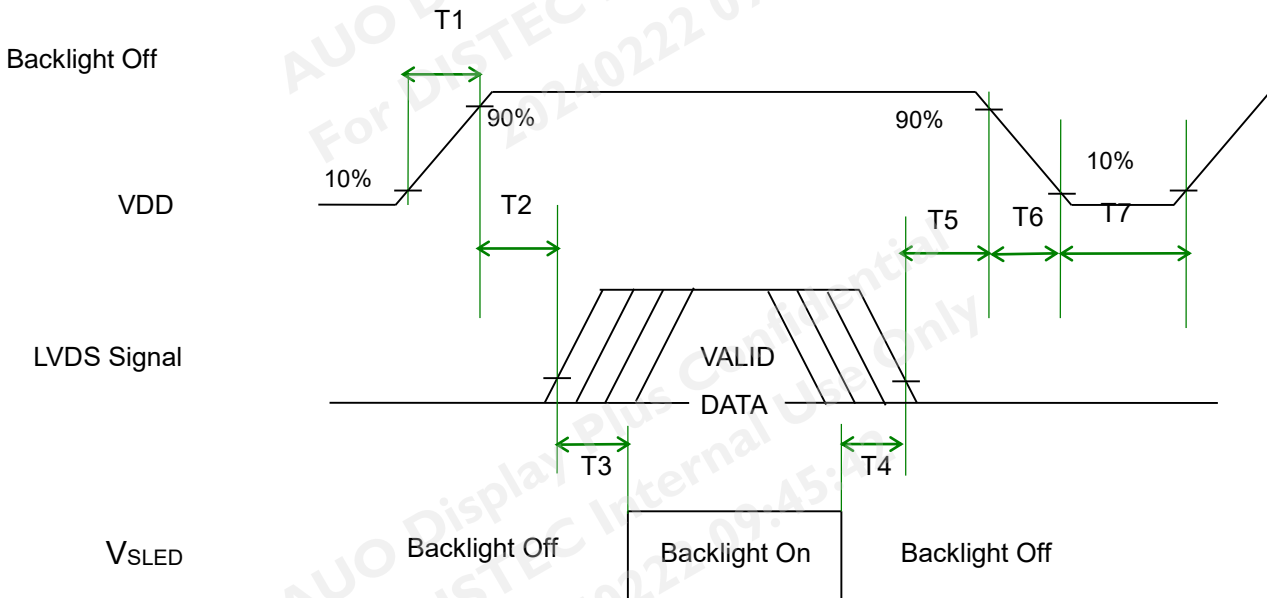
$$Fclk (\text{min}) < Fclk < Fclk (\text{max})$$

**3.4.6 Input Timing Diagram**



### 3.5 Power ON/OFF Sequence

VDD power, LVDS signal and backlight on/off sequence are as following. LVDS signals from any system shall be Hi-Z state when VDD is off.



**Power Sequence Timing**

Symbol	Value			Unit	Remark
	Min.	Typ.	Max.		
T1	0.5	-	10	[ms]	
T2	0	-	50	[ms]	
T3	500	-	-	[ms]	
T4	100	-	-	[ms]	
T5	0	-	50	[ms]	Note 3-6 Note 3-7
T6	0	-	200	[ms]	Note 3-7 Note 3-8
T7	1000	-	-	[ms]	

**Note 3-6 :** Recommend setting T5 = 0ms to avoid electronic noise when VDD is off.

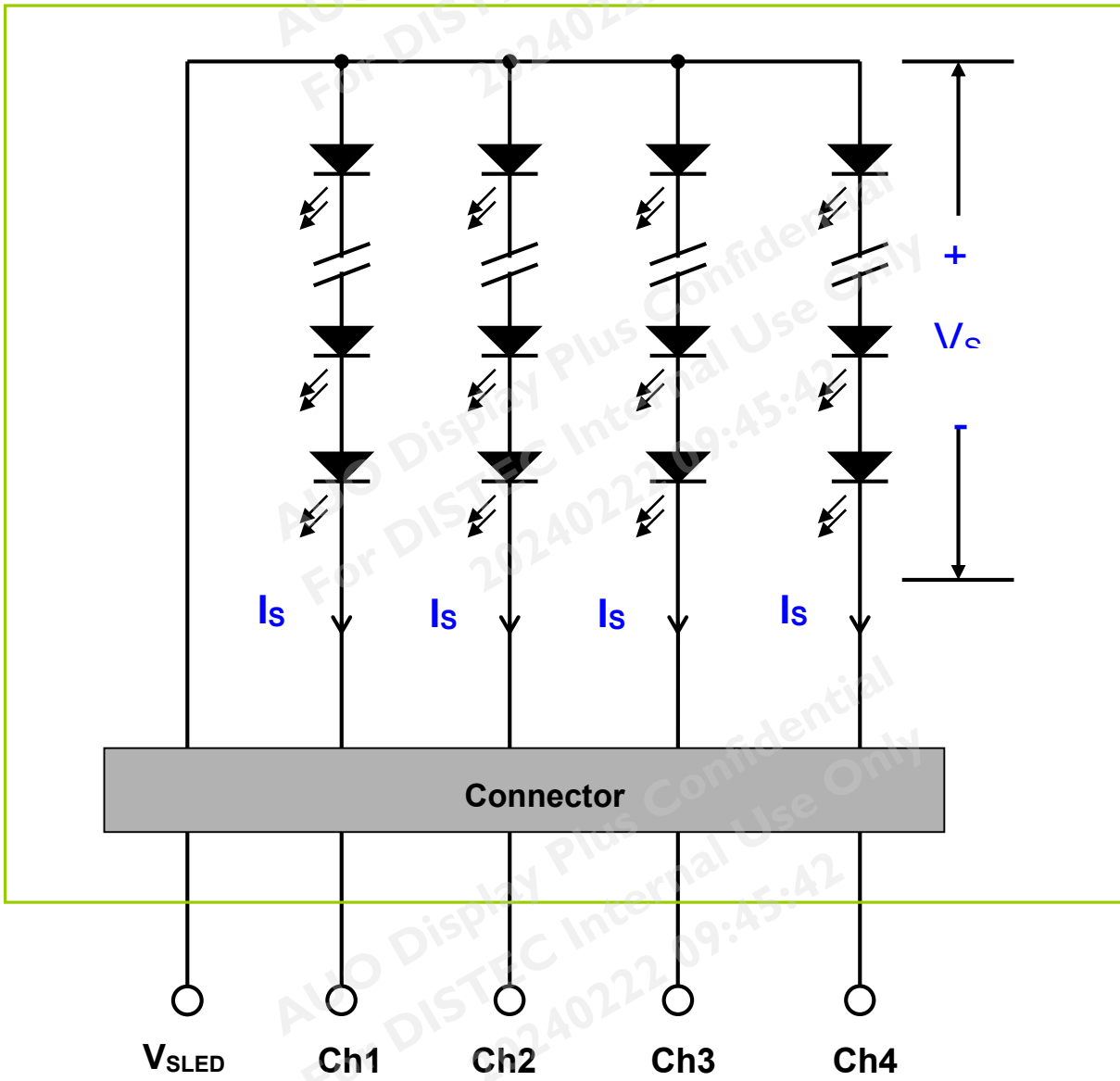
**Note 3-7 :** During T5 and T6 period , please keep the level of input LVDS signals with Hi-Z state.

**Note 3-8 :** Voltage of VDD must decay smoothly after power-off. (customer system decide this value)

4 **Backlight Unit**

4.1 **Block Diagram**

The following shows the block diagram of the 21.45 inch Backlight Unit. And it includes 60 pcs LED in the LED light bar. (4 strings and 15 pcs LED of one string).



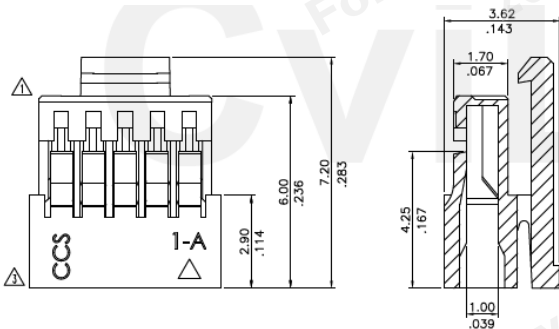
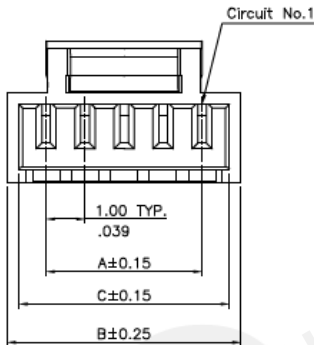
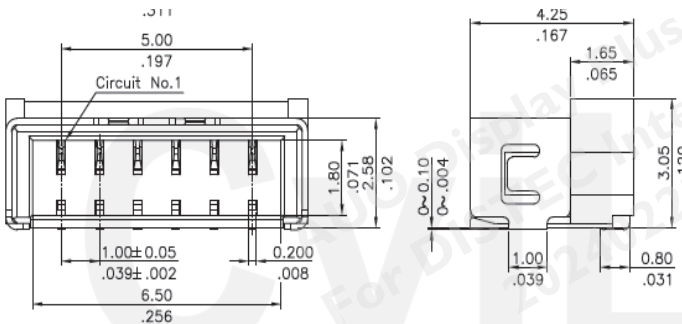
**4.2 Interface Connection**

**4.2.1 Connector Type**

Backlight Connector	Manufacturer	CviLux
	Part Number	CI1406M1HRN-NH1
Mating Connector	Manufacturer	CviLux
	Part Number	CI1406SL000-NH (Lock type)

**Backlight Connector dimension:**

$H \times V \times D = H \times V \times D = 7.9 \times 3.05 \times 4.25$ , Pitch = 1.0 (unit = mm)





AUO Display Plus Confidential  
For DISTEC Internal Use Only  
20240222 09:45:42

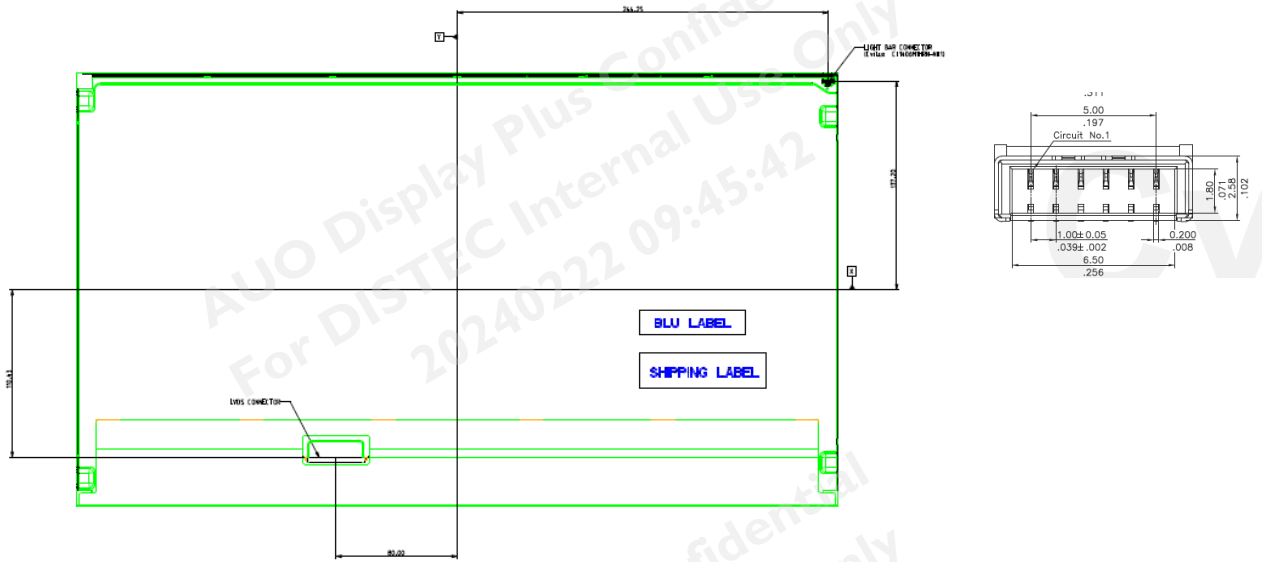
AUO Display Plus Confidential  
For DISTEC Internal Use Only  
20240222 09:45:42

AUO Display Plus Confidential  
For DISTEC Internal Use Only  
20240222 09:45:42

AUO Display Plus Confidential  
For DISTEC Internal Use Only  
20240222 09:45:42

**4.2.2 Connector Pin Assignment**

Pin#	Symbol	Description	Remark
1	Ch1	LED Current Feedback Terminal (Channel 1)	
2	Ch2	LED Current Feedback Terminal (Channel 2)	
3	V <sub>SLED</sub>	LED Power Supply Voltage Input Terminal	
4	V <sub>SLED</sub>	LED Power Supply Voltage Input Terminal	
5	Ch3	LED Current Feedback Terminal (Channel 3)	
6	Ch4	LED Current Feedback Terminal (Channel 4)	



### 4.3 Electrical Characteristics

#### 4.3.1 Absolute Maximum Rating

Permanent damage may occur if exceeding the following maximum rating.

(Ta=25°C)

Symbol	Description	Min	Max	Unit	Remark
Is	LED String Current	0	120	[mA]	100% duty ratio

#### 4.3.2 Recommended Operating Condition

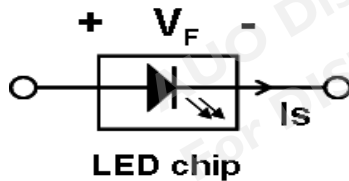
(Ta=25°C)

Symbol	Description	Min.	Typ.	Max.	Unit	Remark
Is	LED String Current	-	65	72	[mA]	100% duty ratio of LED chip
Vs	LED String Voltage	-	42.8	45.6	[Volt]	Is=65mA @ 100% duty ratio; <b>Note 4-1, Note 4-5</b>
ΔVs	Maximum Vs Voltage Deviation of light bar	-	-	1.5	[Volt]	Is=65mA @ 100% duty ratio; <b>Note 4-2</b>
P <sub>BLU</sub>	LED Light Bar Power Consumption	-	11.12	11.86	[Watt]	<b>Note 4-3</b>
LT <sub>LED</sub>	LED life	50,000	-	-	[Hour]	<b>Note 4-4</b>
OVP	Over Voltage Protection in system board	110% V <sub>smax</sub>	-	-	[Volt]	<b>Note 4-5</b>

**Note 4-1:**  $V_s (\text{Typ.}) = V_F (\text{Typ.}) \times \text{LED No. (one string)}$ ;

a.  $V_F$ : LED chip forward voltage,  $V_F (\text{Min.}) = 2.64\text{V}$ ,  $V_F (\text{Typ.}) = 2.85\text{V}$ ,  $V_F (\text{Max.}) = 3.04\text{V}$

b. The same equation to calculate  $V_s (\text{Min.})$  &  $V_s (\text{Max.})$  for respective  $V_F (\text{Min.})$  &  $V_F (\text{Max.})$ ;



**Note 4-2:**  $\Delta V_s (\text{Max.}) = \Delta V_F \times \text{LED No. (one string)}$ ;

a.  $\Delta V_F$ : LED chip forward voltage deviation; (0.1 V , each Bin of LED  $V_F$ )

**Note 4-3:**  $P_{\text{BLU}} (\text{Typ.}) = V_s (\text{Typ.}) \times I_s (\text{Typ.}) \times 4$  ; ( 4 is total String No. of LED Light bar)

$P_{\text{BLU}} (\text{Max.}) = V_s (\text{Max.}) \times I_s (\text{Typ.}) \times 4$  ;

**Note 4-4:** Definition of life time:

a. Brightness of LED becomes to 50% of its original value

b. Test condition:  $I_s = 65\text{mA}$  and  $25^\circ\text{C}$  (Room Temperature)

**Note 4-5:** Recommendation for LED driver power design:

Due to there are electrical property deviation in LED & monitor set system component after long time operation. AUO strongly recommend the design value of LED driver board OVP (over voltage protection) should be 10% higher than max. value of LED string voltage ( $V_s$ ) at least.

**Note 4-6:** AUO strongly recommend "Analog Dimming" method for backlight brightness control for Wavy Noise Free. Otherwise, recommend that Dimming Control Signal (PWM Signal) should be synchronized with Frame Frequency.

## 5 Reliability Test Items

AUO reliability test items are listed as following table. (*Bare Panel only*)

Items	Condition	Remark
Temperature Humidity Bias (THB)	Ta= 50°C, 80%RH, 300hours	
High Temperature Operation (HTO)	Ta= 50°C, 50%RH, 300hours	
Low Temperature Operation (LTO)	Ta= 0°C, 300hours	
High Temperature Storage (HTS)	Ta= 60°C, 300hours	
Low Temperature Storage (LTS)	Ta= -20°C, 300hours	
Vibration Test (Non-operation)	Acceleration: 1.5 Grms Wave: Random Frequency: 10 - 200 Hz Sweep: 30 Minutes each Axis (X, Y, Z)	
Shock Test (Non-operation)	Acceleration: 50 G Wave: Half-sine Active Time: 20 ms Direction: ±X, ±Y, ±Z (one time for each Axis)	
Thermal Shock Test (TST)	-20°C/30min, 60°C/30min, 100 cycles	<b>Note 5-1</b>
On/Off Test	On/10sec, Off/10sec, 30,000 cycles	
ESD (Electro Static Discharge)	Contact Discharge: ± 15KV, 150pF(330Ω ) 1sec, 8 points, 25 times/ point.	<b>Note 5-2</b>
	Air Discharge: ± 15KV, 150pF(330Ω ) 1sec 8 points, 25 times/ point.	
Altitude Test	Operation:18,000 ft Non-Operation:40,000 ft	

**Note 5-1:** a. A cycle of rapid temperature change consists of varying the temperature from -20°C to 60°C, and back again. Power is not applied during the test.  
b. After finish temperature cycling, the unit is placed in normal room ambient for at least 4 hours before power on.

**Note 5-2:** EN61000-4-2, ESD class B: Certain performance degradation allowed

No data lost

Self-recoverable

No hardware failures.

## **6 International Standard**

### **6.3 Safety**

- (1) UL 60950-1; Standard for Safety of Information Technology Equipment Including electrical Business Equipment.
- (2) IEC 60950-1; Standard for Safety of International Electrotechnical Commission
- (3) EN 60950-1; European Committee for Electrotechnical Standardization (CENELEC), EUROPEAN STANDARD for Safety of Information Technology Equipment Including Electrical Business Equipment.

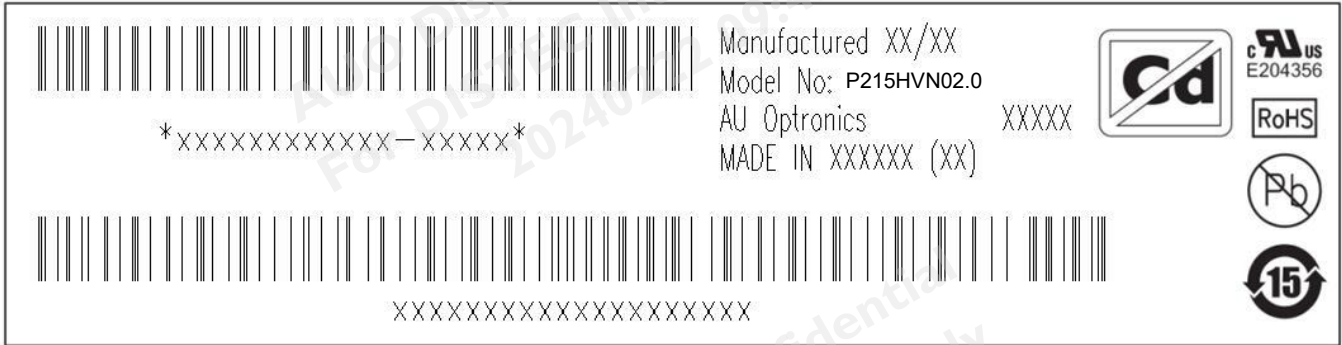
### **6.4 EMC**

- (1) ANSI C63.4 “Methods of Measurement of Radio-Noise Emissions from Low-Voltage Electrical and Electrical Equipment in the Range of 9kHz to 40GHz. “American National standards Institute(ANSI), 1992
- (2) C.I.S.P.R “Limits and Methods of Measurement of Radio Interface Characteristics of Information Technology Equipment.” International Special committee on Radio Interference.
- (3) EN 55022 “Limits and Methods of Measurement of Radio Interface Characteristics of Information Technology Equipment.” European Committee for Electrotechnical Standardization. (CENELEC), 1998


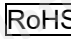

## 7 Packing

### 7.1 Definition of Label

#### A. Panel Label:

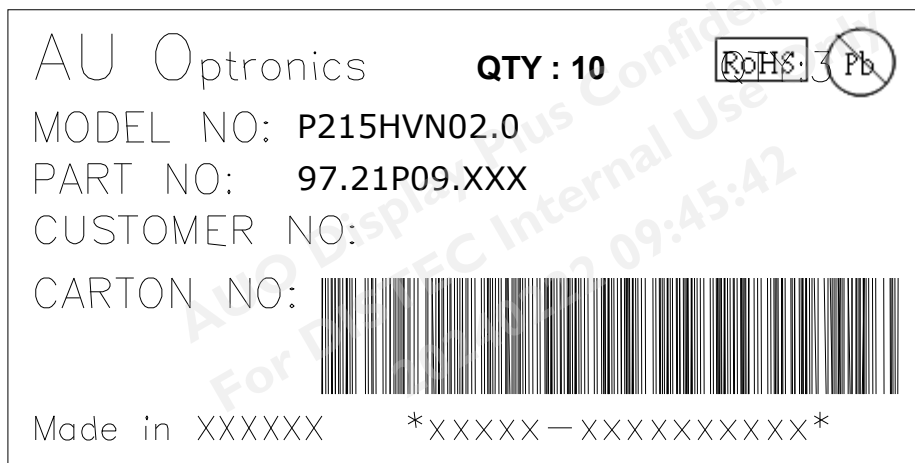


#### Green mark description

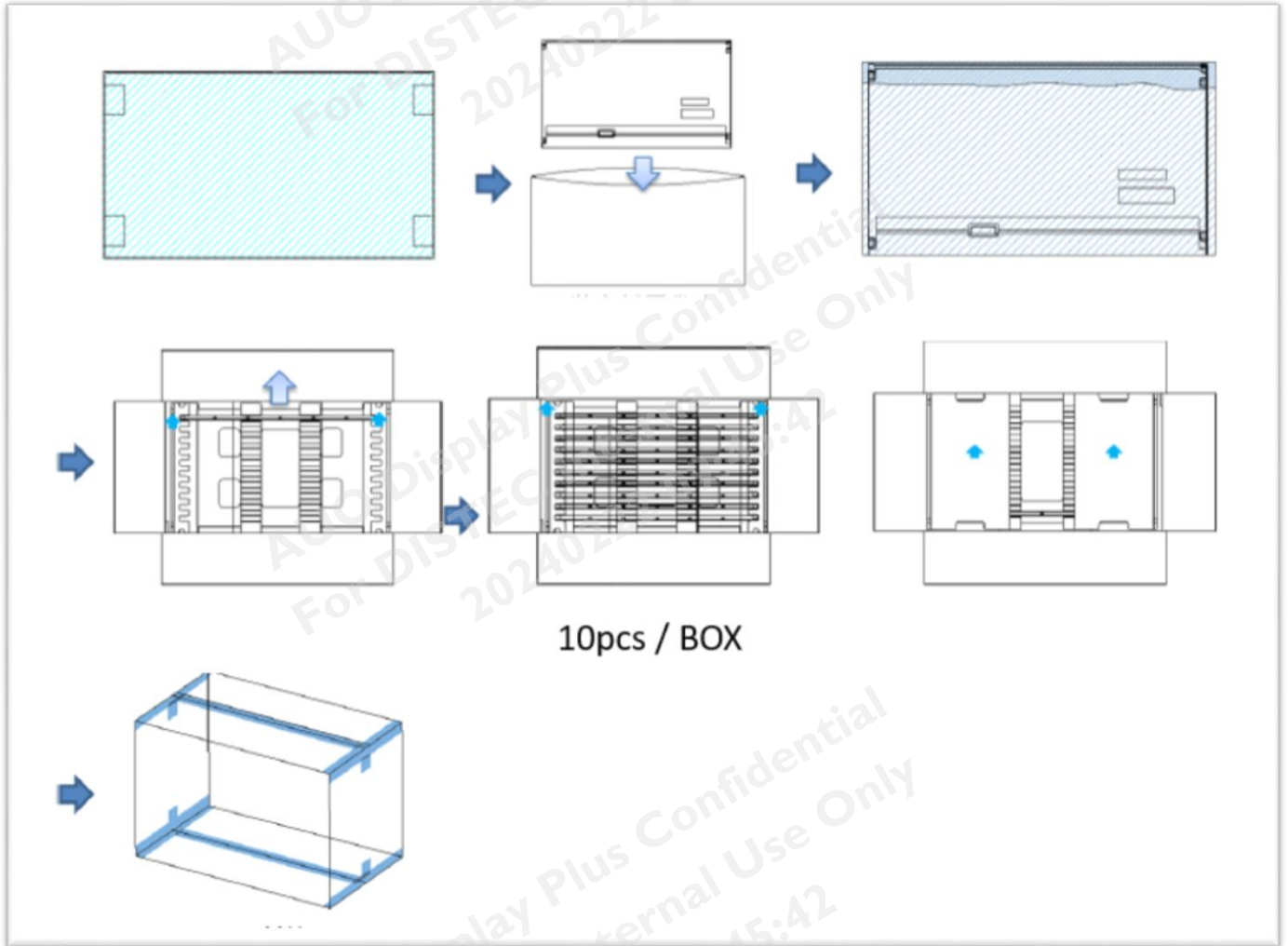
- (1) For Pb Free Product, AUO will add  for identification.
- (2) For RoHs compatible products, AUO will add  for identification.
- (3) For "Cadmium Free product, AUO will add  for identification.

Note: The green Mark will be present only when the green documents have been ready by AUO internal green team. (definition of green design follows the AUO green design checklist.)

#### B. Carton Label:



**7.2 Packing Methods**

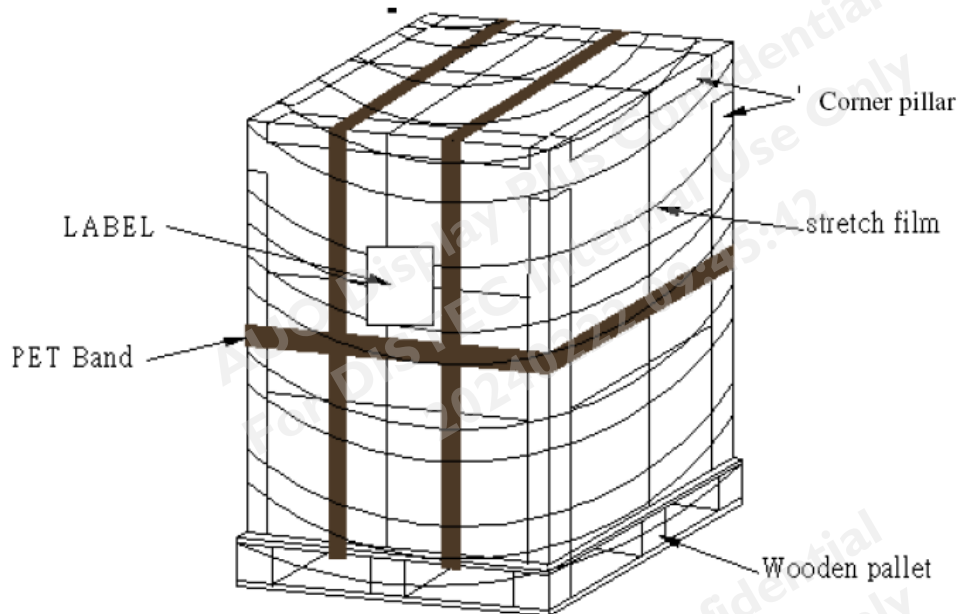




**7.3 Pallet and Shipment Information**

Item	Specification			Remark
	Q'ty	Dimension	Weight(kg)	
Panel	1	501.9(H)× 284.8(V)×10.9(D)mm	TBD	<b>Note 1</b>
Cushion	1	TBD	TBD	<b>Note 1</b>
Box	1	TBD	TBD	without Panel <b>Note 1</b>
Packing Box	TBD	TBD	TBD	with panel & Box & cushion <b>Note 1</b>
Pallet	1	TBD	TBD	<b>Note 1</b>
Pallet after Packing	TBD	TBD	TBD	<b>Note 1</b>

**Note 1:** Estimated value which is subject to change based on real measured data.



**Single pallet stack Illustration**

## 8 Precautions

Please pay attention to the followings when you use this TFT LCD module.

### 8.1 Mounting Precautions

- (1) You must mount a module using holes arranged in four corners or four sides.
- (2) You should consider the mounting structure so that uneven force (ex. twisted stress) is not applied to module. And the case on which a module is mounted should have sufficient strength so that external force is not transmitted directly to the module.
- (3) Please attach the surface transparent protective plate to the surface in order to protect the polarizer. Transparent protective plate should have sufficient strength in order to resist external force.
- (4) You should adopt radiation structure to satisfy the temperature specification.
- (5) Acetic acid type and chlorine type materials for the cover case are not desirable because the former generates corrosive gas of attacking the polarizer at high temperature and the latter cause circuit broken by electro-chemical reaction.
- (6) Do not touch, push or rub the exposed polarizer with glass, tweezers or anything harder than HB pencil lead. And please do not rub with dust clothes with chemical treatment. Do not touch the surface of polarizer for bare hand or greasy cloth. (Some cosmetics are detrimental to the polarizer.)
- (7) When the surface becomes dusty, please wipe gently with absorbent cotton or other soft materials like chamois soaks with petroleum benzene. Normal-hexane is recommended for cleaning the adhesives used to attach front/ rear polarizer. Do not use acetone, toluene and alcohol because they cause chemical damage to the polarizer.
- (8) Wipe off saliva or water drops as soon as possible. Their long time contact with polarizer causes deformations and color fading.
- (9) Do not open the case because inside circuits do not have sufficient strength.

### 8.2 Operating Precautions

- (1) The spike noise causes the mis-operation of circuits. It should be lower than following voltage:  
 $V = \pm 200\text{mV}$  (Over and under shoot voltage)
- (2) Response time depends on the temperature. (In lower temperature, it becomes longer..)
- (3) Brightness depends on the temperature. (In lower temperature, it may become lower.) And in lower temperature, response time (required time that brightness is stable after turned on) becomes longer.
- (4) Be careful for condensation at sudden temperature change. Condensation makes damage to polarizer or electrical contacted parts. And after fading condensation, smear or spot will occur.
- (5) When fixed patterns are displayed for a long time, remnant image is likely to occur.
- (6) Module has high frequency circuits. Sufficient suppression to the electromagnetic interference shall be done by system manufacturers. Grounding and shielding methods may be important to minimize the interface.

### 8.3 Operating Condition for Public Information Display

The device listed in the product specification is designed and manufactured for PID (Public Information

Display) application. To optimize module's lifetime and function, below operating usages are required.

- (1) Normal operating condition
  - A. Operating temperature: 0~50°C
  - B. Operating humidity: 10~90%
  - C. Display pattern: dynamic pattern (Real display).  
Note) Long-term static display would cause image sticking.
- (2) Operation usage to protect against image sticking due to long-term static display.
  - A. Suitable operating time: 20 hours or less a day.
  - B. Liquid Crystal refresh time is required. Cycling display between 5 minutes' information (static) display and 10 seconds' moving image.
  - C. Periodically change background and character (image) color.
  - D. Avoid combination of background and character with large different luminance.
- (3) Periodically adopt one of the following actions after long time display.
  - A. Running the screen saver (motion picture or black pattern)
  - B. Power off the system for a while
- (4) LCD system is required to place in well-ventilated environment. Adapting active cooling system is highly recommended.
- (5) Product reliability and functions are only guaranteed when the product is used under right operation usages. If product will be used in extreme conditions, such as high temperature/ humidity, display stationary patterns, or long operation time etc..., it is strongly recommended to contact AUO for filed application engineering advice. Otherwise, its reliability and function may not be guaranteed. Extreme conditions are commonly found at airports, transit stations, banks, stock market and controlling systems.

#### **8.4 Electrostatic Discharge Control**

Since a module is composed of electronic circuits, it is not strong to electrostatic discharge. Make certain that treatment persons are connected to ground through wristband etc. And don't touch interface pin directly.

#### **8.5 Precautions for Strong Light Exposure**

Strong light exposure causes degradation of polarizer and color filter.

#### **8.6 Storage**

When storing modules as spares for a long time, the following precautions are necessary.

- (1) Store them in a dark place. Do not expose the module to sunlight or fluorescent light. Keep the temperature between 5□ and 35□ at normal humidity.
- (2) The polarizer surface should not come in contact with any other object. It is recommended that they be stored in the container in which they were shipped.

- (3) Storage condition is guaranteed under packing conditions.
- (4) The phase transition of Liquid Crystal in the condition of the low or high storage temperature will be recovered when the LCD module returns to the normal condition.

### **8.7 Handling Precautions for Protection Film**

- (1) The protection film is attached to the bezel with a small masking tape. When the protection film is peeled off, static electricity is generated between the film and polarizer. This should be peeled off slowly and carefully by people who are electrically grounded and with well ion-blown equipment or in such a condition, etc.
- (2) When the module with protection film attached is stored for a long time, sometimes there remains a very small amount of glue still on the bezel after the protection film is peeled off.
- (3) You can remove the glue easily. When the glue remains on the bezel or its vestige is recognized, please wipe them off with absorbent cotton waste or other soft material like chamois soaked with normal-hexane.

Our company network supports you worldwide with offices in Germany, Austria, Switzerland, the UK and the USA. For more information please contact:

## Headquarters

Germany



**FORTEC**  
GROUP

**FORTEC Elektronik AG**  
Augsburger Str. 2b  
82110 Germering

Phone: +49 89 894450-0  
E-Mail: [info@fortecag.de](mailto:info@fortecag.de)  
Internet: [www.fortecag.de](http://www.fortecag.de)

---

## Fortec Group Members

Austria



**FORTEC**  
INTEGRATED

**Distec GmbH Office Vienna**  
Nuschinggasse 12  
1230 Wien

Phone: +43 1 8673492-0  
E-Mail: [info@distec.de](mailto:info@distec.de)  
Internet: [www.distec.de](http://www.distec.de)

Germany



**FORTEC**  
INTEGRATED

**Distec GmbH**  
Augsburger Str. 2b  
82110 Germering

Phone: +49 89 894363-0  
E-Mail: [info@distec.de](mailto:info@distec.de)  
Internet: [www.distec.de](http://www.distec.de)

Switzerland



**ALTRAC**  
A FORTEC GROUP MEMBER

**ALTRAC AG**  
Bahnhofstraße 3  
5436 Würenlos

Phone: +41 44 7446111  
E-Mail: [info@altrac.ch](mailto:info@altrac.ch)  
Internet: [www.altrac.ch](http://www.altrac.ch)

United Kingdom



**FORTEC**  
UNITED KINGDOM

**Display Technology Ltd.**  
Osprey House, 1 Osprey Court  
Hinchingbrooke Business Park  
Huntingdon, Cambridgeshire, PE29 6FN

Phone: +44 1480 411600  
E-Mail: [info@displaytechnology.co.uk](mailto:info@displaytechnology.co.uk)  
Internet: [www.displaytechnology.co.uk](http://www.displaytechnology.co.uk)

USA



 **APOLLO DISPLAY  
TECHNOLOGIES**  
A FORTEC GROUP MEMBER

**Apollo Display Technologies, Corp.**  
87 Raynor Avenue, Unit 1  
Ronkonkoma, NY 11779

Phone: +1 631 5804360  
E-Mail: [info@apolloDisplays.com](mailto:info@apolloDisplays.com)  
Internet: [www.apolloDisplays.com](http://www.apolloDisplays.com)