



OUR GLOBAL
COMPETENCE
CENTRES

 APOLLO DISPLAY
TECHNOLOGIES



 DISTEC



 DISPLAY
TECHNOLOGY



Datasheet

AUO

G215HVN01.3

UP-02-212



Product Specification

G215HVN01.3

AU OPTRONICS CORPORATION

Preliminary Specification

Final Specification

| | |
|-------------------|---------------------|
| Module | 21.5" Color TFT-LCD |
| Model Name | G215HVN01.3 |

| Customer | Date | Approved by | Date |
|---|-------|--|-------------------|
| _____ | _____ | <u>Flossie Chuang</u> | <u>2020/12/03</u> |
| Checked & Approved by | | Prepared by | |
| _____ | _____ | <u>Roxanne Lin</u> | <u>2020/12/03</u> |
| Note: This Specification is subject to change without notice. | | General Display Business Division / AU Optronics corporation | |

Contents

| | |
|---|-----------|
| 1. Operating Precautions | 5 |
| 2. General Description | 6 |
| 2.1 Display Characteristics | 6 |
| 2.2 Optical Characteristics | 7 |
| 3. Functional Block Diagram | 11 |
| 4. Absolute Maximum Ratings | 12 |
| 4.1 TFT LCD Module | 12 |
| 4.2 Backlight Unit | 12 |
| 5. Electrical Characteristics..... | 14 |
| 5.1 TFT LCD Module | 14 |
| 5.2 Backlight Unit | 16 |
| 6. Signal Characteristic..... | 21 |
| 6.1 Pixel Format Image..... | 21 |
| 6.2 Signal Description | 22 |
| 6.3 The Input Data Format..... | 23 |
| 6.4 Interface Timing..... | 24 |
| 6.5 Power ON/OFF Sequence..... | 25 |
| 7. Connector & Pin Assignment..... | 26 |
| 7.1 TFT LCD Module: LVDS Connector | 26 |
| 7.2 Backlight Unit: LED Connector | 27 |
| 8. Reliability Test | 28 |
| 9. Mechanical Characteristics | 29 |
| 10. Label and Packaging..... | 30 |
| 10.1 Shipping Label (on the rear side of TFT-LCD display) | 30 |
| 10.2 Carton Package..... | 30 |
| 11. Safety | 33 |
| 11.1 Sharp Edge Requirements..... | 33 |
| 11.2 Materials | 33 |
| 11.3 Capacitors..... | 33 |
| 11.4 National Test Lab Requirement | 33 |



Product Specification

G215HVN01.3

AU OPTRONICS CORPORATION

| | | | | |
|--|--|--|--|--|
| | | | | |
| | | | | |
| | | | | |

AUO Confidential
FOR DISTEC ONLY
2020/204 15:08:02

AUO Confidential
FOR DISTEC ONLY
2020/204 15:08:02

AUO Confidential
FOR DISTEC ONLY
2020/204 15:08:02

1. Operating Precautions

- 1) Since front polarizer is easily damaged, pay attention not to scratch it.
- 2) Be sure to turn off power supply when inserting or disconnecting from input connector.
- 3) Wipe off water drop immediately. Long contact with water may cause discoloration or spots.
- 4) When the panel surface is soiled, wipe it with absorbent cotton or other soft cloth.
- 5) Since the panel is made of glass, it may break or crack if dropped or bumped on hard surface.
- 6) Since CMOS LSI is used in this module, take care of static electricity and insure human earth when handling.
- 7) Do not open or modify the Module Assembly.
- 8) In case if a Module has to be put back into the packing container slot after once it was taken out from the container, take it easily, or the TFT Module may be damaged.
- 9) At the insertion or removal of the Signal Interface Connector, be sure not to rotate nor tilt the Interface Connector of the TFT Module.
- 10) After installation of the TFT Module into an enclosure, do not twist nor bend the TFT Module even momentary. At designing the enclosure, it should be taken into consideration that no bending/twisting forces are applied to the TFT Module from outside. Otherwise the TFT Module may be damaged.
- 11) Small amount of materials having no flammability grade is used in the LCD module. The LCD module should be supplied by power complied with requirements of Limited Power Source (IEC60950 or UL1950), or be applied exemption.
- 12) Severe temperature condition may result in different luminance, response time and LED life time.
- 13) The data on this specification sheet is applicable when LCD module is placed in landscape position.
- 14) Continuous displaying fixed pattern may induce image sticking. It is recommended to use screen saver or shuffle content periodically if fixed pattern is displayed on the screen.

2. General Description

This specification applies to the 21.5 inch-wide Color TFT-LCD Module G215HVN01.3. The display supports the Full HD - 1920(H) x 1080(V) screen format and 16.7M colors (RGB 8-bits data). All input signals are dual channel LVDS interface.

LED driver board is included. G215HVN01.3 is designed for industrial display applications.

2.1 Display Characteristics

The following items are characteristics summary on the table under 25°C condition:

| ITEMS | Unit | SPECIFICATIONS |
|----------------------------|----------------------|-----------------------------------|
| Screen Diagonal | [inch] | 21.5 |
| Active Area | [mm] | 476.64 (H) x 268.11 (V) |
| Pixels H x V | | 1920(x3) x 1080 |
| Pixel Pitch | [um] | 248.25 (per one triad) x248.25 |
| Pixel Arrangement | | R.G.B. Vertical Stripe |
| Display Mode | | VA Mode, Normally Black |
| White Luminance (Center) | [cd/m ²] | 1000 (Typ.) |
| Contrast Ratio | | 5000 (Typ.) |
| Optical Response Time | [msec] | 25 ms (Typ., on/off) |
| Nominal Input Voltage | [Volt] | +5.0 V |
| Backlight Input Voltage | [Volt] | +3 V |
| Power Consumption | [Watt] | 26.7 W (Typ. Cell 3.5 + LED 23.2) |
| Weight | [Grams] | 1,850 (± 185 g) |
| Physical Size | [mm] | 495.6(W) x 292.2(H) x 24.05(D) |
| Electrical Interface | | Dual channel LVDS |
| Support Color | | 16.7M colors (RGB 8 bits) |
| Surface Treatment | | Anti-Glare, 3H |
| Temperature Range | | |
| Operating | [°C] | -20 to +80 |
| Storage (Non-Operating) | [°C] | -20 to +80 |
| RoHS Compliance | | RoHS Compliance |
| TCO Compliance | | TCO 5.1 Compliance |

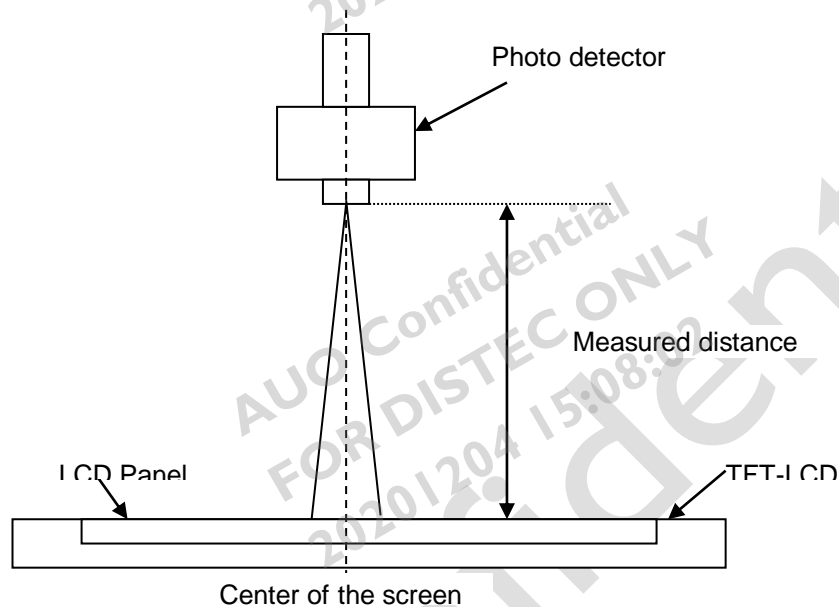
2.2 Optical Characteristics

The optical characteristics are measured under stable conditions at 25°C:

| Item | Unit | Conditions | Min. | Typ. | Max. | Note |
|---|----------------------|--------------------------------------|----------|----------|--------|------|
| Viewing Angle | [degree] | Horizontal (Right) CR = 10 (Left) | 75 75 | 89 89 | - - | 1, 2 |
| | [degree] | Vertical (Upper) CR = 10 (Lower) | 75 75 | 89 89 | - - | |
| Contrast ratio | | Normal Direction | 3000 | 5000 | - | 3 |
| Response Time | [msec] | Raising Time (T _{rR}) | - | 20 | 25 | 4 |
| | | Falling Time (T _{rF}) | - | 5 | 10 | |
| | | Raising + Falling | - | 25 | 35 | |
| Color / Chromaticity Coordinates (CIE) | | Red x | 0.604 | 0.654 | 0.704 | 5 |
| | | Red y | 0.286 | 0.336 | 0.386 | |
| | | Green x | 0.271 | 0.321 | 0.371 | |
| | | Green y | 0.573 | 0.623 | 0.673 | |
| | | Blue x | 0.102 | 0.152 | 0.202 | |
| | | Blue y | 0.015 | 0.065 | 0.115 | |
| Color Coordinates (CIE) White | | White x | 0.263 | 0.313 | 0.363 | |
| | | White y | 0.279 | 0.329 | 0.379 | |
| Central Luminance | [cd/m ²] | | 800 | 1000 | - | 6 |
| Luminance Uniformity | [%] | | 75 | 80 | - | 7 |
| Crosstalk (in 60Hz) | [%] | | | | 1.5 | 8 |
| Flicker | dB | | | | -20 | 9 |

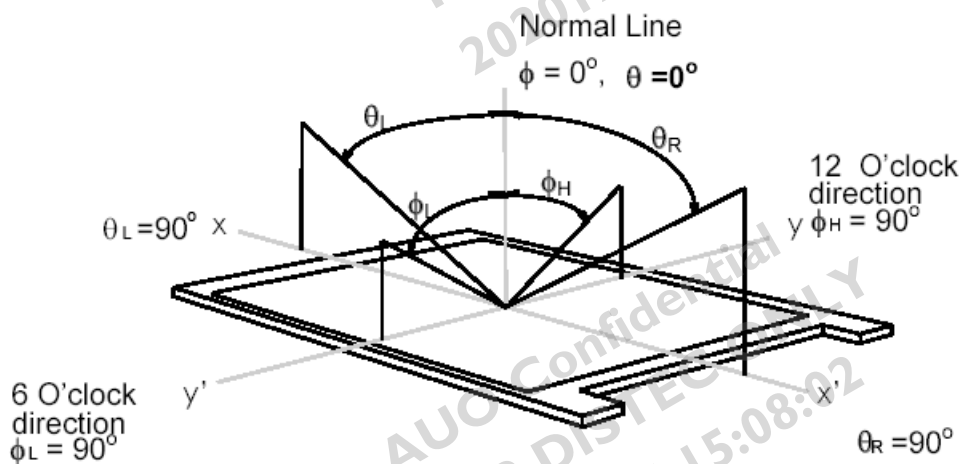
Note 1: Measurement method

Before measuring, the LCD module should be turn on 30 minutes at room temperature. In order to stabilize the luminance, the measurement should be executed after lighting Backlight for 30 minutes in a stable, windless and dark room.



Note 2: Definition of viewing angle measured by ELDIM (EZContrast 88)

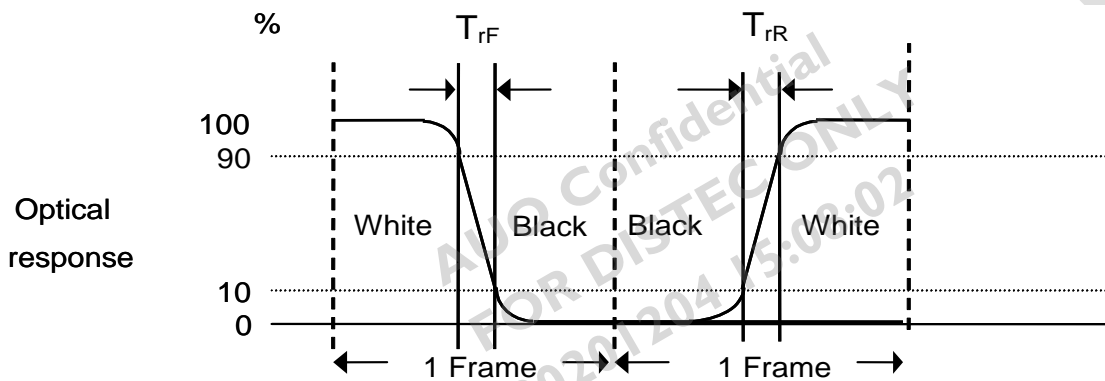
Viewing angle is the measurement of contrast ratio ≥ 10 , at the screen center, over a 180° horizontal and 180° vertical range (off-normal viewing angles). The 180° viewing angle range is broken down as follows; 90° (θ) horizontal left and right and 90° (ϕ) vertical, high (up) and low (down). The measurement direction is typically perpendicular to the display surface with the screen rotated about its center to develop the desired measurement viewing angle.



Note 3: Contrast ratio is measured by TOPCON SR-3

Note 4: Definition of Response time measured by Westar TRD-100A

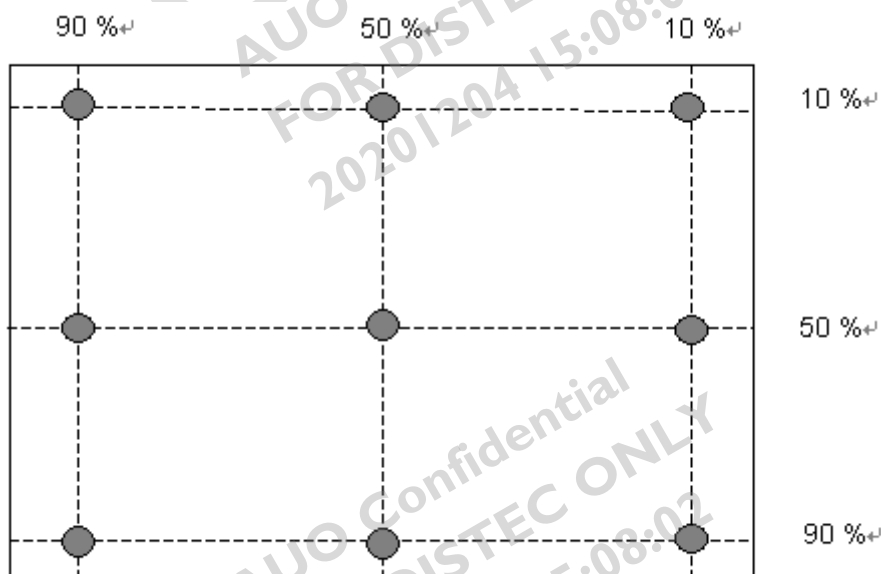
The output signals of photo detector are measured when the input signals are changed from “Full Black” to “Full White” (rising time, T_{rR}), and from “Full White” to “Full Black” (falling time, T_{rF}), respectively. The response time is interval between the 10% and 90% (1 frame at 60 Hz) of amplitudes.



Note 5: Color chromaticity and coordinates (CIE) is measured by TOPCON SR-3

Note 6: Central luminance is measured by TOPCON SR-3

Note 7: Luminance uniformity of these 9 points is defined as below and measured by TOPCON SR-3



$$\text{Uniformity} = \frac{\text{Minimum Luminance in 9 points (1-9)}}{\text{Maximum Luminance in 9 Points (1-9)}}$$

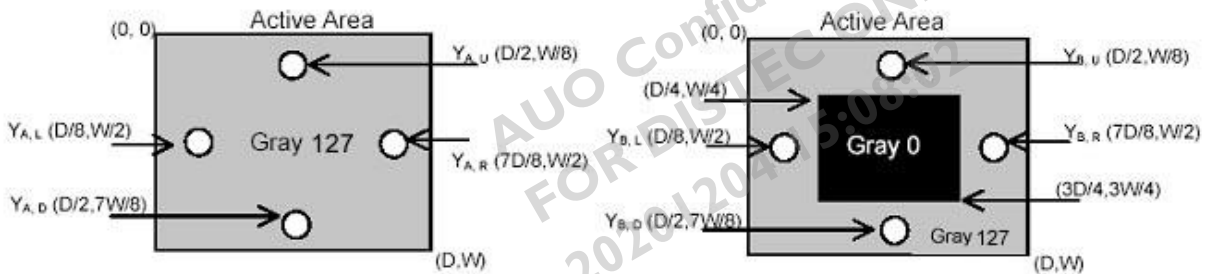
Note 8: Crosstalk is defined as below and measured by TOPCON SR-3

$$CT = |Y_B - Y_A| / Y_A \times 100 (\%)$$

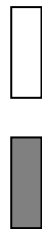
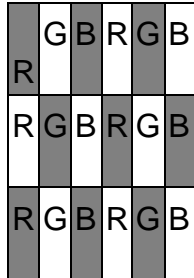
Where

Y_A = Luminance of measured location without gray level 0 pattern (cd/m²)

Y_B = Luminance of measured location with gray level 0 pattern (cd/m²)



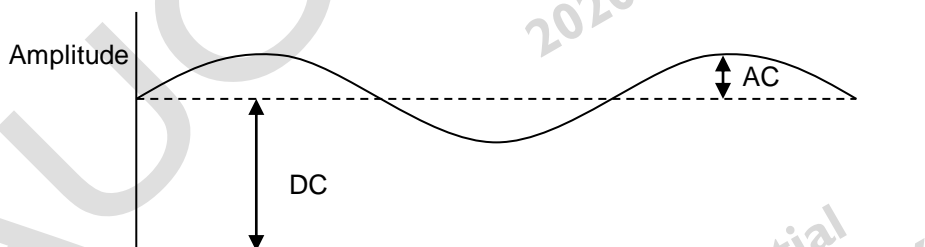
Note 9: Test Pattern: Subchecker Pattern measured by TOPCON SR-3



Gray Level = L127

Gray Level = L0

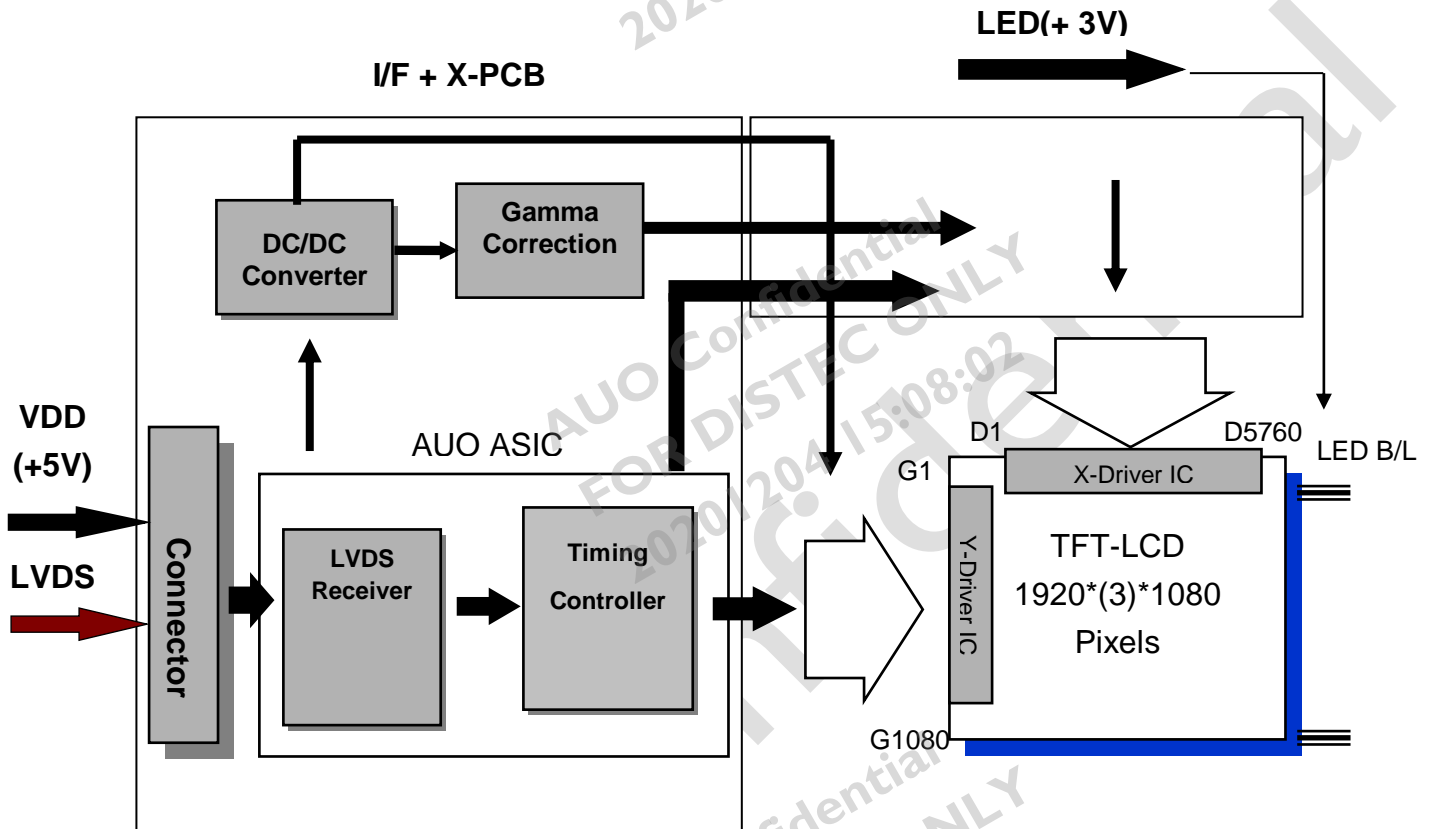
Method: Record dB value with TRD-100



$$\text{Flicker (dB)} = 20 \log \frac{\text{AC Level (at 30 Hz)}}{\text{DC Level}}$$

3. Functional Block Diagram

The following diagram shows the functional block of this model.



LVDS Connector: JAE (FI-XB30SRL-HF11) or equivalent.

LED Connector: CviLux (C11406M1HRL-NH) or equivalent.

4. Absolute Maximum Ratings

4.1 TFT LCD Module

| Item | Symbol | Min | Max | Unit | Conditions |
|-------------------------|--------|-----|-----|--------|------------|
| Logic/LCD Drive Voltage | VDD | 0 | 5.5 | [Volt] | Note 1,2 |

4.2 Backlight Unit

| Item | Symbol | Min | Max | Unit | Conditions |
|-------------------|--------|-----|-----|--------|------------|
| LED Input Voltage | LED | 3.0 | 3.3 | [Volt] | Note 1,2 |

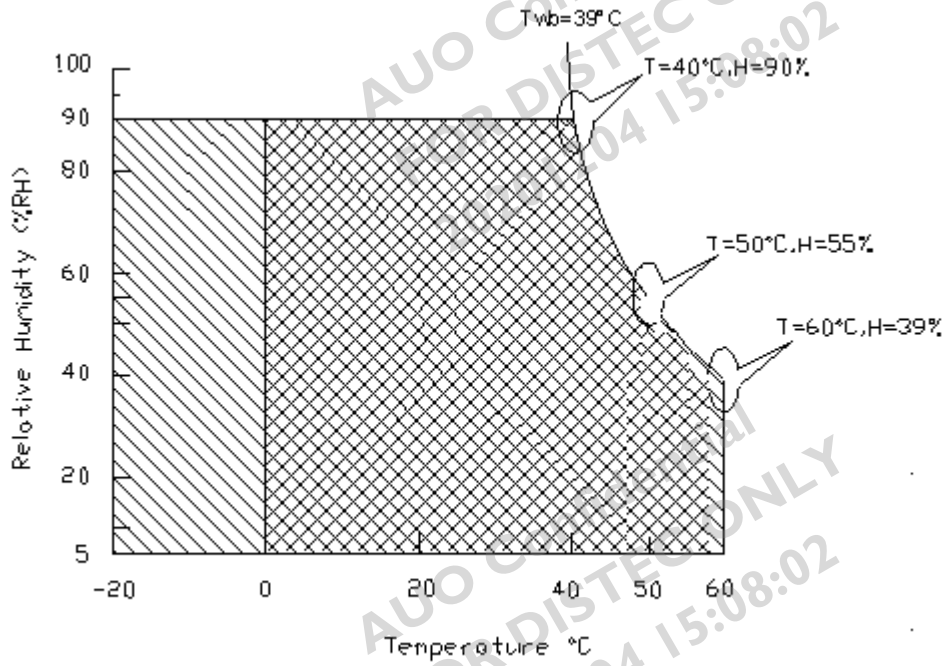
4.3 Absolute Ratings of Environment

| Item | Symbol | Min. | Max. | Unit | Conditions |
|-----------------------|--------|------|------|-------|------------|
| Operating Temperature | TOP | -20 | +80 | [°C] | Note 3 & 4 |
| Operation Humidity | HOP | 5 | 90 | [%RH] | |
| Storage Temperature | TST | -20 | +80 | [°C] | |
| Storage Humidity | HST | 5 | 90 | [%RH] | |

Note 1: With in Ta (25°C)

Note 2: Permanent damage to the device may occur if exceeding maximum values

Note 3: For quality performance, please refer to AUO IIS (Incoming Inspection Standard).



Operating Range  Storage Range  + 

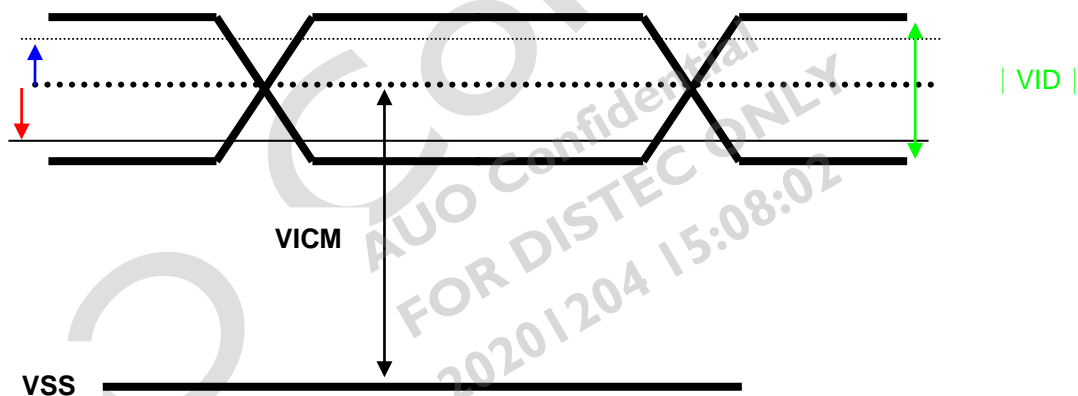
Note 4: Operation Temperature + 60°C is defined as panel surface temperature.

5.1.2 Signal Electrical Characteristics

Input signals shall be low or Hi-Z state when VDD is off. Please refer to specifications of SN75LVDS82DGG (Texas Instruments) in detail.

| Symbol | Parameter | Min | Typ | Max | Units | Condition |
|------------|--|------|------|------|-------|---|
| V_{TH} | Differential Input High Threshold | - | - | +100 | [mV] | $V_{CM} = 1.2V$, Note 1 |
| V_{TL} | Differential Input Low Threshold | -100 | - | - | [mV] | $V_{CM} = 1.2V$ Note 1 |
| $ V_{ID} $ | Input Differential Voltage | 100 | - | 600 | [mV] | Note 1 |
| V_{CM} | Differential Input Common Mode Voltage | +1.0 | +1.2 | +1.5 | [V] | $V_{TH} - V_{TL} = 200MV$ (max) Note 1 |

Note 1: LVDS Signal Waveform



5.2 Backlight Unit

5.2.1 LED

Following characteristics are measured under stable condition at 25°C (Room Temperature).

| Symbol | Parameter | Min | Typ | Max | Unit | Remark |
|----------------|-------------------------------------|--------|------|------|------|------------------|
| LED | Input Voltage | 2.61 | 2.9 | 3.19 | Volt | |
| PLED | Power Consumption | - | 23.2 | 26.4 | Watt | |
| I _F | LED Forward Current | - | 50 | - | mA | Ta = 25°C, Note1 |
| LTLED | LED Life Time (Brightness decay) | 50,000 | - | - | Hrs | Note 4 |

Note 1: Ta means ambient temperature.

Note 2: If module is driven by high current or at high ambient temperature & humidity condition. The operating life will be reduced.

Note 3: LED light bar structure: (2 Light bar x 4 strings x 20pcs / string =160pcs LED)

Note 4: Definition of life time: Brightness becomes to 50% of its original value. The minimum life time of LED unit is on the condition of I_F = 50 mA and 25°C (Room Temperature).

5.2.2 Input of BLU (with driver)

(Darwin P/N : [55.21G0W.DE0](#) DARFON Model : [V351-405](#))

| Item | Symbol | Min. | Typ. | Max. | Unit | Note |
|-------------------|--|-------------------------------------|-------|------|-------|------|
| Driving Type | <input type="checkbox"/> Analog <input checked="" type="checkbox"/> PWM 180 Hz | | | | | |
| Input voltage | V _{in} | 10.8 | 12 | 13.2 | V[dc] | |
| Input current | I _{in} | - | 3.42 | - | A[dc] | |
| Power consumption | P _{BL} | | 41.04 | | Watt | |
| Test conditions | Environment | T=25±3°C H=65±20% | | | | |
| | Method | See attachment " test detail-1 (a)" | | | | |

5.2.3 Pin assignment: Define by Light-bar Drawing:

| | |
|--------------------------------------|--------|
| LED light-bar Connector Manufacturer | Cvilux |
|--------------------------------------|--------|

Input connector (CN901)

TYPE:CI0110M1HRO-NH(CVILUX) or compatible

| Pin No. | Signal Name | Feature |
|---------|-------------|--------------------------------|
| 1 | VCC | Supply Voltage 12V |
| 2 | VCC | Supply Voltage 12V |
| 3 | VCC | Supply Voltage 12V |
| 4 | VCC | Supply Voltage 12V |
| 5 | GND | Ground |
| 6 | GND | Ground |
| 7 | GND | Ground |
| 8 | GND | Ground |
| 9 | BLON | BL ON/OFF |
| 10 | E_PWM | External PWM Control (HW mode) |

Output connector (CN101 ,CN201)

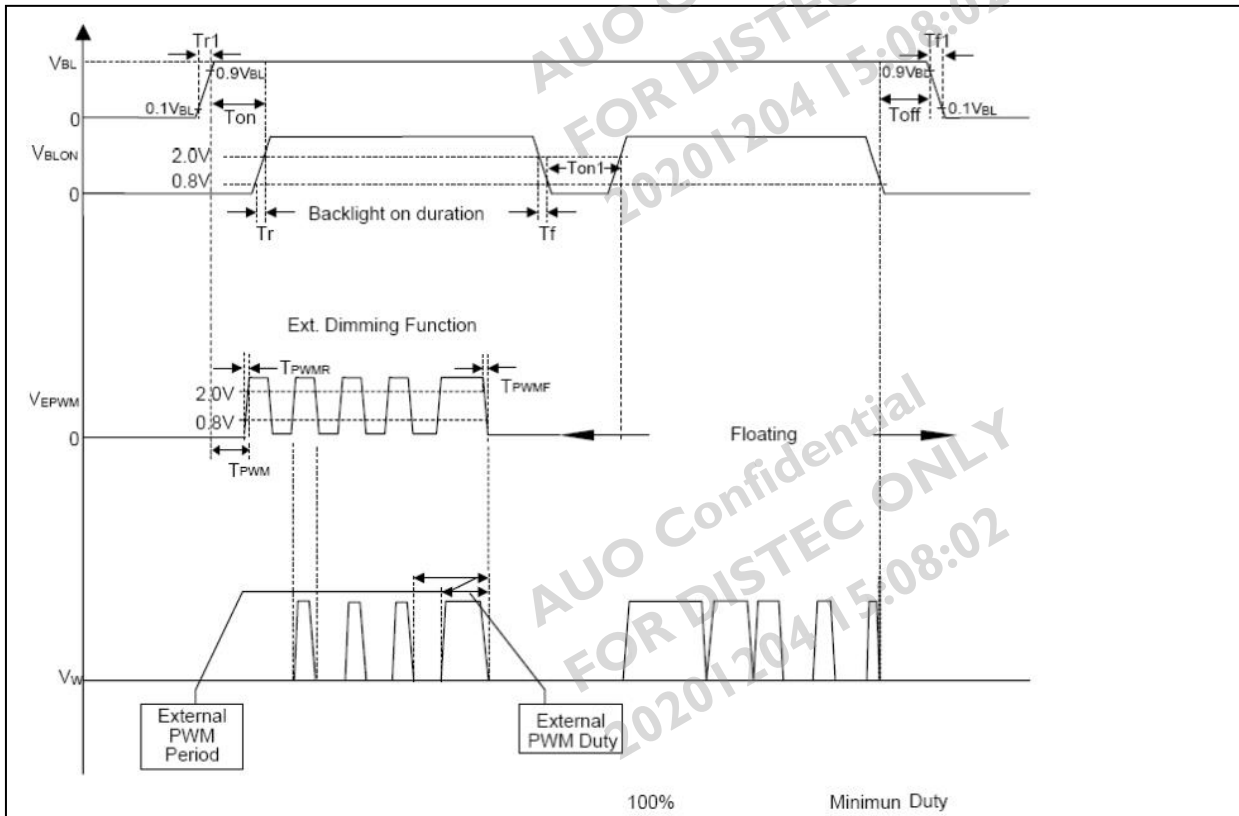
TYPE:3707K-X6N-00X(ENTERY) or compatible

| Pin No | Symbol | I/O | Description |
|--------|-------------|-----|----------------------|
| 1 | 1-1 Cathode | O | Cathode of LB-D PIN1 |
| 2 | 1-2 Cathode | O | Cathode of LB-D PIN2 |
| 3 | 1-1 Anode | O | Anode of LB-D PIN3 |
| 4 | 1-2 Anode | O | Anode of LB-D PIN4 |
| 5 | 1-3 Cathode | O | Cathode of LB-D PIN5 |
| 6 | 1-4 Cathode | O | Cathode of LB-D PIN6 |

| Pin No | Symbol | I/O | Description |
|--------|-------------|-----|----------------------|
| 1 | 2-1 Cathode | O | Cathode of LB-U PIN1 |
| 2 | 2-2 Cathode | O | Cathode of LB-U PIN2 |
| 3 | 2-1 Anode | O | Anode of LB-U PIN3 |
| 4 | 2-2 Anode | O | Anode of LB-U PIN4 |
| 5 | 2-3 Cathode | O | Cathode of LB-U PIN5 |
| 6 | 2-4 Cathode | O | Cathode of LB-U PIN6 |

5.2.4 Interface Characteristics

| No | ITEM | SYMBOL | CONDITION TEST | MIN | TYPE | MAX | UNIT | NOTE(11-13) | | |
|----|------------------------------------|--------|----------------|----------|------|-----|------|---|--------------|-----------|
| 1 | On/Off Control Voltage | ON | VBLON | 2.0 | — | 5 | V | | | |
| | | OFF | | 0 | — | 0.8 | V | | | |
| 2 | Error Signal | ERR | — | — | — | — | — | Normal: GND Abnormal: Open collector (Note 12) | | |
| 3 | External PWM Control Voltage | H | E_PWM | VSEL = H | 2.0 | — | 3.3 | V | ON Duration | (Note 13) |
| | | L | | VSEL = H | 0 | — | 0.8 | V | OFF Duration | |
| 4 | Control Signal Rising Time | Tr | — | — | — | 100 | ms | See Fig.1 | | |
| 5 | Control Signal Falling Time | Tf | — | — | — | 100 | ms | | | |
| 6 | VBL Rising Time | Tr1 | — | 20 | — | — | ms | | | |
| 7 | VBL Falling Time | Tf1 | — | 20 | — | — | ms | | | |
| 8 | PWM Signal Rising Time | TPWMR | — | — | — | 50 | us | | | |
| 9 | PWM Signal Falling Time | TPWMF | — | — | — | 50 | us | | | |
| 10 | Input impedance | RIN | — | 300 | — | — | KΩ | VBLON / VEPWM | | |
| 11 | BLON Delay Time | Ton | — | 300 | — | 500 | mS | | | |
| 12 | BLON Off Time | Toff | — | 300 | — | 500 | ms | | | |
| 13 | External Dimming Control Frequency | FEPWM | — | 90 | 180 | 240 | Hz | | | |
| 14 | External Dimming Control Duty | EPWM | — | 0 | — | 100 | % | | | |



Note 9: Even if control signal over range in any conditions, there must no smell, smoke, and fire cause by any failure on Converter PCB or components.

Note 10: With any kind of power sequence and timing, the Converter must not damage or malfunction.

Note 11: The Converter interface please refers to Fig.1.

Note 12: When converter protective function is triggered, DET will output open collector status.

Note 13: The E_PWM interface circuit must pull high when the function is floating.

5.2.5 Protection Characteristics

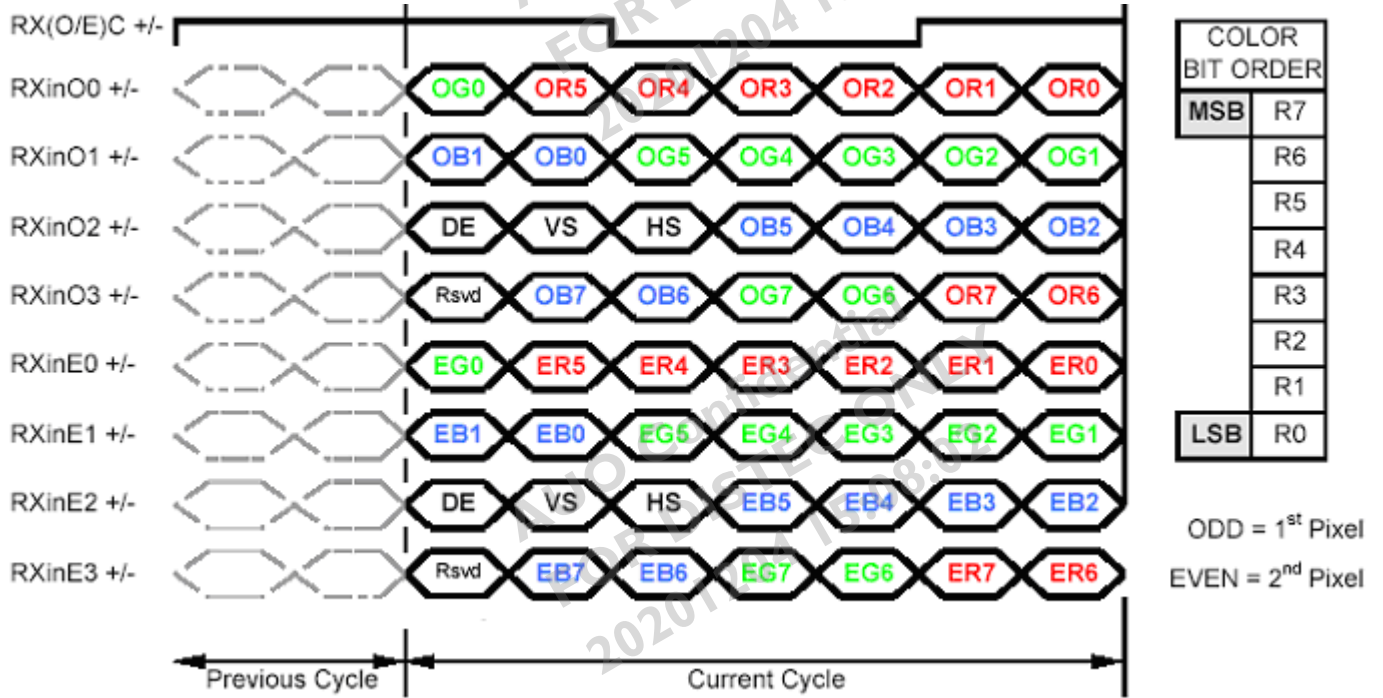
| NO | ITEM | TEST CONDITION | RESPONSE OF SUBJECT | NOTE |
|----|--------------------------------------|----------------|--|------|
| 1 | Output Short Circuit Protection(SCP) | Each Output | Shutdown or (fuse open) | |
| 2 | Output Over Voltage Protection(OVP) | 70 Vmax | Shutdown or (Latch) | |
| 3 | Input Over Voltage Protection (IOP) | - | Shutdown or (Auto-reset) | |
| 4 | Output Connector Open | Each Connector | No damage or azardous condition will occur | |

6.2 Signal Description

The module using a pair of LVDS receiver SN75LVDS82(Texas Instruments) or compatible. LVDS is a differential signal technology for LCD interface and high speed data transfer device. Transmitter shall be SN75LVDS83(negative edge sampling) or compatible. The first LVDS port(RxOxxx) transmits odd pixels while the second LVDS port(RxExxx) transmits even pixels.

| PIN # | SIGNAL NAME | DESCRIPTION |
|-------|-------------|--|
| 1 | RXinO0- | Negative LVDS differential data input (Odd data) |
| 2 | RXinO0+ | Positive LVDS differential data input (Odd data) |
| 3 | RXinO1- | Negative LVDS differential data input (Odd data) |
| 4 | RXinO1+ | Positive LVDS differential data input (Odd data) |
| 5 | RXinO2- | Negative LVDS differential data input (Odd data, H-Sync, V-Sync, DSPTMG) |
| 6 | RXinO2+ | Positive LVDS differential data input (Odd data, H-Sync, V-Sync, DSPTMG) |
| 7 | GND | Power Ground |
| 8 | RxOCLKIN- | Negative LVDS differential clock input (Odd clock) |
| 9 | RxOCLKIN+ | Positive LVDS differential clock input (Odd clock) |
| 10 | RXinO3- | Negative LVDS differential data input (Odd data) |
| 11 | RXinO3+ | Positive LVDS differential data input (Odd data) |
| 12 | RXinE0- | Negative LVDS differential data input (Even data) |
| 13 | RXinE0+ | Positive LVDS differential data input (Even data) |
| 14 | GND | Power Ground |
| 15 | RXinE1- | Negative LVDS differential data input (Even data) |
| 16 | RXinE1+ | Positive LVDS differential data input (Even data) |
| 17 | GND | Power Ground |
| 18 | RXinE2- | Negative LVDS differential data input (Even data) |
| 19 | RXinE2+ | Positive LVDS differential data input (Even data) |
| 20 | RxECLKIN- | Negative LVDS differential clock input (Even clock) |
| 21 | RxECLKIN+ | Positive LVDS differential clock input (Even clock) |
| 22 | RXinE3- | Negative LVDS differential data input (Even data) |
| 23 | RXinE3+ | Positive LVDS differential data input (Even data) |
| 24 | GND | Power Ground |
| 25 | NC | No connection (for AUO test only. Do not connect) |
| 26 | NC | No connection (for AUO test only. Do not connect) |
| 27 | NC | No connection (for AUO test only. Do not connect) |
| 28 | VDD | Power +5V |
| 29 | VDD | Power +5V |
| 30 | VDD | Power +5V |

6.3 The Input Data Format



Note1: 8-bits signal input.
Note2: L:NS alike H:Thine alike

6.4 Interface Timing

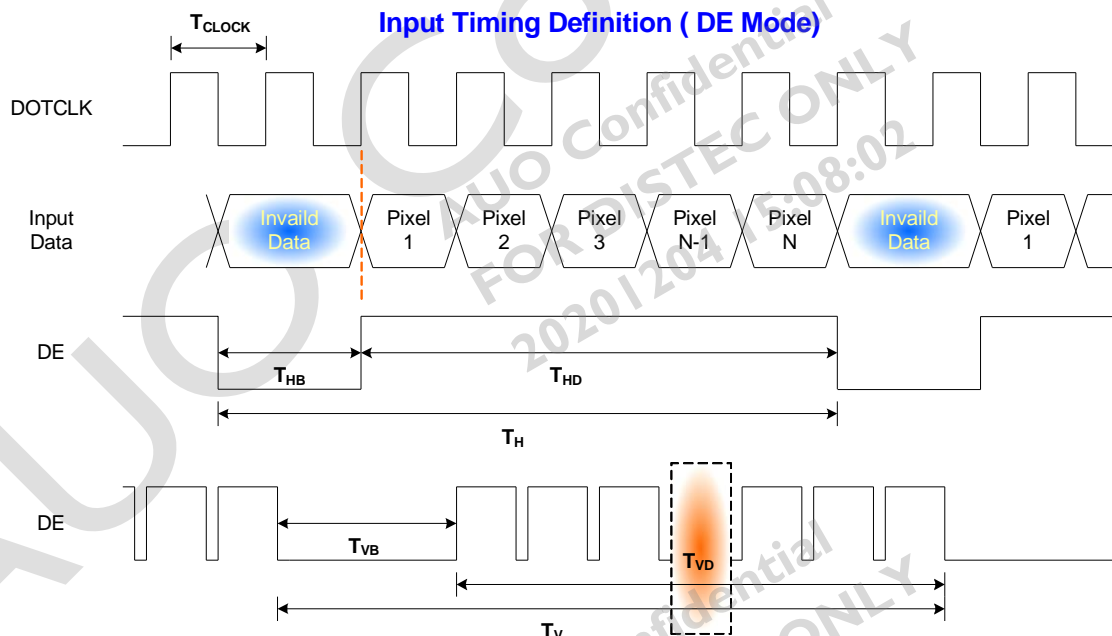
6.4.1 Timing Characteristics

| Signal | Item | Symbol | Min | Typ | Max | Unit |
|--------------------|-----------|-----------------------|------|------|------|---------|
| Clock | Frequency | $1/ T_{\text{Clock}}$ | 40 | 72 | 83 | MHz |
| Frame Rate | Frequency | F | 50 | 60 | 75 | Hz |
| Vertical Section | Period | T_V | 1092 | 1130 | 1653 | T_line |
| | Active | T_{VD} | 1080 | 1080 | 1080 | |
| | Blanking | T_{VB} | 12 | 50 | 573 | |
| Horizontal Section | Period | T_H | 1004 | 1050 | 1100 | T_clock |
| | Active | T_{HD} | 960 | 960 | 960 | |
| | Blanking | T_{HB} | 44 | 90 | 140 | |

Note: DE mode only.

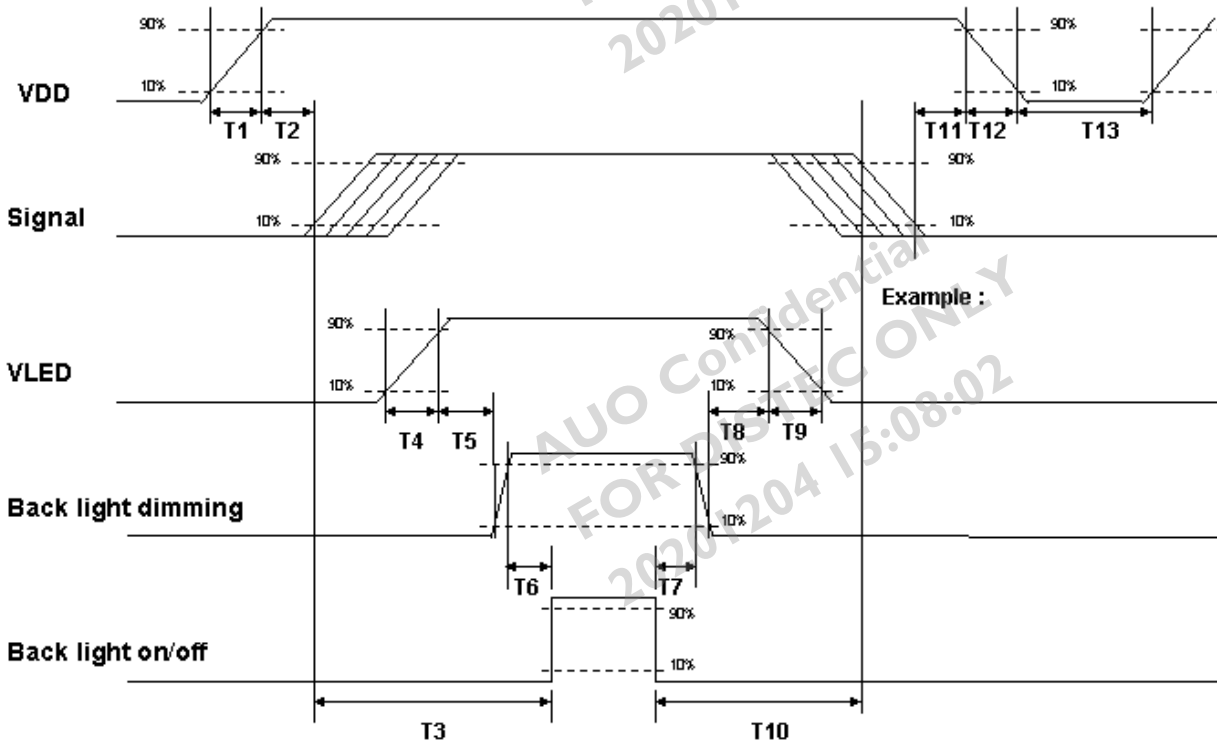
Note: Typical value refer to VESA STANDARD

6.4.2 Input Timing Diagram



6.5 Power ON/OFF Sequence

VDD power and B/L on/off sequence is as below. Interface signals are also shown in the chart. Signals from any system shall be Hi-Z state or low level when VDD is off.



Power ON/OFF sequence timing

| Parameter | Value | | | Units |
|-----------|-------|------|------|-------|
| | Min. | Typ. | Max. | |
| T1 | 0.5 | -- | 10 | [ms] |
| T2 | 30 | 40 | 50 | [ms] |
| T3 | 200 | -- | -- | [ms] |
| T4 | 0.5 | -- | 10 | [ms] |
| T5 | 10 | -- | -- | [ms] |
| T6 | 10 | -- | -- | [ms] |
| T7 | 0 | -- | -- | [ms] |
| T8 | 10 | -- | -- | [ms] |
| T9 | -- | -- | 10 | [ms] |
| T10 | 110 | -- | -- | [ms] |
| T11 | 0 | 16 | 50 | [ms] |
| T12 | -- | -- | 10 | [ms] |
| T13 | 1000 | -- | -- | [ms] |

The above on/off sequence should be applied to avoid abnormal function in the display. Please make sure to turn off the power when you plug the cable into the input connector or pull the cable out of the connector.

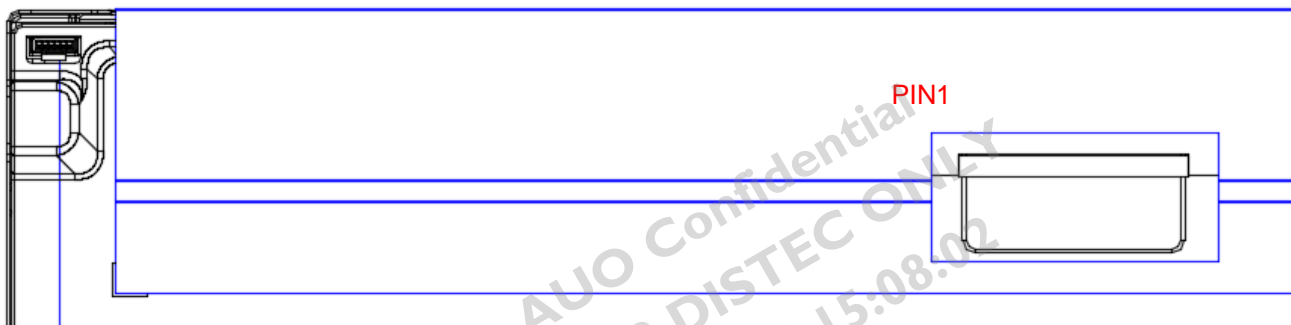
7. Connector & Pin Assignment

Physical interface is described as for the connector on module. These connectors are capable of accommodating the following signals and will be following components.

7.1 TFT LCD Module: LVDS Connector

| Connector Name / Designation | Interface Connector / Interface card |
|------------------------------|--------------------------------------|
| Manufacturer | JAE or compatible |
| Type Part Number | JAE (FI-XB30SRL-HF11) or equivalent |
| Mating Housing Part Number | FI-X30HL (JAE) or compatible |

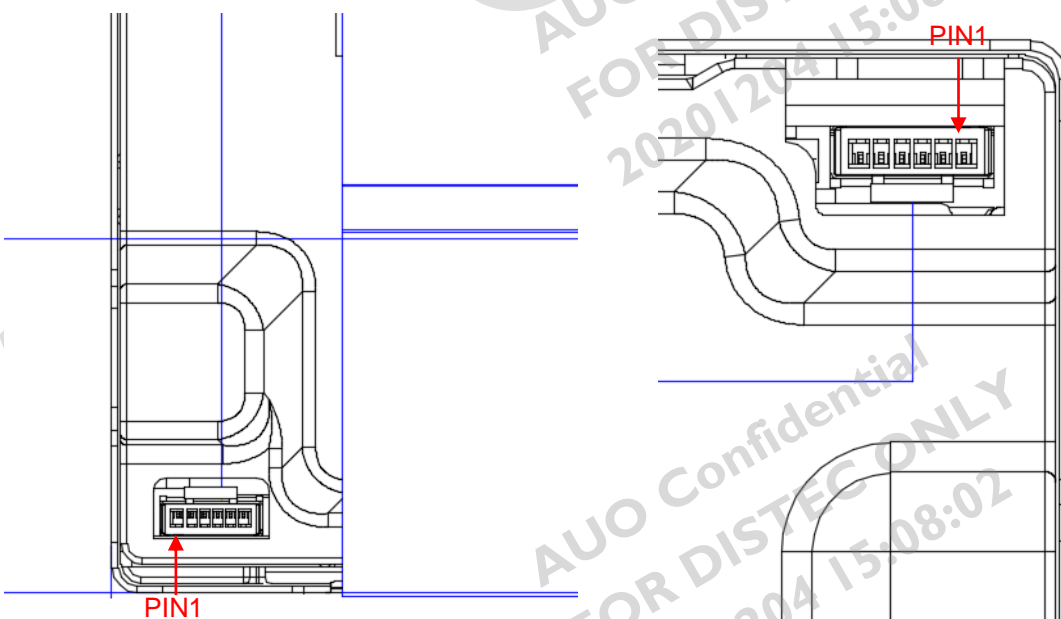
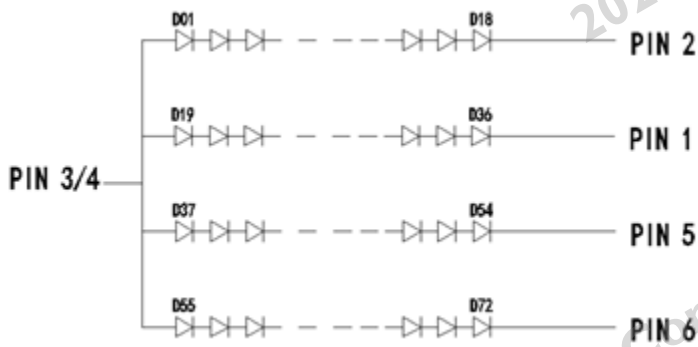
| Pin# | Signal Name | Pin# | Signal Name |
|------|-------------|------|-------------|
| 1 | RxOIN0- | 2 | RxOIN0+ |
| 3 | RxOIN1- | 4 | RxOIN1+ |
| 5 | RxOIN2- | 6 | RxOIN2+ |
| 7 | GND | 8 | RxOCLKIN- |
| 9 | RxOCLKIN+ | 10 | RxOIN3- |
| 11 | RxOIN3+ | 12 | RxEIN0- |
| 13 | RxEIN0+ | 14 | GND |
| 15 | RxEIN1- | 16 | RxEIN1+ |
| 17 | GND | 18 | RxEIN2- |
| 19 | RxEIN2+ | 20 | RxECLKIN- |
| 21 | RxECLKIN+ | 22 | RxEIN3- |
| 23 | RxEIN3+ | 24 | GND |
| 25 | NC | 26 | NC |
| 27 | NC | 28 | VDD |
| 29 | VDD | 30 | VDD |



7.2 Backlight Unit: LED Connector

| Connector Name / Designation | LED Connector |
|------------------------------|---|
| Manufacturer | ENTERY or compatible |
| Connector Model Number | ENTERY 3707K-S06N-01(White) or equivalent |

| PIN # | SIGNAL NAME | DESCRIPTION |
|-------|-------------|--------------------|
| 1 | LED | Negative electrode |
| 2 | LED | Negative electrode |
| 3 | LED | Positive electrode |
| 4 | LED | Positive electrode |
| 5 | LED | Negative electrode |
| 6 | LED | Negative electrode |



8. Reliability Test

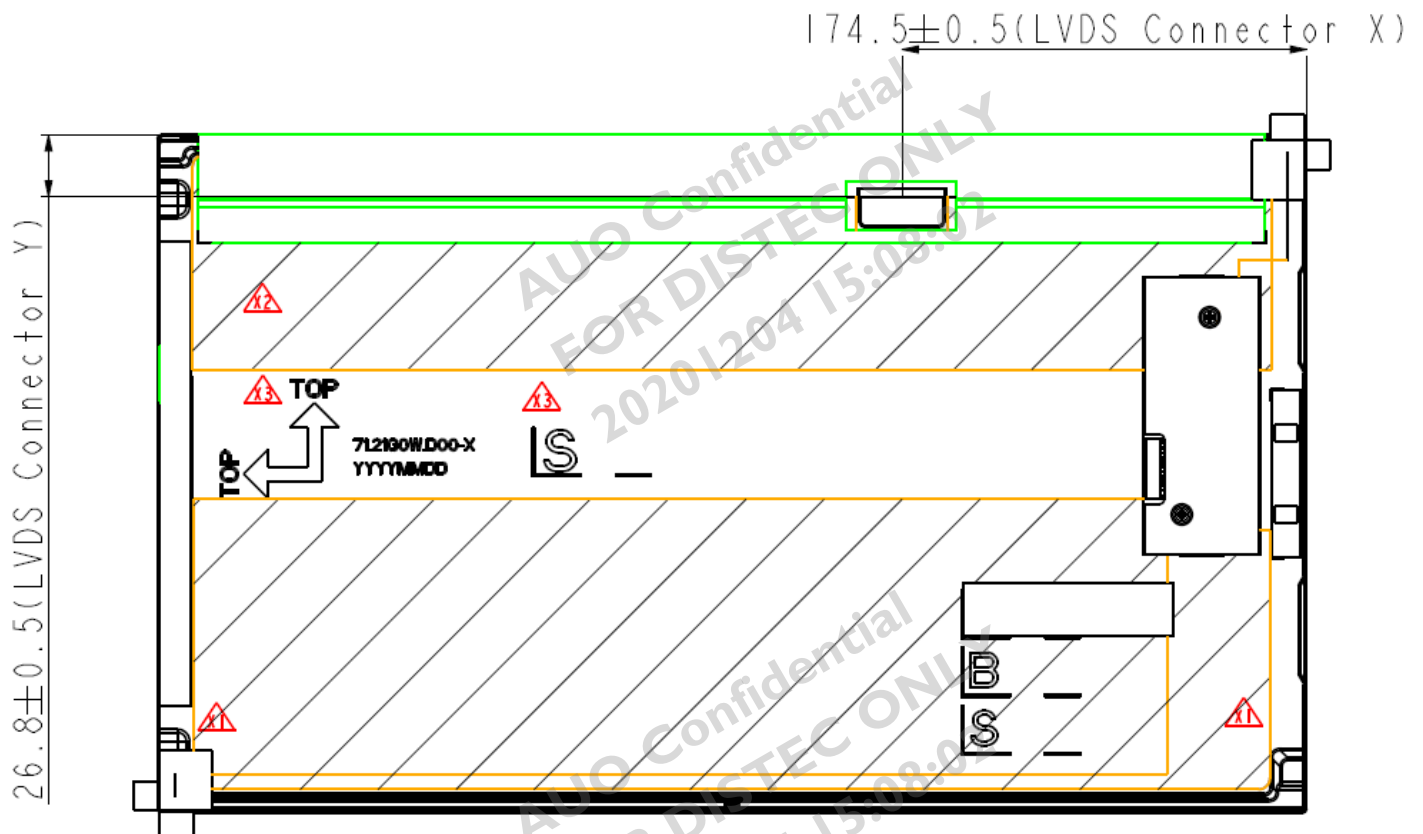
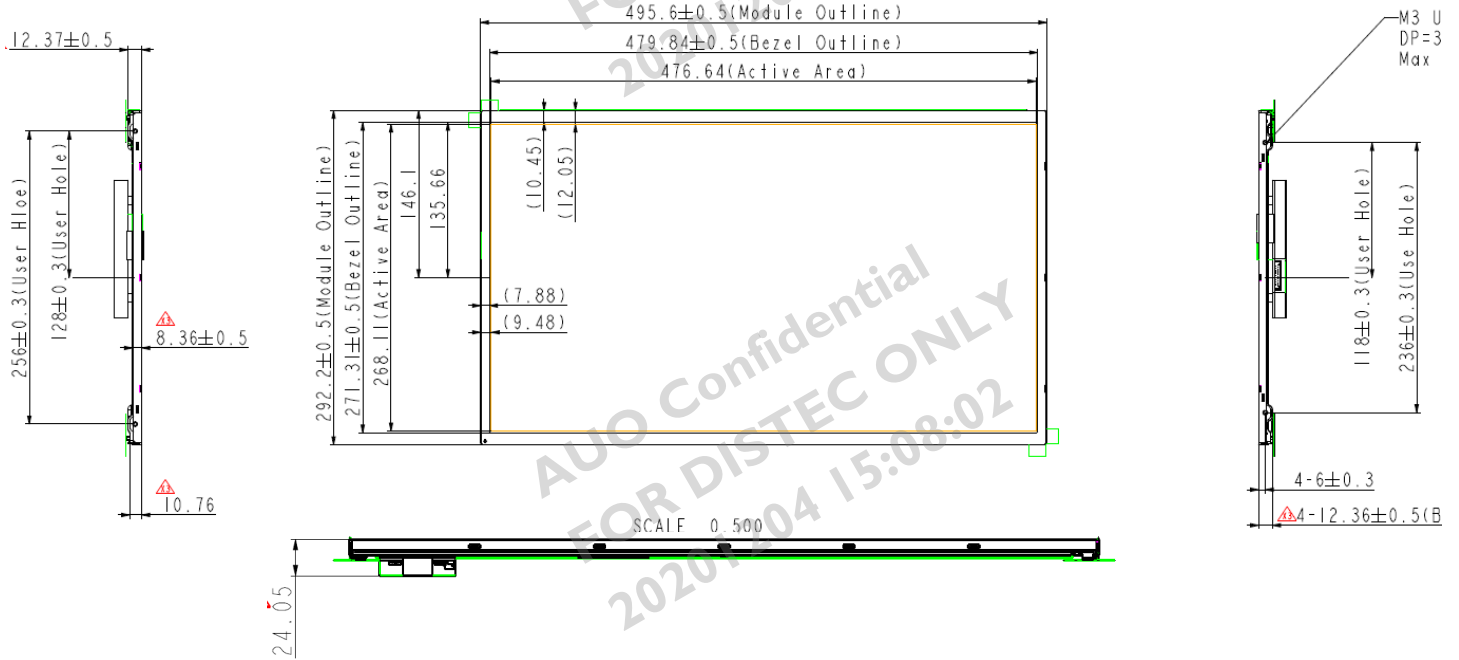
Environment test conditions are listed as following table.

| Items | Required Condition | Note |
|-----------------------------------|---|----------|
| Temperature Humidity Bias (THB) | Ta= 50°C, 80%RH, 300hours | |
| High Temperature Operation (HTO) | Ta= 80°C, 300hours | |
| Low Temperature Operation (LTO) | Ta= 0°C, 300hours | |
| High Temperature Storage (HTS) | Ta= 80°C, 300hours | |
| Low Temperature Storage (LTS) | Ta= -20°C, 300hours | |
| Vibration Test (Non-operation) | Acceleration: 1.5 Grms Wave: Random Frequency: 10 - 200 Hz Duration: 30 Minutes each Axis (X, Y, Z) | |
| Shock Test (Non-operation) | Acceleration: 50 G Wave: Half-sine Active Time: 20 ms Direction: ±X, ±Y, ±Z (one time for each Axis) | |
| Drop Test | Height: 61 cm, package test | |
| Thermal Shock Test (TST) | -20°C/30min, 60°C/30min, 100 cycles | 1 |
| On/Off Test | On/10sec, Off/10sec, 30,000 cycles | |
| ESD (Electro Static Discharge) | Contact Discharge: ± 8KV, 150pF(330Ω) 1sec, 15 points, 25 times/ point. | 2 |
| | Air Discharge: ± 15KV, 150pF(330Ω) 1sec 15 points, 25 times/ point. | |
| | | |

Note 1: The TFT-LCD module will not sustain damage after being subjected to 100 cycles of rapid temperature change. A cycle of rapid temperature change consists of varying the temperature from -20°C to 60°C, and back again. Power is not applied during the test. After temperature cycling, the unit is placed in normal room ambient for at least 4 hours before power on.

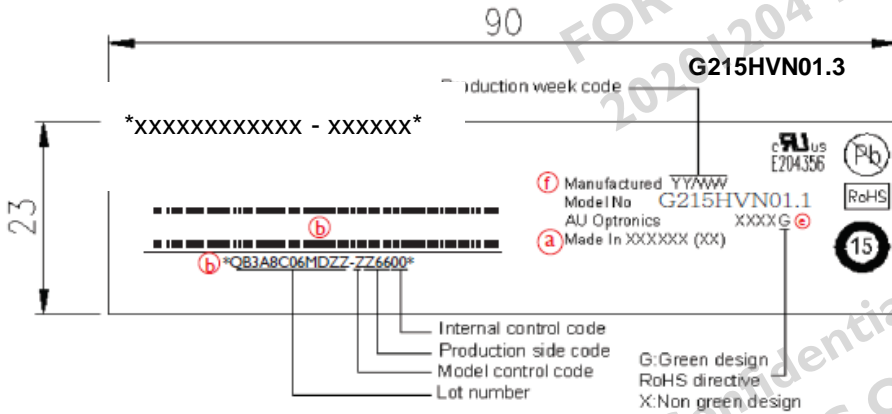
Note2: According to EN61000-4-2, ESD class B: Some performance degradation allowed. No data lost
Self-recoverable. No hardware failures.

9. Mechanical Characteristics

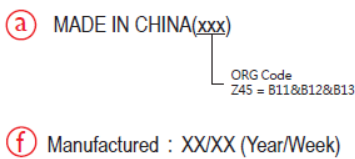
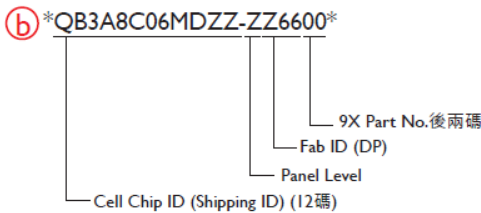


10. Label and Packaging

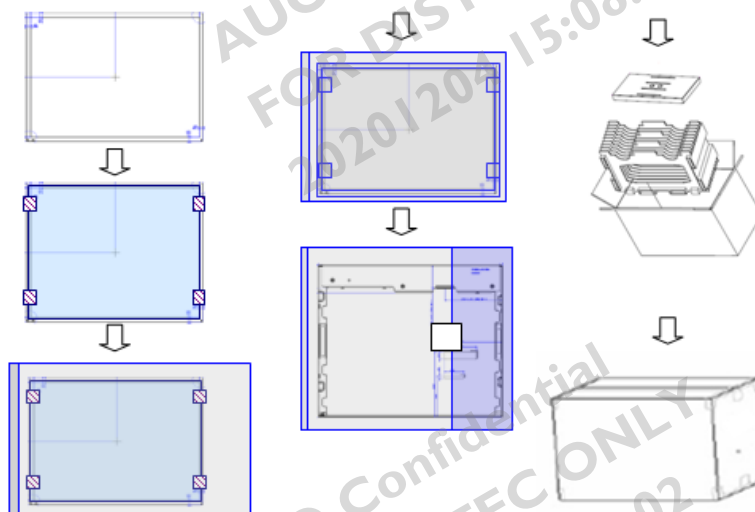
10.1 Shipping Label (on the rear side of TFT-LCD display)



| Part No. | Model Name |
|--------------|-------------|
| 97.21G01.300 | G215HVN01.3 |



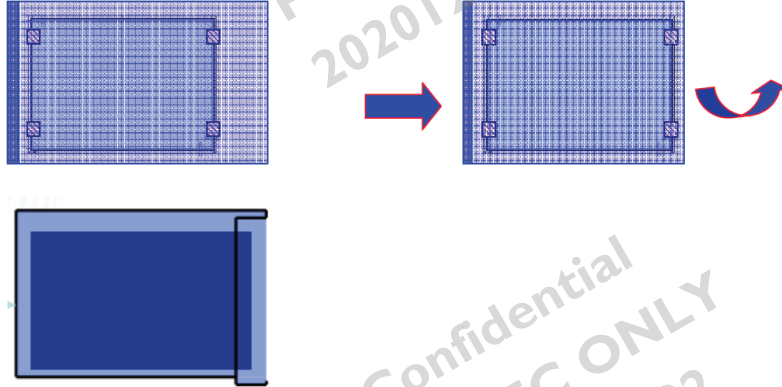
10.2 Carton Package



靜電袋包裝方式 Module insert into anti-static bag

手动包装:

1. 取靜電袋(79.21G01.001);
2. 把 module 短边先插入靜電袋开口;
3. 开口处多余的靜電袋折向模組背面
4. 貼封口膠帶



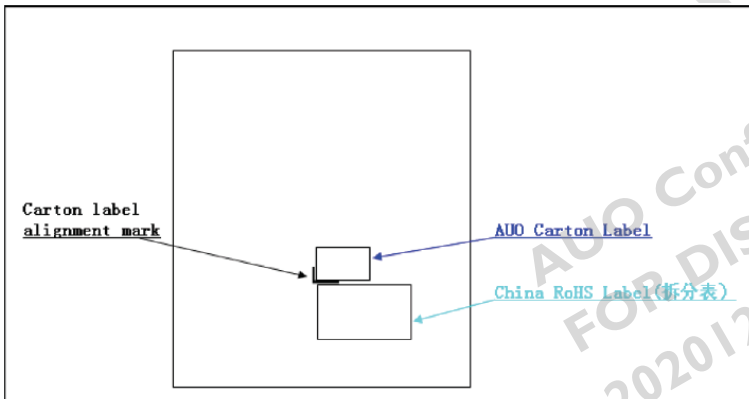
Max capacity : 7 pcs per carton

Max weight: 30.9 kg per carton

Outside dimension of carton: 602mm*372mm*367mm

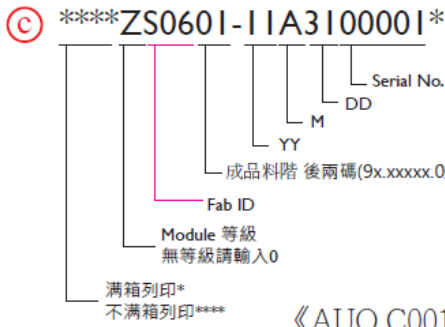
Pallet size : 1280mm*1150mm*132mm

10.3 Carton Label



※貼附於紙箱右面L角標註位置

| | | | |
|---------------|---------------------|------|----|
| AU Optronics | QTY: | RoHS | Pb |
| MODEL NO: (a) | | | |
| PART NO: (b) | | | |
| CUSTOMER NO: | | | |
| CARTON NO: | | | |
| | *ZS0601-10A3100001* | | |
| Made in China | | | |



《AUO C001 Barcode Carton》

| Part No. | Model Name |
|--------------|-------------|
| 97.21G01.300 | G215HVN01.3 |

11. Safety

11.1 Sharp Edge Requirements

There will be no sharp edges or comers on the display assembly that could cause injury.

11.2 Materials

11.2.1 Toxicity

There will be no carcinogenic materials used anywhere in the display module. If toxic materials are used, they will be reviewed and approved by the responsible AUO toxicologist.

11.2.2 Flammability

All components including electrical components that do not meet the flammability grade UL94-V1 in the module will complete the flammability rating exception approval process.

The printed circuit board will be made from material rated 94-V1 or better. The actual UL flammability rating will be printed on the printed circuit board.

11.3 Capacitors

If any polarized capacitors are used in the display assembly, provisions will be made to keep them from being inserted backwards.

11.4 National Test Lab Requirement

The display module will satisfy all requirements for compliance to:

UL 1950, First Edition

U.S.A. Information Technology Equipment

Our company network supports you worldwide with offices in Germany, Austria, Switzerland, the UK and the USA. For more information please contact:

Headquarters

Germany



FORTEC Elektronik AG

Augsburger Str. 2b
82110 Germering

Phone: +49 89 894450-0
E-Mail: info@fortecag.de
Internet: www.fortecag.de

Fortec Group Members

Austria



Distec GmbH Office Vienna

Nuschinggasse 12
1230 Wien

Phone: +43 1 8673492-0
E-Mail: info@distec.de
Internet: www.distec.de

Germany



Distec GmbH

Augsburger Str. 2b
82110 Germering

Phone: +49 89 894363-0
E-Mail: info@distec.de
Internet: www.distec.de

Switzerland



ALTRAC AG

Bahnhofstraße 3
5436 Würenlos

Phone: +41 44 7446111
E-Mail: info@altrac.ch
Internet: www.altrac.ch

United Kingdom



Display Technology Ltd.

Osprey House, 1 Osprey Court
Hichingbrooke Business Park
Huntingdon, Cambridgeshire, PE29 6FN

Phone: +44 1480 411600
E-Mail: info@displaytechnology.co.uk
Internet: www.displaytechnology.co.uk

USA



Apollo Display Technologies, Corp.

87 Raynor Avenue,
Unit 1 Ronkonkoma,
NY 11779

Phone: +1 631 5804360
E-Mail: info@apolloDisplays.com
Internet: www.apolloDisplays.com