

---

# Datasheet

## **iBASE**

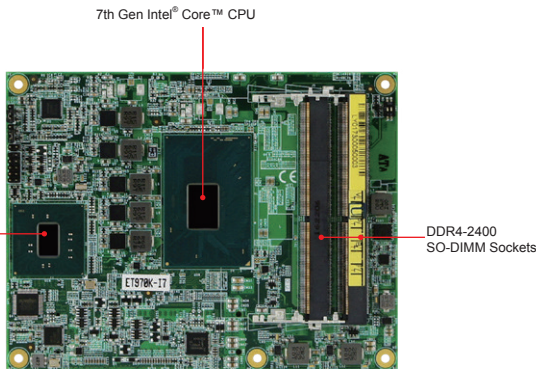
ET970

**COM Express™ Type 6 Computer-on-Module**

**with Intel® Core i7/i5/i3 Processor**

The information contained in this document has been carefully researched and is, to the best of our knowledge, accurate. However, we assume no liability for any product failures or damages, immediate or consequential, resulting from the use of the information provided herein. Our products are not intended for use in systems in which failures of product could result in personal injury. All trademarks mentioned herein are property of their respective owners. All specifications are subject to change without notice.

---



## Features

- Onboard 7th Gen Intel® Xeon® E3/ Core™ i7/i5/i3 processors
- 2x DDR4-2400 SO-DIMM, Max. 32GB
- 1x Intel® PCI-E GbE LAN
- Watchdog timer, Digital I/O
- 8x USB 2.0, 4x USB 3.0, 2x COM, 4x SATA III
- Support 3x independent displays
- Supports TPM (2.0)
- 8x PCI-E(x1), 1x PCI-E(x16)

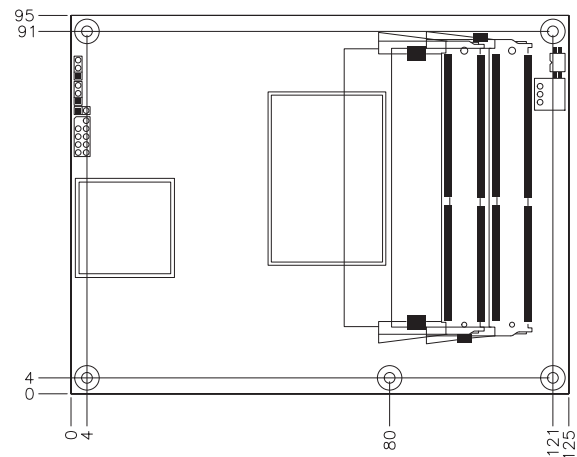
## Specifications

CPU Type	BGA1440 for 7th Gen Intel® Core™ H-series processors
System Memory	2x DDR4-2400 SO-DIMM, Max 32GB
System Chipset	Intel® QM175 & CM238 & HM175 PCH
BIOS	AMI
Watchdog Timer	256 levels
SSD	N/A
H/W Monitor	Yes
Expansion Slot	8x PCI-E (x1), 1x PCI-E(x16)
VGA Controller	7th Gen Intel® Core™ processor integrated graphics, supports DVI, HDMI, DisplayPort, LVDS
VGA Memory	Shared memory
Display Interface	24-bit dual channels LVDS on carrier board
LAN Controller	Intel® I219LM LAN PHY
LAN Connector	1x RJ-45 on carrier board (IP413)
I/O Chipset	Nuvoton NCT5523D on board (supports Tx/Rx only)
USB	4x USB 3.0 via carrier board 8x USB 2.0 via carrier board
Serial ATA	4x SATA III via carrier board
Audio	Intel® QM175 PCH built-in HD audio w/ Realtek ALC662 codec on carrier board (IP413)
Others	Digital I/O, TPM (2.0)
Dimensions	95mm x 125mm (3.74" x 4.92")
Max. Power Requirement	Intel® i7-7820EQ, 3.0GHz w/16GB DDR4-2400 +12V: 4.48A; +5V: 0.65A +3.3V: 0.27A, +5VBS: 0.13A
Operating Temperature	0°C~60°C (32°F~140°F) -40°C~75°C (-40°F~167°F)(ET970K-I3)
Storage Temperature	-20°C~80°C (-4°F~176°F)
Relative Humidity	10%~90% (non-condensing)

## Ordering Information

ET970K-X3G	COM Express (Type 6) CPU Module w/ Intel® Xeon® E3-1505M V6 (3.0GHz), CM238 PCH, DDR4 dual channel memory
ET970K-i7	COM Express (Type 6) CPU Module w/ Intel® Core™ i7-7820EQ (3.0GHz~3.7GHz), QM175 PCH, DDR4 dual channel memory
ET970K-i5	COM Express (Type 6) CPU Module w/ Intel® Core™ i5-7440EQ (2.9GHz~3.6GHz), QM175 PCH, DDR4 dual channel memory
ET970K-i3	COM Express (Type 6) CPU Module w/ Intel® Core™ i3-71001E (2.9GHz), HM175 PCH, DDR4 dual channel memory
ET970S-i7	COM Express (Type 6) CPU Module w/ Intel® Core™ i7-6820EQ (2.8GHz), QM170 PCH, DDR4 dual channel memory
HSET970-B	Heatsink with Fan for ET970

## Dimensions and Drawing



Our company network supports you worldwide with offices in Germany, Austria, Switzerland, Great Britain and the USA. For more information please contact:

## Headquarters

### Germany



#### FORTEC Elektronik AG

Lechwiesenstr. 9  
86899 Landsberg am Lech

Phone: +49 8191 91172-0  
E-Mail: [sales@fortecag.de](mailto:sales@fortecag.de)  
Internet: [www.fortecag.de](http://www.fortecag.de)

## Fortec Group Members

### Austria



#### FORTEC Elektronik AG

##### Office Vienna

Nuschinggasse 12  
1230 Wien

Phone: +43 1 8673492-0  
E-Mail: [office@fortec.at](mailto:office@fortec.at)  
Internet: [www.fortec.at](http://www.fortec.at)

### Germany



#### Distec GmbH

Augsburger Str. 2b  
82110 Germering

Phone: +49 89 894363-0  
E-Mail: [info@distec.de](mailto:info@distec.de)  
Internet: [www.distec.de](http://www.distec.de)

### Switzerland



#### ALTRAC AG

Bahnhofstraße 3  
5436 Würenlos

Phone: +41 44 7446111  
E-Mail: [info@altrac.ch](mailto:info@altrac.ch)  
Internet: [www.altrac.ch](http://www.altrac.ch)

### United Kingdom



#### Display Technology Ltd.

5 The Oaks Business Village  
Revenge Road, Lordswood  
Chatham, Kent, ME5 8LF

Phone: +44 1634 672755  
E-Mail: [info@displaytechnology.co.uk](mailto:info@displaytechnology.co.uk)  
Internet: [www.displaytechnology.co.uk](http://www.displaytechnology.co.uk)

### USA



#### Apollo Display Technologies, Corp.

87 Raynor Avenue,  
Unit 1 Ronkonkoma,  
NY 11779

Phone: +1 631 5804360  
E-Mail: [info@apolloDisplays.com](mailto:info@apolloDisplays.com)  
Internet: [www.apolloDisplays.com](http://www.apolloDisplays.com)