



## **DLF2706-A / DLH2706-A V1** **27" TFT LCD, LED Backlight 1200nits, FHD(1920x1080)**

The **DLF/DLH2706-A** is a 27 inch industrial grade sunlight readable LCD, with high brightness 1200 nits and high color saturation, it produce sharp images, crisp text and lifelike colors. The Durapixel LED backlight technology ensures high reliability and low power consumption, suitable for outdoor application, kiosk, factory automation, military, transportation and gaming application.

### **Key Features**

- High Brightness 1200 nits
- Sunlight Readable
- LED Backlight
- Low Power Consumption
- Slim Bezel
- BL MTBF: 100,000 hours



### Specifications

<b>Model Name</b>	<b>DLF2706-A / DLH2706-A V1</b>
<b>Description</b>	27" TFT LCD, LED Backlight 1200 nits, FHD (1920x1080)
<b>Screen Size</b>	27"
<b>Display Area (mm)</b>	597.6 (H) x 336.15(V)
<b>Brightness</b>	1200 cd/m <sup>2</sup>
<b>Resolution</b>	1920x1080
<b>Aspect Ratio</b>	16 : 9
<b>Contrast Ratio</b>	3600 : 1
<b>Pixel Pitch (mm)</b>	0.311(H) x 0.311(V)
<b>Pixel Per Inch (PPI)</b>	81
<b>Viewing Angle</b>	178°(H),178°(V)
<b>Color Saturation (NTSC)</b>	81%
<b>Display Colors</b>	16.7M
<b>Response Time (Typical)</b>	12ms
<b>Panel Interface</b>	LVDS
<b>AD Board Input Interface</b>	VGA, DVI-D, DP
<b>AD Board Input Power</b>	DC12V
<b>Power Consumption</b>	57W, (62W with AD Board)
<b>OSD Key</b>	4 Keys (Power Switch, Menu, +, -)
<b>OSD Control</b>	Brightness, Color, Contrast, Auto Turing, H/V Position...etc
<b>Dimensions (mm)</b>	622 x 360.5 x 13.7
<b>Bezel Size(U/B/L/R)</b>	10/10/10/10 mm
<b>Weight (Net)</b>	2.8kg
<b>Operating Temperature</b>	0 °C ~ 50 °C
<b>Storage Temperature</b>	-20 °C ~ 60 °C

**DLF**= Panel+ LED Driving Board

**DLH**= Panel+ LED Driving Board + AD Control Board

*Specifications are subject to change without notice.*

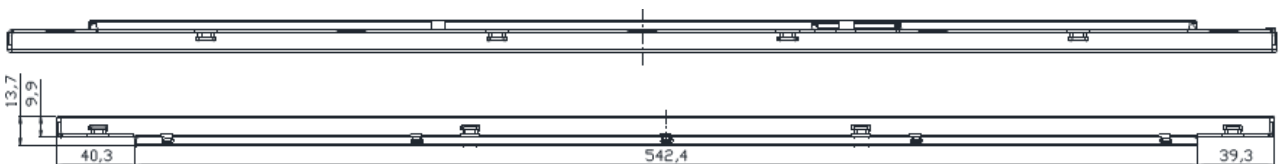
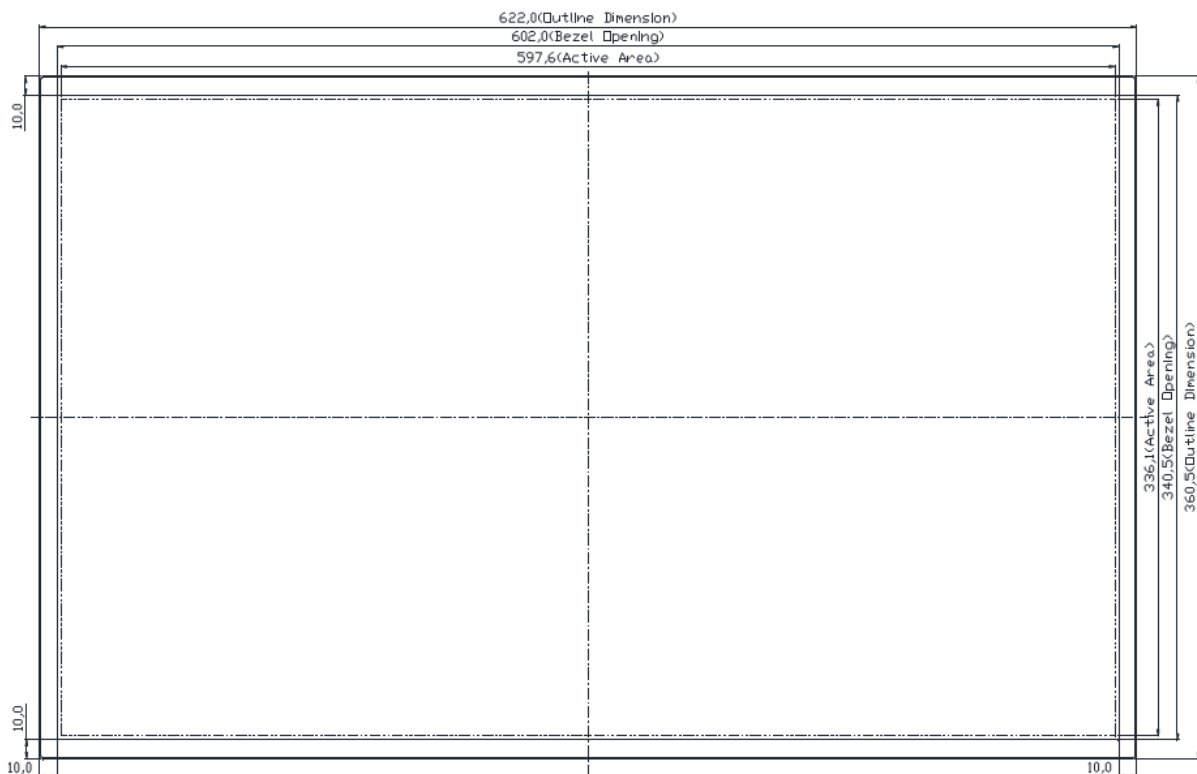
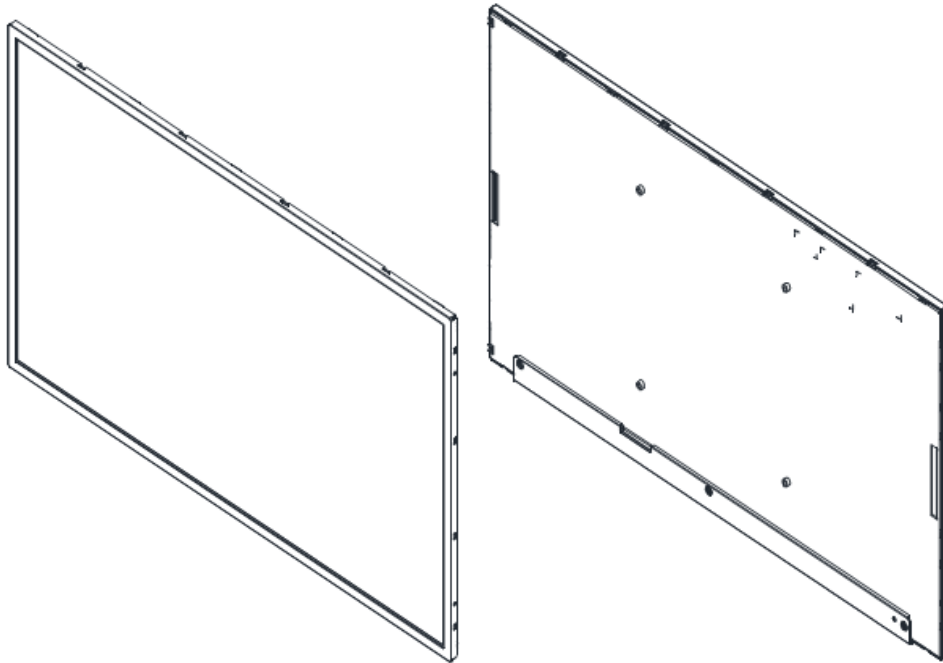
*All brands or product names are trademarks or registered trademarks of their respective companies.*

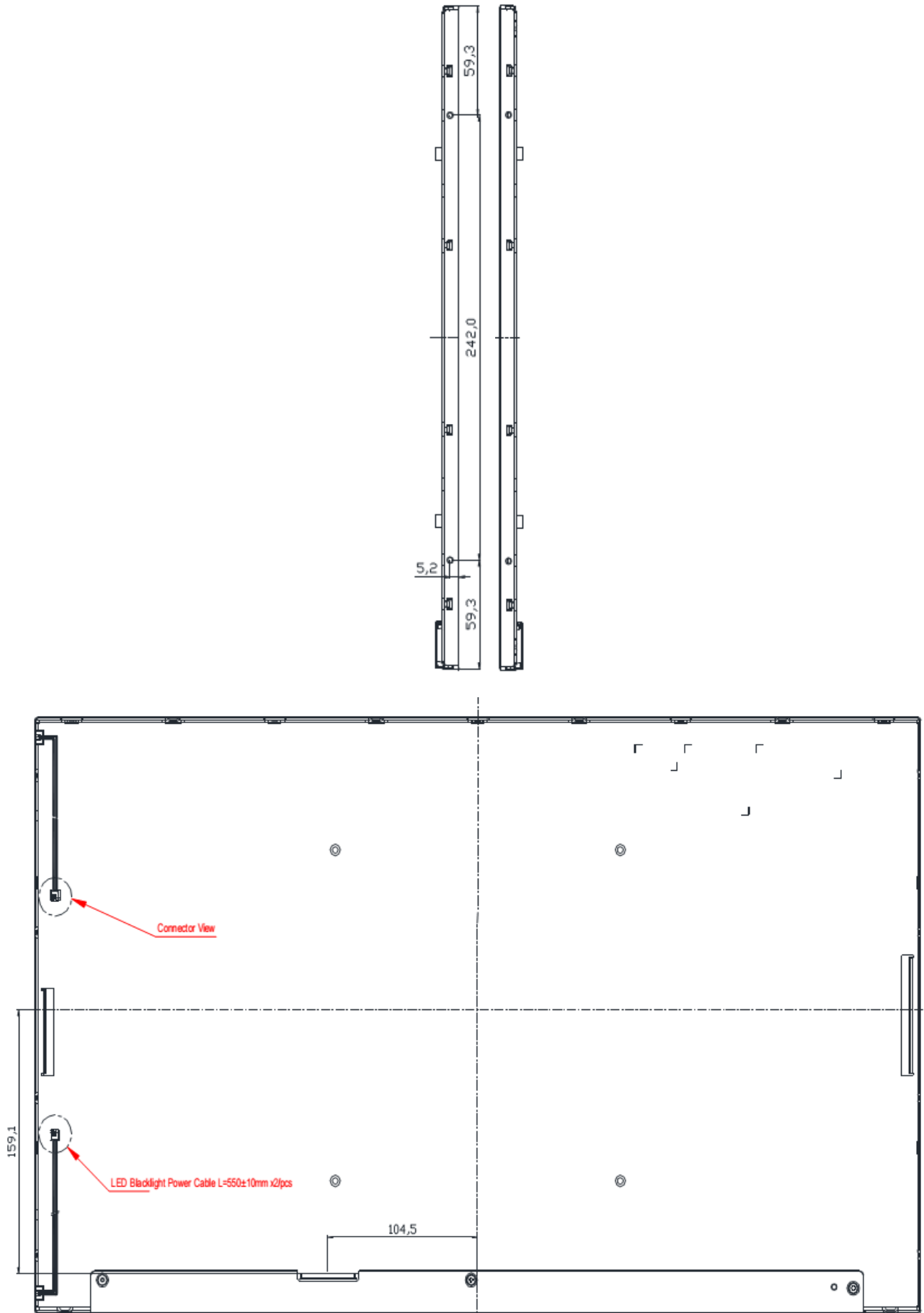


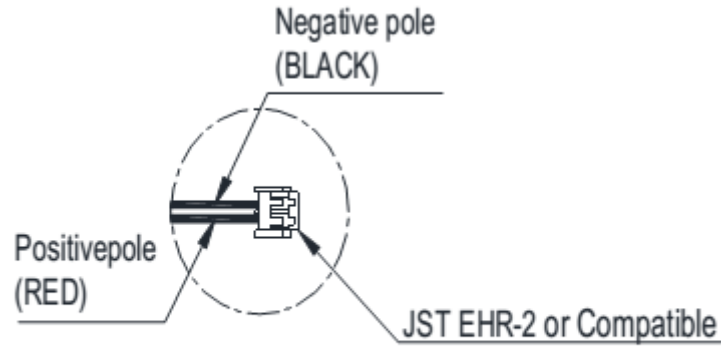
## Mechanical Drawing

### Outline Dimensions

Unit: mm







### Connector View

Note :

1. THE DIMENSION EXCLUDES DEFORMATION.
2. MODULE THICKNESS TO BE MAX.13.5mm(With Dirver Cover)
3. I/F CONNECTOR TO BE JAE FI-X30HL OR COMPATIBLE
4. M3 USER HOLE SCREW TORQUE 5.0 kgf- cm MAX.

### Ordering Information

Part Number	Description
<b>DLF2706-ANN-A01</b>	27",1200nits,FHD,LID27A,5in1,V1
<b>DLH2706-ANN-I01</b>	27",1200nits,FHD,LID27A,AD6038GDP,DC12V,5in1,V1

### Optional Accessories

Part Number	Description
<b>840612111201</b>	ADAPTER.12V.10A.120W.G99-CAD120F-N002.POWER DIN,P
<b>810618301010</b>	CABLE.POWER.AC.1830mm USA type
<b>810618301090</b>	CABLE,POWER,AC,1830mm Europe type
<b>810618301050</b>	CABLE.POWER.AC.1830mm UK type
<b>810618301170</b>	CABLE.POWER,AC,1830mm Australia type
<b>810618301031</b>	CABLE.POWER.AC.1830mm Japan type

### By Customer Request

<b>Touch</b>	PCT (Multi-Touch)
<b>Glass</b>	Tempered glass, AR coating.....