

# Datasheet

## COMe-mBT10

### Kontron

Our company network supports you worldwide with offices in Germany, Austria, Switzerland, Great Britain and the USA. For more information please contact:

**FORTEC Elektronik AG**

Hauptniederlassung  
Lechwiesenstr. 9  
86899 Landsberg am Lech

Telefon: +49 (0) 8191 91172-0  
Telefax: +49 (0) 8191 21770  
E-Mail: [sales@fortecag.de](mailto:sales@fortecag.de)  
Internet: [www.fortecag.de](http://www.fortecag.de)

**FORTEC Elektronik AG**

Büro West  
Hohenstaufenring 55  
50674 Köln

Telefon: +49 (0) 221 272 273-0  
Telefax: +49 (0) 221 272 273-10  
E-Mail: [west@fortecag.de](mailto:west@fortecag.de)  
Internet: [www.fortecag.de](http://www.fortecag.de)

**FORTEC Elektronik AG**

Büro Wien  
Nuschinggasse 12  
A-1230 Wien

Telefon: +43 1 8673492-0  
Telefax: +43 1 8673492-26  
E-Mail: [office@fortec.at](mailto:office@fortec.at)  
Internet: [www.fortec.at](http://www.fortec.at)

**ALTRAC AG**

(Tochter der FORTEC):  
Bahnhofstraße 3  
CH-5436 Würenlos

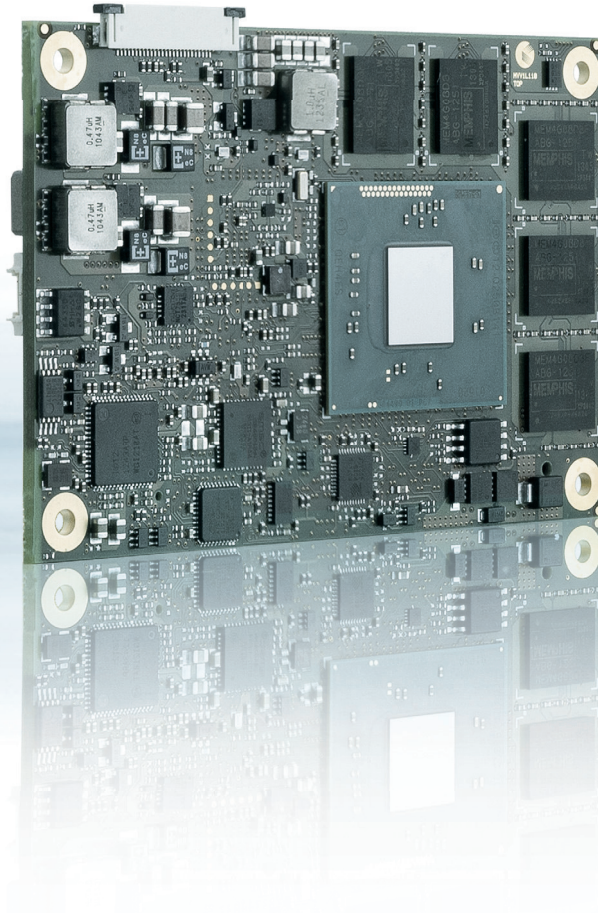
Telefon: +41 (0) 44 7446111  
Telefax: +41 (0) 44 7446161  
E-Mail: [info@altrac.ch](mailto:info@altrac.ch)  
Internet: [www.altrac.ch](http://www.altrac.ch)

The information contained in this document has been carefully researched and is, to the best of our knowledge, accurate. However, we assume no liability for any product failures or damages, immediate or consequential, resulting from the use of the information provided herein. Our products are not intended for use in systems in which failures of product could result in personal injury. All trademarks mentioned herein are property of their respective owners. All specifications are subject to change without notice.

---

# COMe-mBT10

---



## COM EXPRESS® MINI TYPE 10 WITH Intel® Atom™ E3800 & Celeron® SERIES

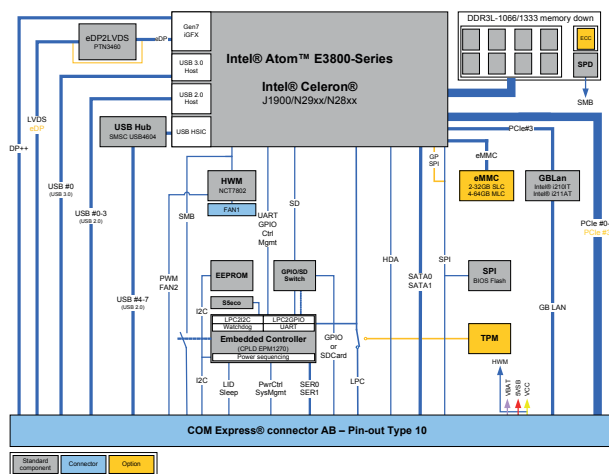
- ▶ Intel® Atom™ E3800 & Celeron® series
- ▶ up to 4 GByte DDR3L memory down (ECC optional)
- ▶ 1x USB 3.0, up to 7x USB 2.0, 1x USB client (optional), eMMC Flash, 2x SATA, SD-Card
- ▶ industrial grade temperature

POSSIBILITIES START HERE



## TECHNICAL INFORMATION

COMPLIANCE	COM Express® mini, Pin-out Type 10
DIMENSIONS (H X W X D)	84 x 55 mm
CPU	Intel® Atom™ E3845, Intel® Atom™ E3827, Intel® Atom™ E3826, Intel® Atom™ E3825, Intel® Atom™ E3815, Intel® Celeron® J1900, Intel® Celeron® N2920, Intel® Celeron® N2930, Intel® Celeron® N2807
CHIPSET	-
MAIN MEMORY	Up to 4 GByte DDR3L-1333 memory down (ECC optional)
GRAPHICS CONTROLLER	Intel® HD Graphics (Gen7)
ETHERNET CONTROLLER	Intel® I210IT / I211AT
ETHERNET	10/100/1000 Mbit Ethernet
HARD DISK	2x SATA 3Gb/s
FLASH ONBOARD	2 - 64 GByte eMMC
PCI EXPRESS® / PCI SUPPORT	3x PCIe x1
PANEL SIGNAL	DDI: DP++, LVDS: Single Channel 18/24bit or eDP
USB	1x USB 3.0 (incl. USB 2.0), 3x USB 2.0 from CPU, 1x USB 3.0 (incl. USB 2.0), 3x (2x) USB 2.0 from CPU, and 4x USB 2.0 via Hub (34006 only)
SERIAL	2x serial interface (RX/TX only)
AUDIO	Intel® High Definition Audio
COMMON FEATURES	SPI, LPC, SMB, Fast I <sup>2</sup> C, Staged Watchdog, RTC, MARS
BIOS	Phoenix Secure Core UEFI
HUMIDITY	93 % relative Humidity at 40 °C, non-condensing (according to IEC 60068-2-78)
OPTIONS	1x PCIe x1 additional w/o onboard LAN, Trusted Platform Module TPM 1.2, ECC memory, eMMC Flash onboard (2-32 GByte SLC, 4-64 GByte MLC), eDP instead of LVDS, General Purpose SPI instead of Boot SPI, FSP + Coreboot, AES-NI
POWER MANAGEMENT	ACPI, S5 Eco
POWER SUPPLY	4.75 V – 20 V Wide Range, Single Supply Power
SPECIAL FEATURES	POSCAP capacitors, GPIO/SDIO Switch, General Purpose SPI optional
OPERATING SYSTEM	Windows® 8, Windows® 7, WE85, WE57, WEC7, Linux, VxWorks
TEMPERATURE	Commercial temperature: 0 °C to +60 °C operating, -30 °C to +85 °C non-operating Industrial temperature: -40 °C to +85 °C operating, -40 °C to +85 °C non-operating



## CORPORATE OFFICES

### EUROPE, MIDDLE EAST & AFRICA

Lise-Meitner-Str. 3-5  
86156 Augsburg  
Germany  
Tel.: +49 821 4086 0  
Fax: +49 821 4086 111  
info@kontron.com

### NORTH AMERICA

14118 Stowe Drive  
Poway, CA 92064-7147  
USA  
Tel.: +1 888 294 4558  
Fax: +1 858 677 0898  
info@us.kontron.com

### ASIA PACIFIC

1-2F, 10 Building, No. 8 Liangshuihe 2nd Street,  
Economical & Technological Development Zone,  
Beijing, 100176, P.R.China  
Tel.: +86 10 63751188  
Fax: +86 10 83682438  
info@kontron.cn

# FORTEC

ELEKTRONIK AG

Our company network supports you worldwide with offices in Germany, Austria, Switzerland, Great Britain and the USA. For more information please contact:

**FORTEC Elektronik AG**

Hauptniederlassung  
Lechwiesenstr. 9  
86899 Landsberg am Lech

Telefon: +49 (0) 8191 91172-0  
Telefax: +49 (0) 8191 21770  
E-Mail: [sales@fortecag.de](mailto:sales@fortecag.de)  
Internet: [www.fortecag.de](http://www.fortecag.de)

**FORTEC Elektronik AG**

Büro West  
Hohenstaufenring 55  
50674 Köln

Telefon: +49 (0) 221 272 273-0  
Telefax: +49 (0) 221 272 273-10  
E-Mail: [west@fortecag.de](mailto:west@fortecag.de)  
Internet: [www.fortecag.de](http://www.fortecag.de)

**FORTEC Elektronik AG**

Büro Wien  
Nuschinggasse 12  
A-1230 Wien

Telefon: +43 1 8673492-0  
Telefax: +43 1 8673492-26  
E-Mail: [office@fortec.at](mailto:office@fortec.at)  
Internet: [www.fortec.at](http://www.fortec.at)

**ALTRAC AG**

(Tochter der Fortec AG):  
Bahnhofstraße 3  
CH-5436 Würenlos

Telefon: +41 (0) 44 7446111  
Telefax: +41 (0) 44 7446161  
E-Mail: [info@altrac.ch](mailto:info@altrac.ch)  
Internet: [www.altrac.ch](http://www.altrac.ch)

Members of the FORTEC Group:

