



OUR GLOBAL  
COMPETENCE  
CENTRES

 APOLLO DISPLAY  
TECHNOLOGIES



 DISTEC



 DISPLAY  
TECHNOLOGY



# Datasheet

## InnoLux

**V236BJ1-P03**

CH-01-055

The information contained in this document has been carefully researched and is, to the best of our knowledge, accurate. However, we assume no liability for any product failures or damages, immediate or consequential, resulting from the use of the information provided herein. Our products are not intended for use in systems in which failures of product could result in personal injury. All trademarks mentioned herein are property of their respective owners. All specifications are subject to change without notice.

---

- Tentative Specification
- Preliminary Specification
- Approval Specification

MODEL NO.: V236BJ1

SUFFIX: P03

Revision : <u>CA</u>	
Customer :	
APPROVED BY	SIGNATURE
Name / Title _____	
Note _____	
Please return 1 copy for your confirmation with your signature and comments.	

Approved By	Checked By	Prepared By
Chao-Chun Chung	YP Lee	Wesun Yen

**CONTENTS**

1. GENERAL DESCRIPTION .....	5
1.1 OVERVIEW .....	5
1.2 FEATURES .....	5
1.3 MECHANICAL SPECIFICATIONS .....	6
2. ABSOLUTE MAXIMUM RATINGS .....	7
2.1 ABSOLUTE RATINGS OF ENVIRONMENT .....	7
2.2 ABSOLUTE RATINGS OF ENVIRONMENT (OPEN CELL) .....	8
2.3 ELECTRICAL ABSOLUTE RATINGS .....	8
2.3.1 TFT LCD MODULE .....	8
3. ELECTRICAL CHARACTERISTICS .....	9
3.1 TFT LCD OPEN CELL .....	9
4. INPUT TERMINAL PIN ASSIGNMENT .....	11
4.1 TFT LCD OPEN CELL .....	11
5. INPUT TERMINAL PIN ASSIGNMENT .....	12
5.1 TFT LCD OPEN CELL INPUT .....	12
5.2 COLOR DATA INPUT ASSIGNMENT .....	15
5.4 FLICKER (Vcom) ADJUSTMENT .....	16
6. INTERFACE TIMING .....	17
6.1 INPUT SIGNAL TIMING SPECIFICATIONS .....	17
6.2 POWER ON/OFF SEQUENCE .....	19
7. OPTICAL CHARACTERISTICS .....	20
7.1 TEST CONDITIONS.....	20
7.2 OPTICAL SPECIFICATIONS .....	21
8. PRECAUTIONS.....	24
8.1 ASSEMBLY AND HANDLING PRECAUTIONS .....	24
8.2 SAFETY PRECAUTIONS .....	25
9. DEFINITION OF LABELS .....	26
9.1 OPEN CELL LABEL .....	26
9.2 CARTON LABEL .....	26

10. PACKAGING.....27

    10.1 PACKAGING SPECIFICATIONS ..... 27

    10.2 PACKING METHOD ..... 27

    10.3 UN - PACKAGING METHOD ..... 28

11. MECHANICAL CHARACTERISTIC.....29

**REVISION HISTORY**

Version	Date	Page(New)	Section	Description
2.0	2015.12.23	All	All	The Approval Specification was first issued

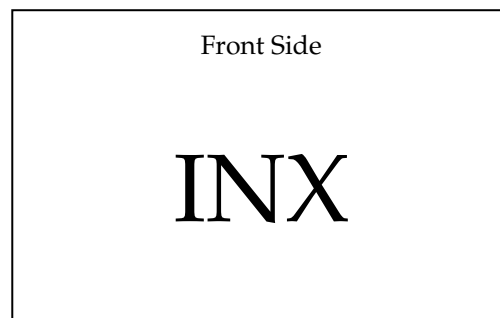
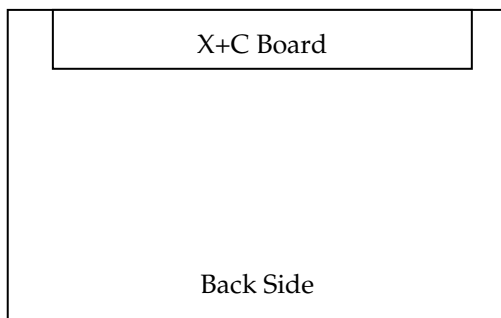
**1. GENERAL DESCRIPTION**

**1.1 OVERVIEW**

V236BJ1-P03 is a 23.6" TFT Liquid Crystal Display TV product with driver ICs and 1ch-LVDS interface. This product supports 1366\*768 HDTV format and can display 16.7M colors (8-bit / color)..

**1.2 FEATURES**

CHARACTERISTICS ITEMS	SPECIFICATIONS
Screen Diagonal [in]	23.6
Pixels [lines]	1366 × 768
Active Area [mm]	521.4705(H) × 293.184(V) (23.6" diagonal)
Sub-Pixel Pitch [mm]	0.12725(H) × 0.38175(V)
Pixel Arrangement	RGB Vertical Stripe
Weight [g]	490 Typ. (g)
Physical Size [mm]	535.06(W) × 306.34(H) × 1.315(D) Typ
Display Mode	Transmissive Mode / Normally Black
Contrast Ratio	Typ.3000:1 (Typical value measure by INX's Module)
Glass thickness (Array / CF) [mm]	0.5 / 0.5
Viewing Angle (CR>10) (VA Model)	Typ. +89/-89(H), +89/-89(V) (CR ≥ 10) (Typical value measured by INX's module)
Color Chromaticity	R = 0.661, 0.326 G = 0.282, 0.587 B = 0.136, 0.101 W= 0.318, 0.355
Cell Transparency [%]	5.8%
Polarizer Surface Treatment	Anti-Glare coating (Haze 1%)
Rotation Function	Unachievable

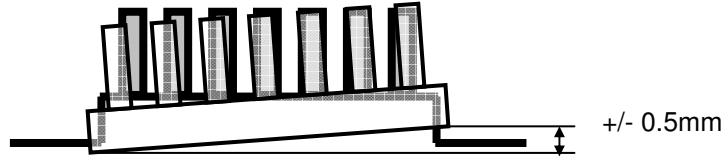


1.3 MECHANICAL SPECIFICATIONS

Item	Min.	Typ.	Max.	Unit	Note
Weight	-	490	510	g	-
I/F connector mounting position	The mounting inclination of the connector makes the screen center within $\pm 0.5\text{mm}$ as the horizontal.				(2)

Note (1) Please refer to the attached drawings for more information of front and back outline dimensions.

Note (2) Connector mounting position





**2. ABSOLUTE MAXIMUM RATINGS**

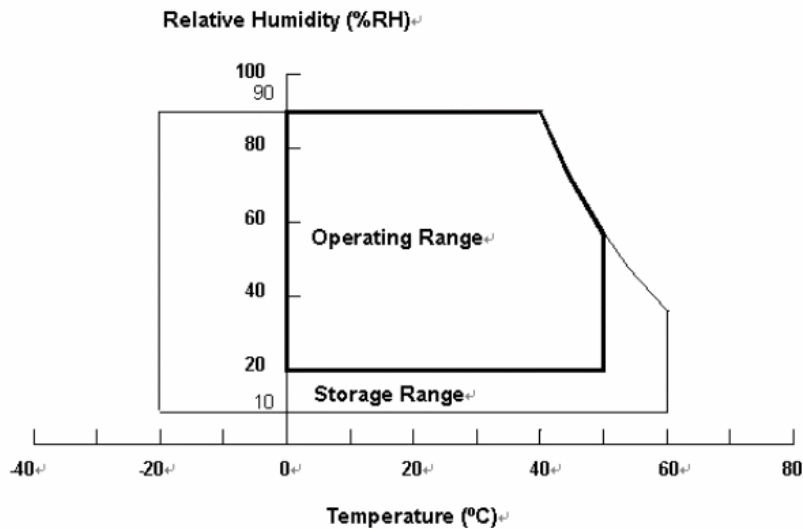
**2.1 ABSOLUTE RATINGS OF ENVIRONMENT**

Item	Symbol	Value		Unit	Note
		Min.	Max.		
Storage Temperature	TST	-20	+60	°C	(1) With INX Module
Operating Ambient Temperature	TOP	0	50	°C	(1), (2) With INX Module

Note (1) Temperature and relative humidity range is shown in the figure below.

- (a) 90 %RH Max. ( $T_a \leq 40$  °C).
- (b) Wet-bulb temperature should be 39 °C Max.
- (c) No condensation.

Note (2) Thermal management should be considered in final product design to prevent the surface temperature of display area from being over 65 °C. The range of operating temperature may degrade in case of improper thermal management in final product design.



**2.2 ABSOLUTE RATINGS OF ENVIRONMENT (OPEN CELL)**

Recommended Storage Condition: With shipping package.

Recommended Storage temperature range: 25±5 °C

Recommended Storage humidity range: 50±10%RH

Recommended Shelf life: a month

**2.3 ELECTRICAL ABSOLUTE RATINGS**

**2.3.1 TFT LCD MODULE**

Item	Symbol	Value		Unit	Note
		Min.	Max.		
Power Supply Voltage	VCC	-0.3	13.5	V	(1)
Logic Input Voltage	VIN	-0.3	3.6	V	

Note (1) Permanent damage to the device may occur if maximum values are exceeded. Function operation should be restricted to the conditions described under Normal Operating Conditions.

**3. ELECTRICAL CHARACTERISTICS**

**3.1 TFT LCD OPEN CELL**

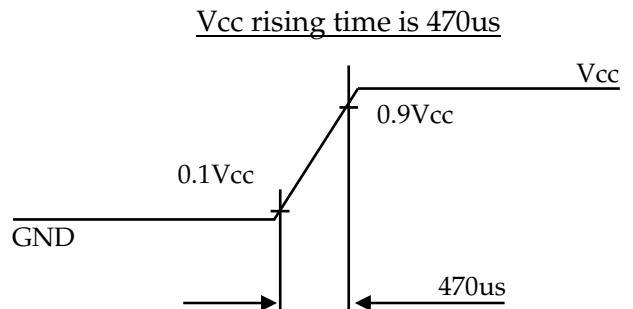
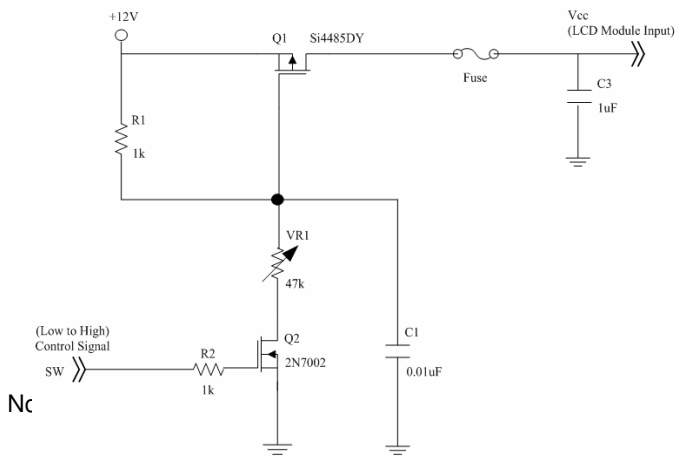
(Ta = 25 ± 2 °C)

Parameter	Symbol	Value			Unit	Note	
		Min.	Typ.	Max.			
Power Supply Voltage	V <sub>CC</sub>	10.8	12	13.2	V	(1)	
Rush Current	I <sub>RUSH</sub>	—	—	2.015	A	(2)	
Power consumption	White Pattern	P <sub>T</sub>	—	3.864	4.278	W	(3)
	Black Pattern	P <sub>T</sub>	—	2.346	2.622		
	Heavy Loading pattern Ex: Horizontal Stripe (by cell and platform)	P <sub>T</sub>	—	3.864	4.278		
Power Supply Current	White Pattern	P <sub>T</sub>	—	0.336	0.403	A	
	Black Pattern	P <sub>T</sub>	—	0.204	0.247		
	Heavy Loading pattern Ex: Horizontal Stripe (by cell and platform)	P <sub>T</sub>	—	0.336	0.403		
LVDS interface	Differential Input High Threshold Voltage	V <sub>LVTH</sub>	—	—	+100	mV	(4)
	Differential Input Low Threshold Voltage	V <sub>LVTL</sub>	-100	—	—	mV	
	Common Input Voltage	V <sub>CM</sub>	1.0	1.2	1.4	V	
	Differential input voltage	V <sub>ID</sub>	100	—	600	mV	
	Terminating Resistor	R <sub>T</sub>	—	100	—	ohm	
CMOS interface	Input High Threshold Voltage	V <sub>IH</sub>	2.7	—	3.3	V	
	Input Low Threshold Voltage	V <sub>IL</sub>	0	—	0.7	V	

Note (1) The module should be always operated within the above ranges.

The ripple voltage should be controlled under 10% of V<sub>CC</sub> (Typ.).

Note (2) Measurement condition:



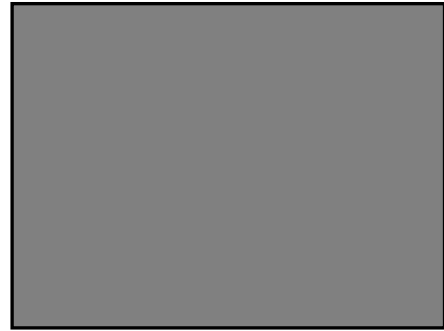
ions at V<sub>CC</sub> = 12 V, Ta = 25 ± 2 °C, f<sub>v</sub> = 60 Hz, whereas a power

a. White Pattern



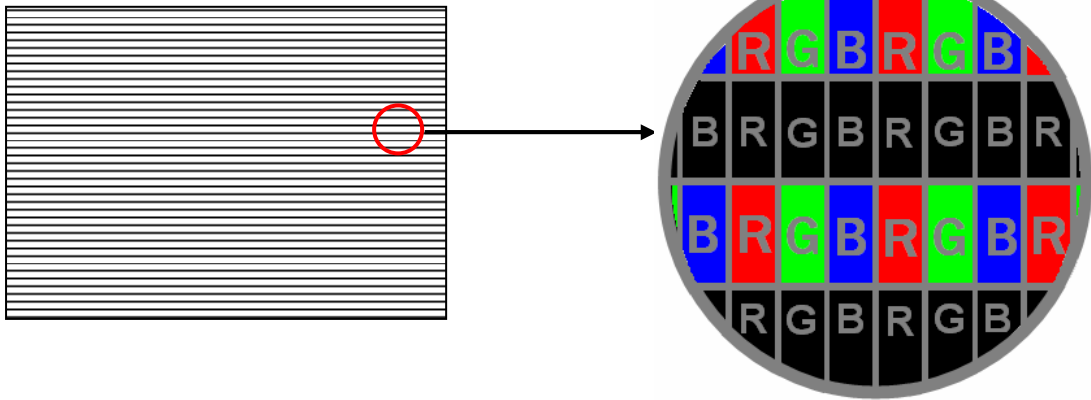
Active Area

b. Black Pattern

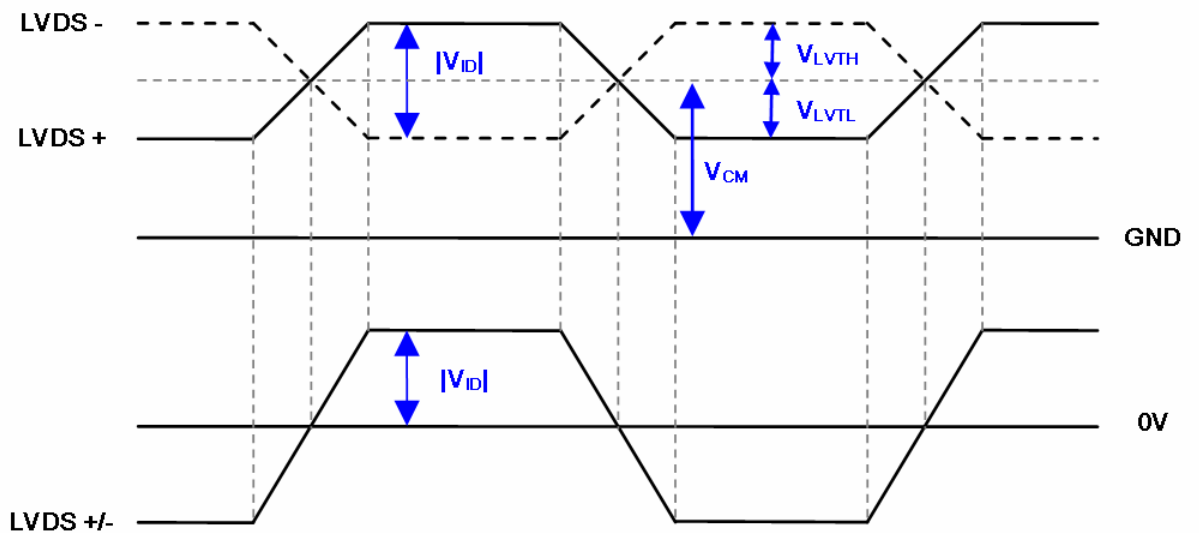


Active Area

c. Heavy Loading pattern Ex: Horizontal Stripe

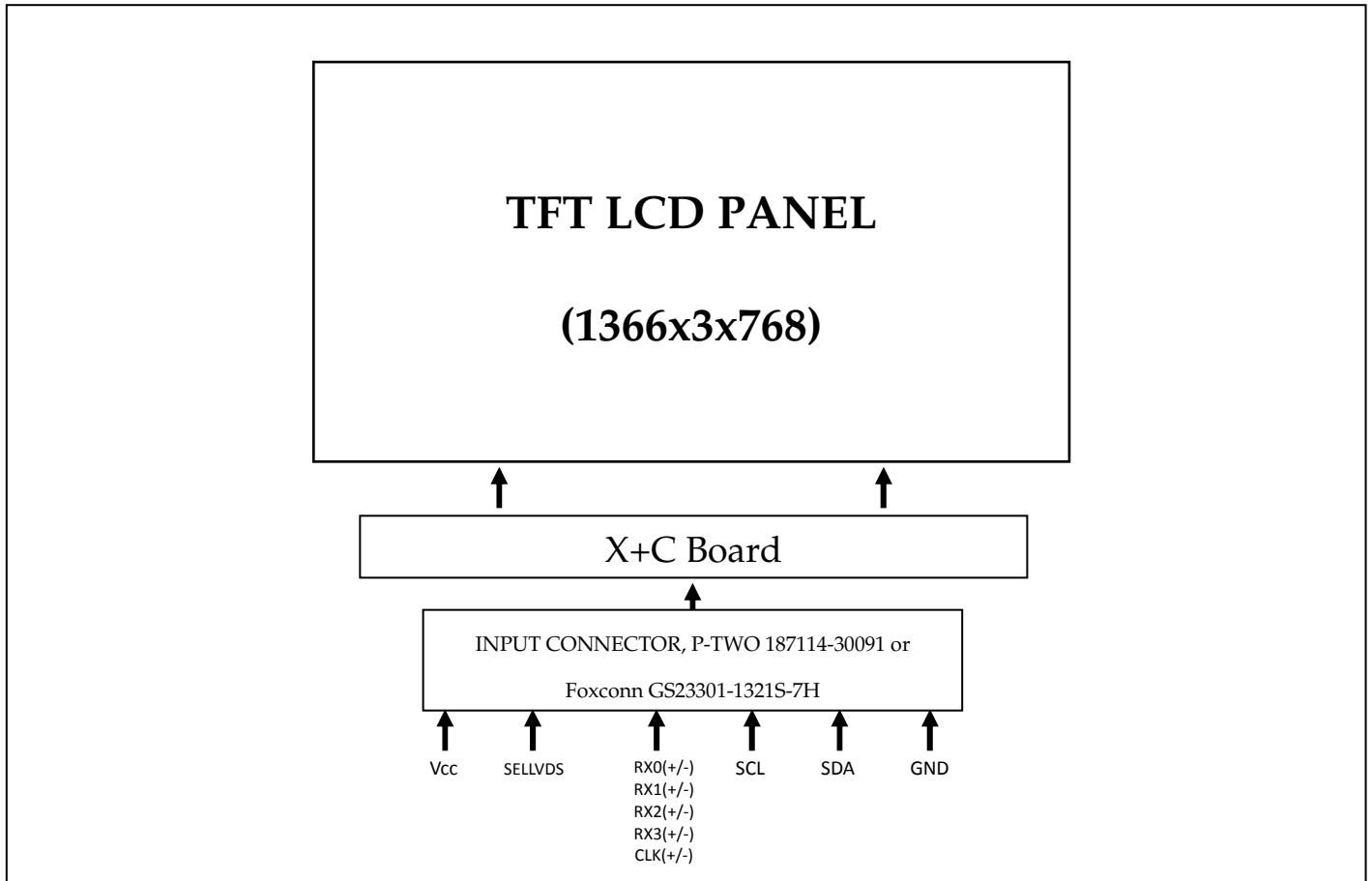


Note (4) The LVDS input characteristics is shown as below :



4. INPUT TERMINAL PIN ASSIGNMENT

4.1 TFT LCD OPEN CELL



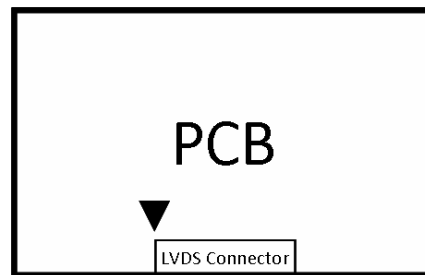
**5. INPUT TERMINAL PIN ASSIGNMENT**

**5.1 TFT LCD OPEN CELL INPUT**

CNF1 Connector Pin Assignment P-TWO=187114-30091 or FOXCONN=GS23302-1321S-7H

Pin	Name	Description	Pin
1	VCC	+12.0V power supply	1
2	VCC	+12.0V power supply	2
3	VCC	+12.0V power supply	3
4	VCC	+12.0V power supply	4
5	NC	No connection	5
6	GND	Ground	6
7	GND	Ground	7
8	NC	No connection	8
9	SELLVDS	Select LVDS Format	9
10	NC	NC	10
11	GND	Ground	11
12	RX0-	Negative LVDS differential data input. Channel 0	12
13	RX0+	Positive LVDS differential data input. Channel 0	13
14	GND	Ground	14
15	RX1-	Negative LVDS differential data input. Channel 1	15
16	RX1+	Positive LVDS differential data input. Channel 1	16
17	GND	Ground	17
18	RX2-	Negative LVDS differential data input. Channel 2	18
19	RX2+	Positive LVDS differential data input. Channel 2	19
20	GND	Ground	20
21	RXLCK-	Negative LVDS differential clock input.	21
22	RXCLK+	Positive LVDS differential clock input.	22
23	GND	Ground	23
24	RX3-	Negative LVDS differential data input. Channel 3	24
25	RX3+	Positive LVDS differential data input. Channel 3	25
26	GND	Ground	26
27	NC	No connection	27
28	SCL	I2C clock (For Vcom tuning)	28
29	SDA	I2C data (For Vcom tuning)	29
30	GND	Ground	30

Note (1) LVDS connector pin order defined as below



Note (2) Reserved for internal use. Please leave it open.

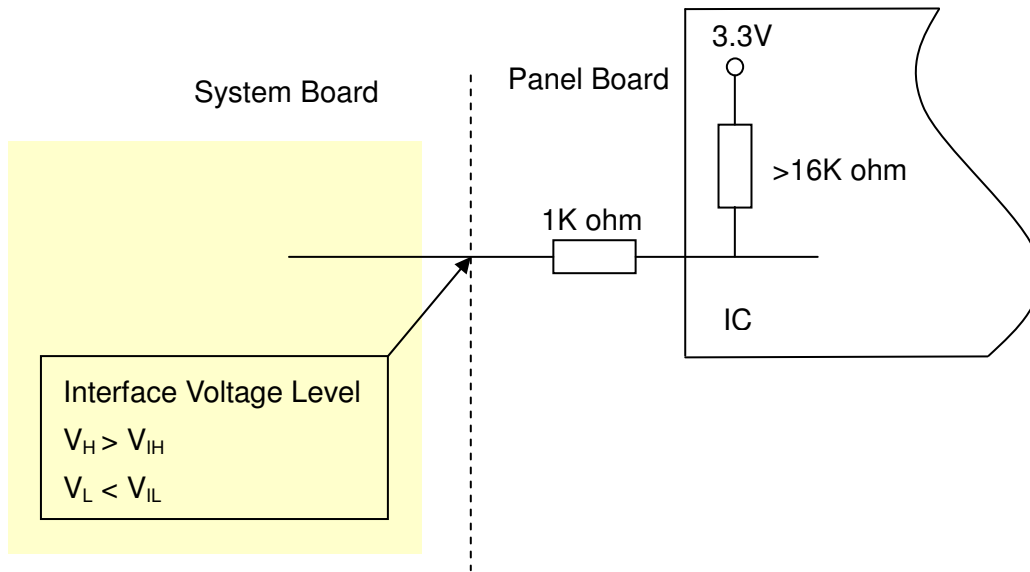
Pin 1                      Pin 30

Note (3) Connect to Open or +3.3V: JEIDA Format, connect to GND: VESA Format.

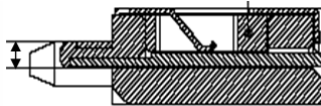
SELLVDS	Mode
H(default)	JEIDA
L	VESA

L : Connect to GND, H: Connect to +3.3V

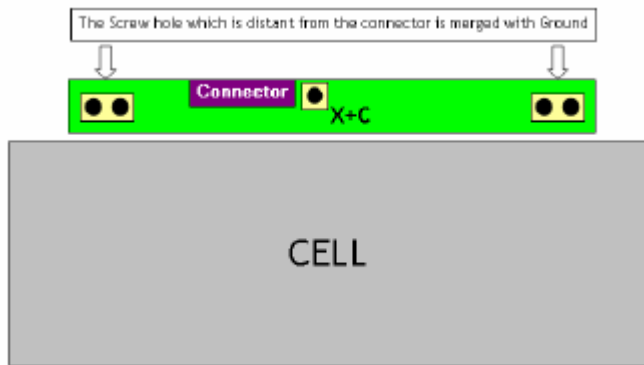
Note (4) Interface optional pin has internal scheme as following diagram. Customer should keep the interface voltage level requirement which including Panel board loading as below.



Note (5) LVDS connector mating dimension range request is 0.93mm~1.0mm as below.



Note (6) The screw hole which is distant from the connector is merged with Ground.

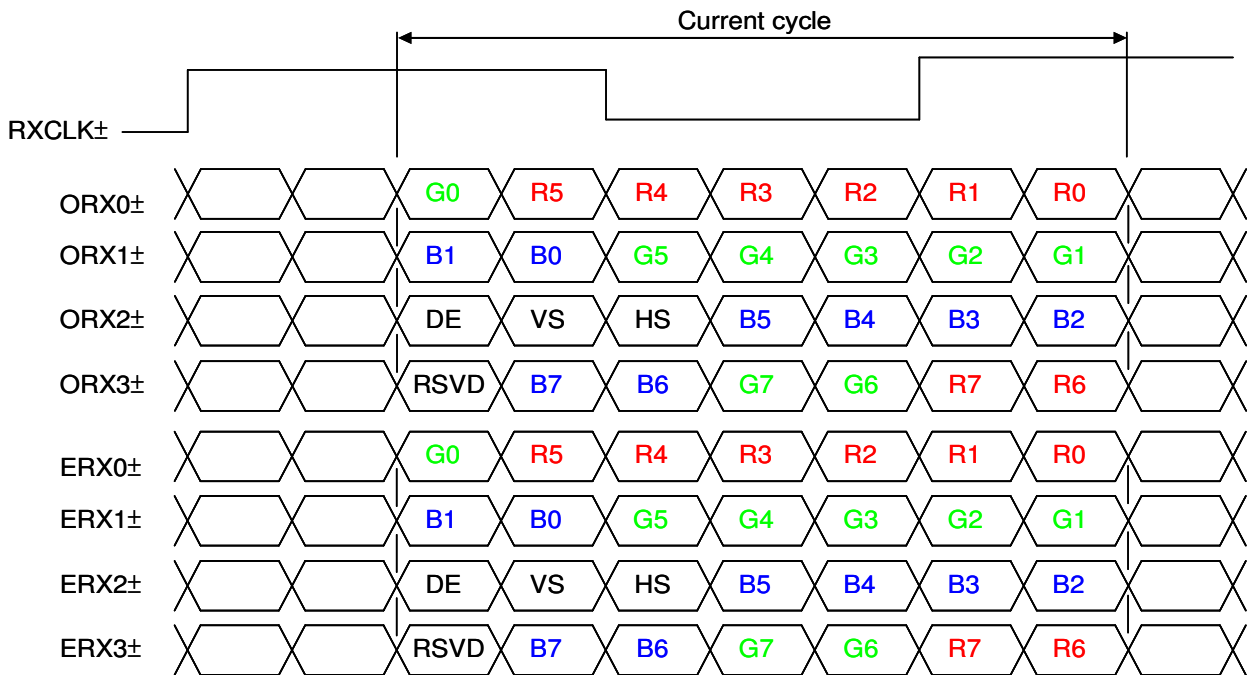


## 5.2 LVDS INTERFACE

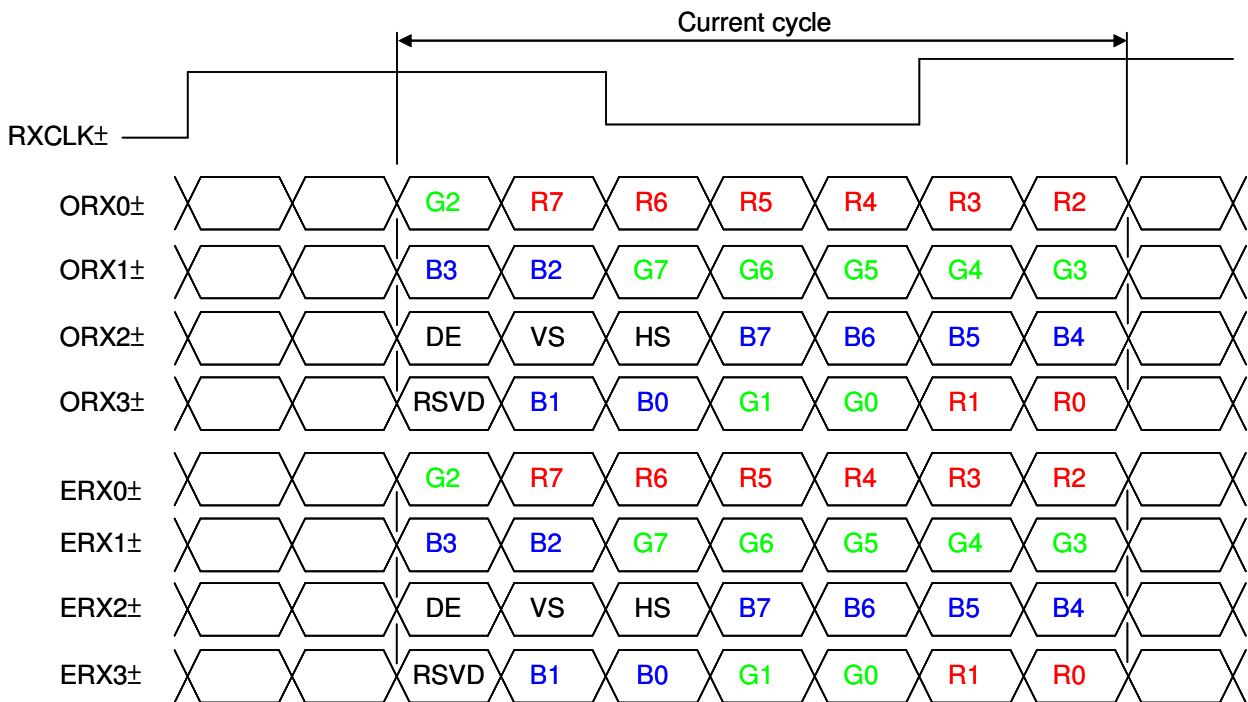
JEIDA Format: SELLVDS = H or Open

VESA Format: SELLVDS = L

VESA LVDS format



JEIDA LVDS format



R0~R7 : Pixel R Data (7; MSB, 0; LSB)

G0~G7 : Pixel G Data (7; MSB, 0; LSB)

B0~B7 : Pixel B Data (7; MSB, 0; LSB)

DE : Data enable signal

DCLK : Data clock signal

Notes: (1) RSVD (reserved) pins on the transmitter shall be "H" or "L".



## 5.2 COLOR DATA INPUT ASSIGNMENT

The brightness of each primary color (red, green and blue) is based on the 8-bit gray scale data input for the color. The higher the binary input, the brighter the color. The table below provides the assignment of the color versus data input.

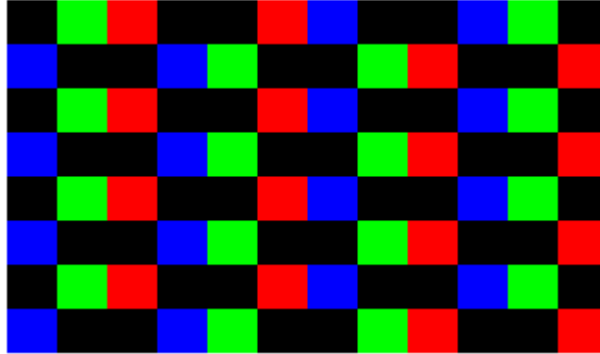
Color		Data Signal																						
		Red								Green								Blue						
		R7	R6	R5	R4	R3	R2	R1	R0	G7	G6	G5	G4	G3	G2	G1	G0	B7	B6	B5	B4	B3	B2	B1
Basic Colors	Black	0	0	0	0	0	0	0	0	0	0	0	0	0	0	0	0	0	0	0	0	0	0	0
	Red	1	1	1	1	1	1	1	1	0	0	0	0	0	0	0	0	0	0	0	0	0	0	0
	Green	0	0	0	0	0	0	0	0	1	1	1	1	1	1	1	1	0	0	0	0	0	0	0
	Blue	0	0	0	0	0	0	0	0	0	0	0	0	0	0	0	0	1	1	1	1	1	1	1
	Cyan	0	0	0	0	0	0	0	0	1	1	1	1	1	1	1	1	1	1	1	1	1	1	1
	Magenta	1	1	1	1	1	1	1	1	0	0	0	0	0	0	0	0	1	1	1	1	1	1	1
	Yellow	1	1	1	1	1	1	1	1	1	1	1	1	1	1	1	1	0	0	0	0	0	0	0
	White	1	1	1	1	1	1	1	1	1	1	1	1	1	1	1	1	1	1	1	1	1	1	1
Gray Scale Of Red	Red (0) / Dark	0	0	0	0	0	0	0	0	0	0	0	0	0	0	0	0	0	0	0	0	0	0	
	Red (1)	0	0	0	0	0	0	0	1	0	0	0	0	0	0	0	0	0	0	0	0	0	0	
	Red (2)	0	0	0	0	0	0	1	0	0	0	0	0	0	0	0	0	0	0	0	0	0	0	
	⋮	⋮	⋮	⋮	⋮	⋮	⋮	⋮	⋮	⋮	⋮	⋮	⋮	⋮	⋮	⋮	⋮	⋮	⋮	⋮	⋮	⋮	⋮	
	⋮	⋮	⋮	⋮	⋮	⋮	⋮	⋮	⋮	⋮	⋮	⋮	⋮	⋮	⋮	⋮	⋮	⋮	⋮	⋮	⋮	⋮	⋮	
	Red (253)	1	1	1	1	1	1	0	1	0	0	0	0	0	0	0	0	0	0	0	0	0	0	
	Red (254)	1	1	1	1	1	1	1	0	0	0	0	0	0	0	0	0	0	0	0	0	0	0	
	Red (255)	1	1	1	1	1	1	1	1	0	0	0	0	0	0	0	0	0	0	0	0	0	0	
Gray Scale Of Green	Green (0) / Dark	0	0	0	0	0	0	0	0	0	0	0	0	0	0	0	0	0	0	0	0	0	0	
	Green (1)	0	0	0	0	0	0	0	0	0	0	0	0	0	0	1	0	0	0	0	0	0	0	
	Green (2)	0	0	0	0	0	0	0	0	0	0	0	0	0	1	0	0	0	0	0	0	0	0	
	⋮	⋮	⋮	⋮	⋮	⋮	⋮	⋮	⋮	⋮	⋮	⋮	⋮	⋮	⋮	⋮	⋮	⋮	⋮	⋮	⋮	⋮	⋮	
	⋮	⋮	⋮	⋮	⋮	⋮	⋮	⋮	⋮	⋮	⋮	⋮	⋮	⋮	⋮	⋮	⋮	⋮	⋮	⋮	⋮	⋮	⋮	
	Green (253)	0	0	0	0	0	0	0	0	1	1	1	1	1	1	0	1	0	0	0	0	0	0	
	Green (254)	0	0	0	0	0	0	0	0	1	1	1	1	1	1	0	0	0	0	0	0	0	0	
	Green (255)	0	0	0	0	0	0	0	0	1	1	1	1	1	1	1	0	0	0	0	0	0	0	
Gray Scale Of Blue	Blue (0) / Dark	0	0	0	0	0	0	0	0	0	0	0	0	0	0	0	0	0	0	0	0	0	0	
	Blue (1)	0	0	0	0	0	0	0	0	0	0	0	0	0	0	0	0	0	0	0	0	0	1	
	Blue (2)	0	0	0	0	0	0	0	0	0	0	0	0	0	0	0	0	0	0	0	0	0	1	
	⋮	⋮	⋮	⋮	⋮	⋮	⋮	⋮	⋮	⋮	⋮	⋮	⋮	⋮	⋮	⋮	⋮	⋮	⋮	⋮	⋮	⋮	⋮	
	⋮	⋮	⋮	⋮	⋮	⋮	⋮	⋮	⋮	⋮	⋮	⋮	⋮	⋮	⋮	⋮	⋮	⋮	⋮	⋮	⋮	⋮	⋮	
	Blue (253)	0	0	0	0	0	0	0	0	0	0	0	0	0	0	0	1	1	1	1	1	1	0	
	Blue (254)	0	0	0	0	0	0	0	0	0	0	0	0	0	0	0	1	1	1	1	1	1	1	
	Blue (255)	0	0	0	0	0	0	0	0	0	0	0	0	0	0	0	1	1	1	1	1	1	1	

Note (1) 0: Low Level Voltage, 1: High Level Voltage

### 5.4 FLICKER (Vcom) ADJUSTMENT

(1) Adjustment Pattern:

The adjustment pattern is shown as below. If customer needs below pattern, please directly contact with INX account FAE.



(2) Adjustment method: (Digital V-com)

Programmable memory IC is used for Digital V-com adjustment in this model. INX provide Auto Vcom tools to adjust Digital V-com. The detail connection and setting instruction, please directly contact with Account FAE or refer INX Auto V-com adjustment OI. Below items is suggested to be ready before Digital V-com adjustment in customer LCM line.

- a. USB Sensor Board.
- b. Programmable software.
- c. Document: Auto V-com adjustment suggestion OI.

**6. INTERFACE TIMING**

**6.1 INPUT SIGNAL TIMING SPECIFICATIONS**

The input signal timing specifications are shown as the following table and timing diagram.

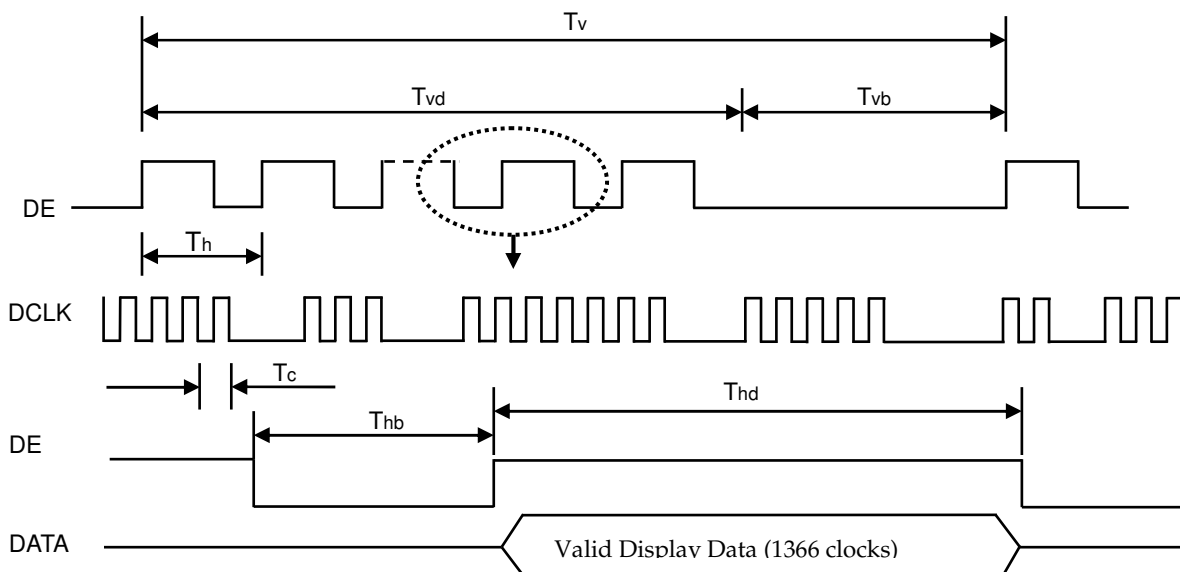
Signal	Item	Symbol	Min.	Typ.	Max.	Unit	Note
LVDS Receiver Clock	Frequency	$F_{clkkin}$ (=1/TC)	60	76	82	MHz	
	Input cycle to cycle jitter	$T_{rcl}$	-	—	200	ps	(3)
	Spread spectrum modulation range	$F_{clkkin\_mod}$	$F_{clkkin}-2\%$	—	$F_{clkkin}+2\%$	MHz	(4)
	Spread spectrum modulation frequency	$F_{SSM}$	—	—	200	KHz	
LVDS Receiver Data	Receiver Skew Margin	$T_{RSKM}$	-400	—	400	ps	(5)
Vertical Active Display Term	Frame Rate	$F_{r5}$	47	50	53	Hz	(6)
		$F_{r6}$	57	60	63	Hz	
	Total	$T_v$	778	806	986	Th	$T_v=T_{vd}+T_{vb}$
	Display	$T_{vd}$	768	768	768	Th	—
	Blank	$T_{vb}$	10	38	218	Th	—
Horizontal Active Display Term	Total	$T_h$	1446	1560	1936	Tc	$T_h=T_{hd}+T_{hb}$
	Display	$T_{hd}$	1366	1366	1366	Tc	—
	Blank	$T_{hb}$	80	194	570	Tc	—

Note (1) Please make sure the range of pixel clock has follow the below equation :

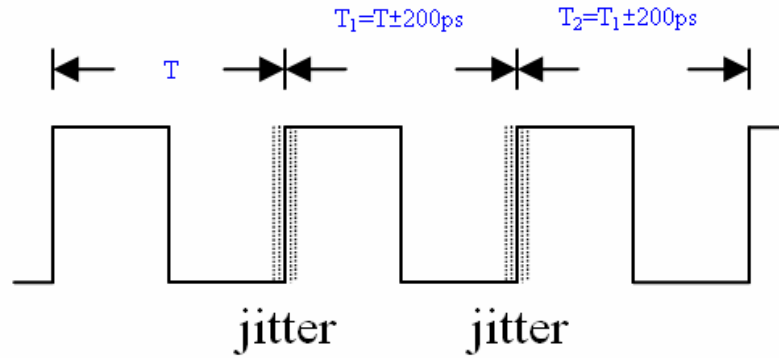
$$F_{clkkin}(\max) \geq Fr6 \times Tv \times Th$$

$$Fr5 \times Tv \times Th \geq F_{clkkin}(\min)$$

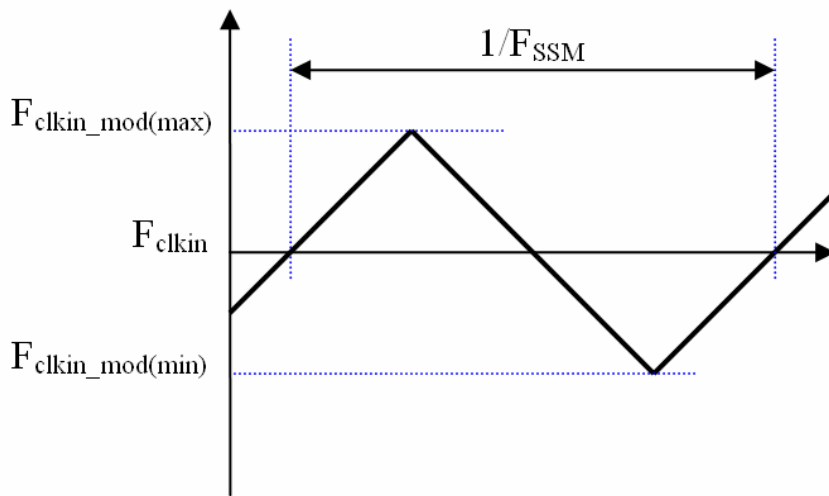
Note (2) This module is operated in DE only mode and please follow the input signal timing diagram below :



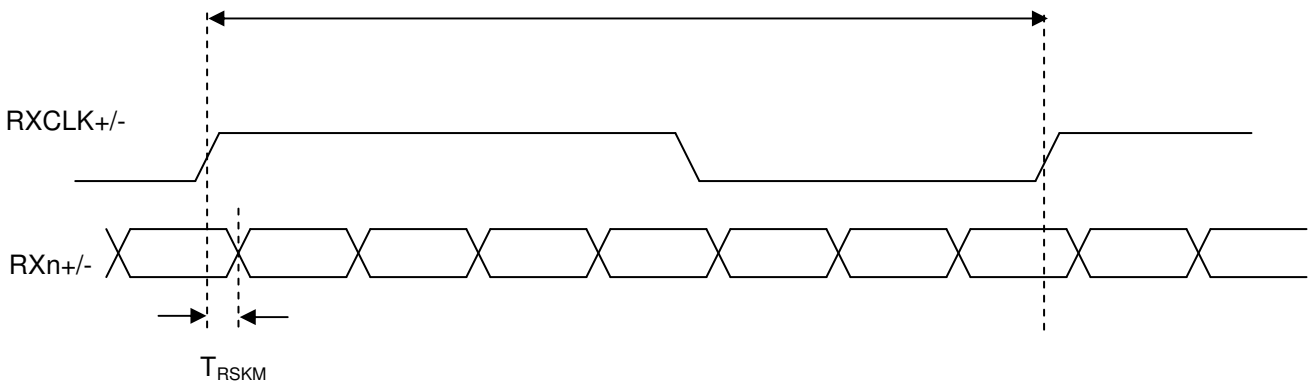
Note (3) The input clock cycle-to-cycle jitter is defined as below figures.  $Trcl = |T_1 - T|$



Note (4) The SSCG (Spread spectrum clock generator) is defined as below figures.

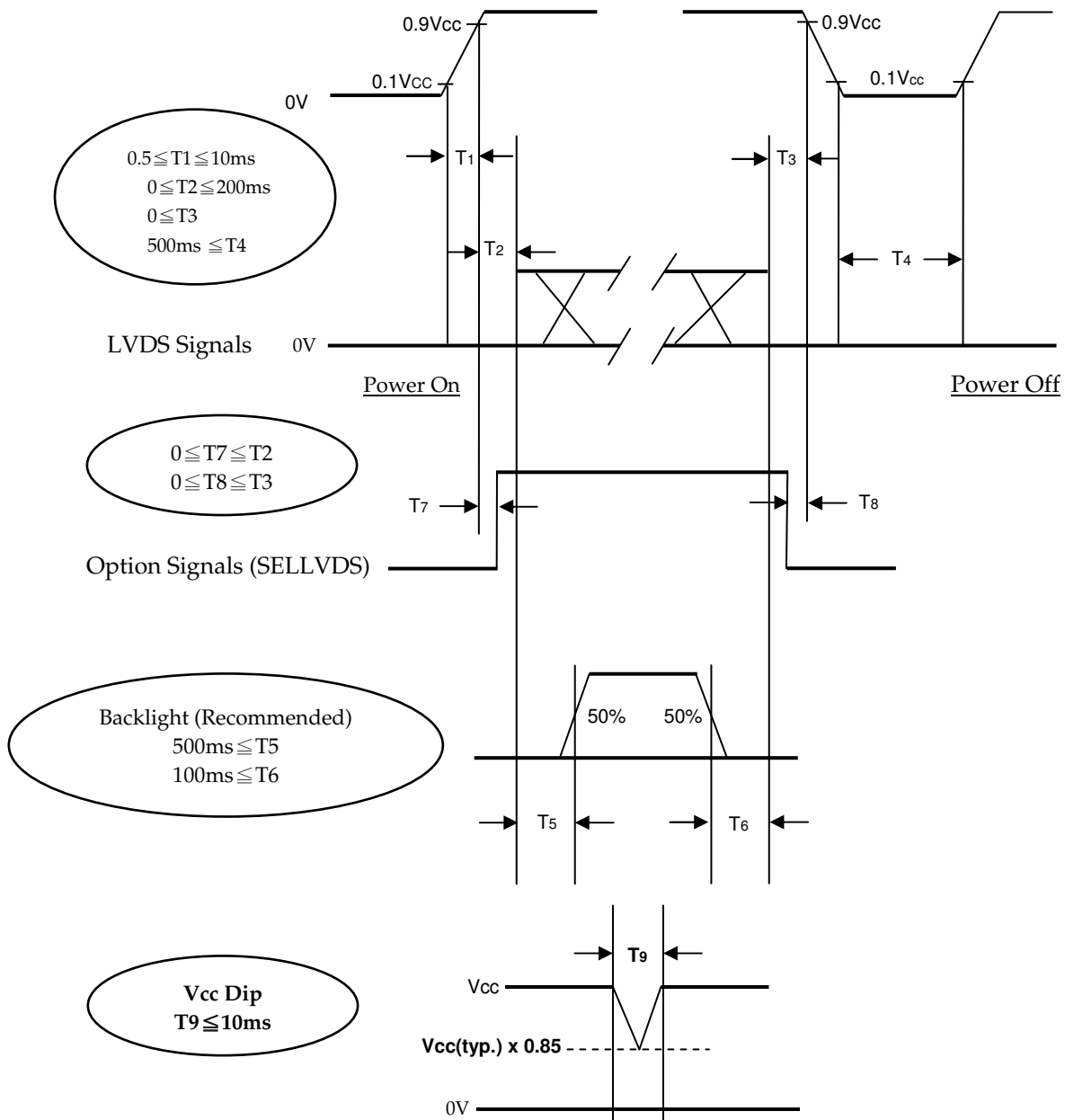


Note (5) The LVDS timing diagram and the receiver skew margin is defined and shown in following figure.



**6.2 POWER ON/OFF SEQUENCE**

To prevent a latch-up or DC operation of LCD module, the power on/off sequence should be as the diagram below.



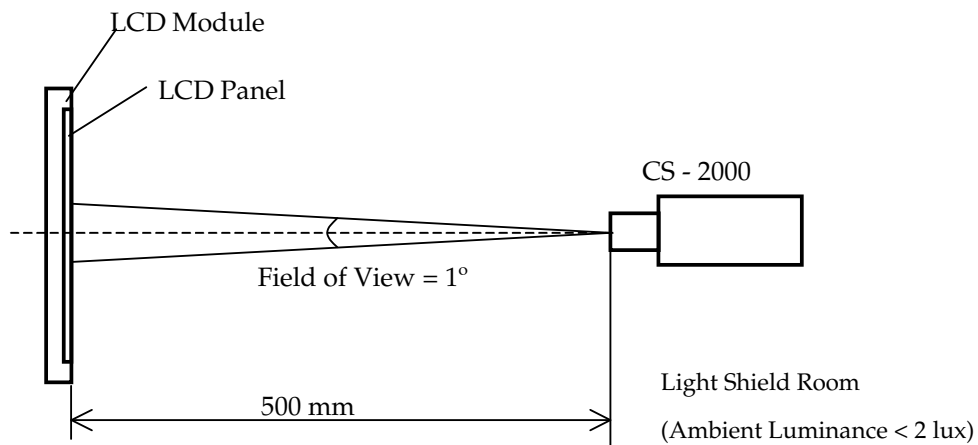
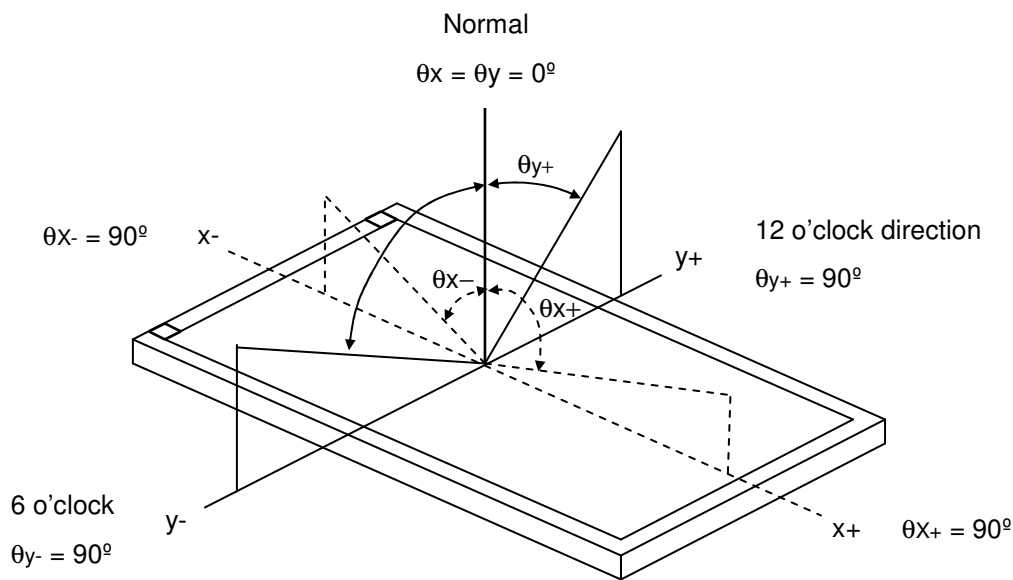
- Note (1) The supply voltage of the external system for the module input should follow the definition of Vcc.
- Note (2) Apply the lamp voltage within the LCD operation range. When the backlight turns on before the LCD operation or the LCD turns off before the backlight turns off, the display may momentarily become abnormal screen.
- Note (3) In case of VCC is in off level, please keep the level of input signals on the low or high impedance.  
If  $T2 < 0$ , that maybe cause electrical overstress failure.
- Note (4) T4 should be measured after the module has been fully discharged between power off and on period.
- Note (5) Interface signal shall not be kept at high impedance when the power is on.
- Note (6) Vcc must decay smoothly when power-off.

7. OPTICAL CHARACTERISTICS

7.1 TEST CONDITIONS

Item	Symbol	Value	Unit
Ambient Temperature	Ta	25 ±2	°C
Ambient Humidity	Ha	50 ±10	%RH
Vertical Frame Rate	Fr	60	Hz
Supply Voltage	V <sub>CC</sub>	12.0±1.2	V
Input Signal	According to typical value in "3. ELECTRICAL CHARACTERISTICS"		

The LCD module should be stabilized at given temperature for 1 hour to avoid abrupt temperature change during measuring in a windless room.



## 7.2 OPTICAL SPECIFICATIONS

The relative measurement methods of optical characteristics are shown as below. The following items should be measured under the test conditions described in 7.1 and stable environment shown in 7.1.

Item		Symbol	Condition	Min.	Typ.	Max.	Unit	Note
Color Chromaticity	Red	Rcx	$\theta_x=0^\circ, \theta_Y=0^\circ$ Viewing Angle at Normal Direction Standard light source "C"	-0.03	0.661	+0.03	-	(0)
		Rcy			0.326		-	
	Green	Gcx			0.282		-	
		Gcy			0.587		-	
	Blue	Bcx			0.136		-	
		Bcy			0.101		-	
	White	Wcx			0.317		-	
		Wcy			0.355		-	
Transmittance		T%			5.8	-	%	(5)
Transmittance Variation		$\delta T$	$\theta_x=0^\circ, \theta_Y=0^\circ$ With INX Module@60Hz			1.42		(6)
Contrast Ratio		CR		2000	3000	-	-	(1),(3)
Response Time (VA Model)		Gray to gray	$\theta_x=0^\circ, \theta_Y=0^\circ$ With INX Module@60Hz	-	8.5	20	ms	(1),(4)
Viewing Angle	Horizontal	$\theta_{x+}$	$CR \geq 10$ With INX Module	80	89	-	Deg.	(1),(2)
		$\theta_{x-}$		80	89	-		
	Vertical	$\theta_{Y+}$		80	89	-		
		$\theta_{Y-}$		80	89	-		

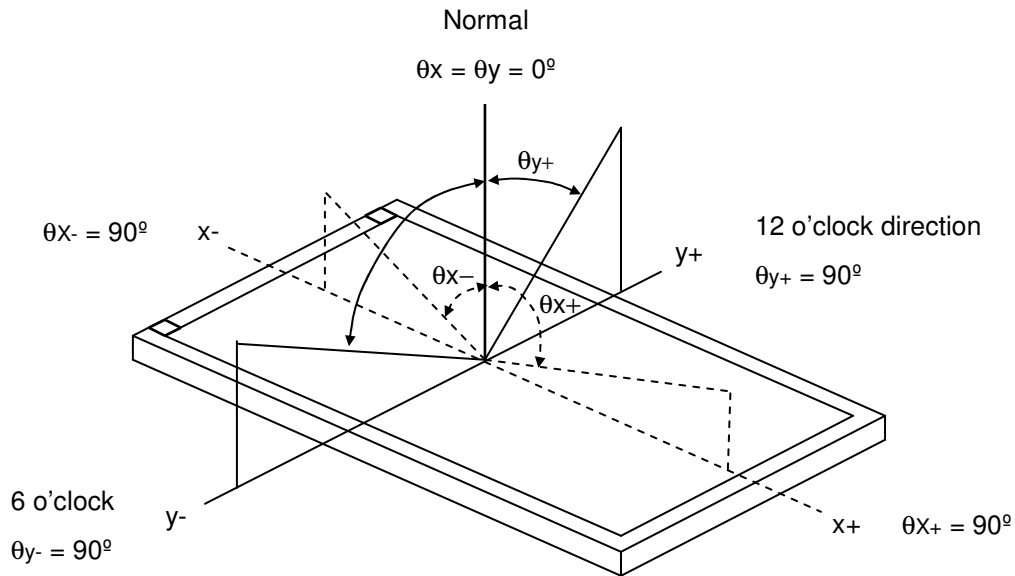
Note (0) Light source is the standard light source "C" which is defined by CIE and driving voltage are based on suitable gamma voltages. The calculating method is as following:

1. Measure Module's and BLU's spectrum at center point. W, R, G, B are with signal input. BLU (V236BJ1-LE2) is supplied by INX. (VA Model)
2. Calculate cell's spectrum.
3. Calculate cell's chromaticity by using the spectrum of standard light source "C".

Note (1) Light source is the BLU which supplied by INX (V236BJ1-LE2) and the cell driving voltage are based on suitable gamma voltages.

Note (2) Definition of Viewing Angle ( $\theta_x, \theta_y$ ):

Viewing angles are measured by Autronic Conoscope Cono-80 (or Eldim EZ-Contrast 160R)



Note (3) Definition of Contrast Ratio (CR) :

The contrast ratio can be calculated by the following expression.

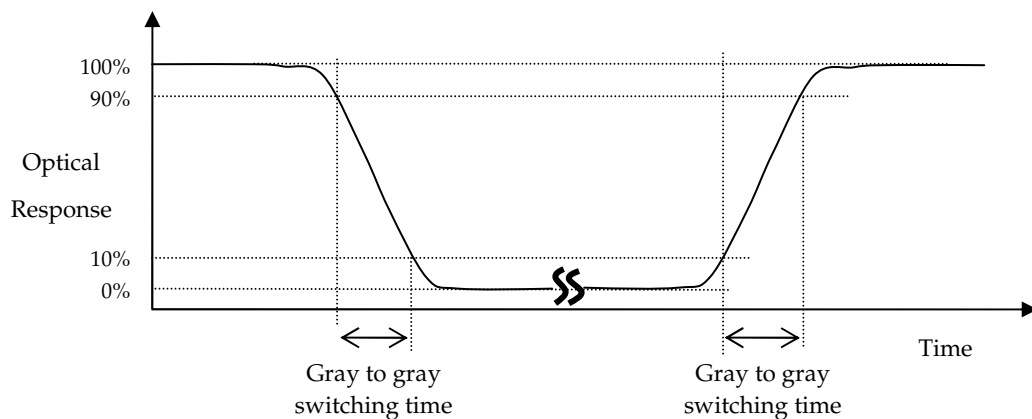
$$\text{Contrast Ratio (CR)} = \frac{\text{Surface Luminance of L255}}{\text{Surface Luminance of L0}}$$

L255: Luminance of gray level 255

L0: Luminance of gray level 0

CR = CR (X), where CR (X) is corresponding to the Contrast Ratio of the point X at the figure in Note (6).

Note (4) Definition of Gray-to-Gray Switching Time (VA Model):



The driving signal means the signal of gray level 0, 31, 63, 95, 127, 159, 191, 223 and 255.

Gray to gray average time means the average switching time of gray level 0, 31, 63, 95, 127, 159, 191, 223 and 255 to each other.



Note (5) Definition of Transmittance (T%): (VA Model)

Measure the transmittance at 5 points.

Light source is INX V236BJ1-LE2 module BLU and the cell driving voltage are based on suitable gamma voltages.

$$\text{Transmittance (T\%)} = \text{Average} [T(1), T(2), T(3), T(4), T(5)]$$

The transmittance of each point can be calculated by the following expression.

$$T(X) = \frac{\text{L255 (X) of LCD module}}{\text{Luminance (X) of BLU}} \times 100\%$$

L255: Luminance of gray level 255

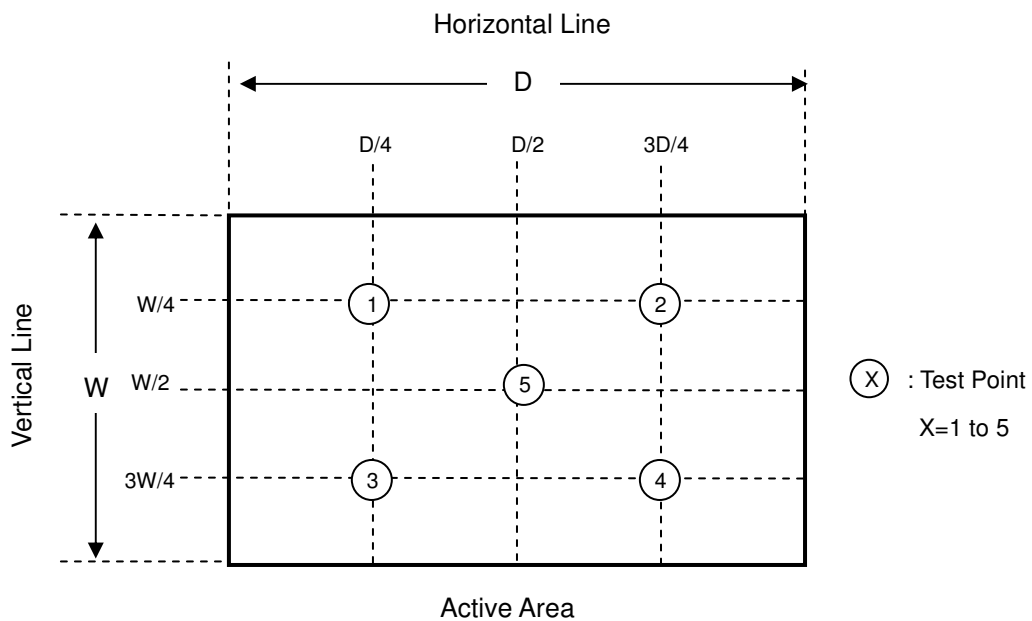
T(X) is corresponding to the point X1~X5 at the figure in Note (6).

Note (6) Definition of Transmittance Variation ( $\delta T$ ): (VA Model)

Measure the transmittance at 5 points.

$$\text{Transmittance Variation } (\delta T) = \frac{\text{Maximum} [T(1), T(2), T(3), T(4), T(5)]}{\text{Minimum} [T(1), T(2), T(3), T(4), T(5)]}$$

T(X) is calculated as Note(5).



## 8. PRECAUTIONS

### 8.1 ASSEMBLY AND HANDLING PRECAUTIONS

- [ 1 ] Do not apply improper or unbalanced force such as bending or twisting to open cells during assembly.
- [ 2 ] It is recommended to assemble or to install an open cell into a customer's product in clean working areas. The dust and oil may cause electrical short to an open cell or worsen polarizers on an open cell.
- [ 3 ] Do not apply pressure or impulse to an open cell to prevent the damage.
- [ 4 ] Always follow the correct power-on sequence when an open cell is assembled and turned on. This can prevent the damage and latch-up of the CMOS LSI chips.
- [ 5 ] Do not design sharp-pointed structure / parting line / tooling gate on the plastic part of a COF (Chip on film), because the burr will scrape the COF.
- [ 6 ] If COF would be bended in assemble process, do not place IC on the bending corner.
- [ 7 ] The gap between COF IC and any structure of BLU must be bigger than 2 mm. This can prevent the damage of COF IC.
- [ 8 ] The bezel opening must have no burr and be smooth to prevent the surface of an open cell scraped.
- [ 9 ] The bezel of a module or a TV set can not contact with force on the surface of an open cell. It might cause light leakage or scrape.
- [ 10 ] In the case of no FFC or FPC attached with open cells, customers can refer the FFC / FPC drawing and buy them by self.
- [ 11 ] It is important to keep enough clearance between customers' front bezel/backlight and an open cell. Without enough clearance, the unexpected force during module assembly procedure may damage an open cell.
- [ 12 ] Do not plug in or unplug an I/F (interface) connector while an assembled open cell is in operation.
- [ 13 ] Use a soft dry cloth without chemicals for cleaning, because the surface of the polarizer is very soft and easily scratched.
- [ 14 ] Moisture can easily penetrate into an open cell and may cause the damage during operation.
- [ 15 ] When storing open cells as spares for a long time, the following precaution is necessary.
  - [ 15.1 ] Do not leave open cells in high temperature and high humidity for a long time. It is highly recommended to store open cells in the temperature range from 0 to 35°C at normal humidity without condensation.
  - [ 15.2 ] Open cells shall be stored in dark place. Do not store open cells in direct sunlight or fluorescent light environment.
- [ 16 ] When ambient temperature is lower than 10°C, the display quality might be reduced.
- [ 17 ] Unpacking (Cartons/Tray plates) in order to prevent open cells broken:
  - [ 17.1 ] Moving tray plates by one operator may cause tray plates bent which may induce open cells broken. Two operators carry one carton with their two hands. Do not throw cartons/tray plates, avoid any impact on cartons/tray plates, and put down & pile cartons/tray plates gently.
  - [ 17.2 ] A tray plate handled with unbalanced force may cause an open cell damaged. Trays should be completely put on a flat platform.
  - [ 17.3 ] To prevent open cells broken, tray plates should be moved one by one from a plastic bag.

- [ 17.4 ] Please follow the packing design instruction, such as the maximum number of tray stacking to prevent the deformation of tray plates which may cause open cells broken.
- [ 17.5 ] To prevent an open cell broken or a COF damaged on a tray, please follow the instructions below:
  - [17.5.1] Do not peel a polarizer protection film of an open cell off on a tray
  - [17.5.2] Do not install FFC or LVDS cables of an open cell on a tray
  - [17.5.3] Do not press the surface of an open cell on a tray.
  - [17.5.4] Do not pull X-board when an open cell placed on a tray.
- [ 18 ] Unpacking (Hard Box) in order to prevent open cells broken:
  - [ 18.1 ] Moving hard boxes by one operator may cause hard boxes fell down and open cells broken by abnormal methods. Two operators carry one hard box with their two hands. Do handle hard boxes carefully, such as avoiding impact, putting down, and piling up gently.
  - [ 18.2 ] To prevent hard boxes sliding from carts and falling down, hard boxes should be placed on a surface with resistance.
  - [ 18.3 ] To prevent an open cell broken or a COF damaged in a hard box, please follow the instructions below:
    - [18.3.1] Do not peel a polarizer protection film of an open cell off in a hard box.
    - [18.3.2] Do not install FFC or LVDS cables of an open cell in a hard box.
    - [18.3.3] Do not press the surface of an open cell in a hard box.
    - [18.3.4] Do not pull X-board when an open cell placed in a hard box.
- [ 19 ] Handling – In order to prevent open cells, COFs , and components damaged:
  - [ 19.1 ] The forced displacement between open cells and X-board may cause a COF damaged. Use a fixture tool for handling an open cell to avoid X-board vibrating and interfering with other components on a PCBA & a COF.
  - [ 19.2 ] To prevent open cells and COFs damaged by taking out from hard boxes, using vacuum jigs to take out open cells horizontally is recommended.
  - [ 19.3 ] Improper installation procedure may cause COFs of an open cell over bent which causes damages. As installing an open cell on a backlight or a test jig, place the bottom side of the open cell first on the backlight or the test jig and make sure no interference before fitting the open cell into the backlight/the test jig.
  - [ 19.4 ] Handle open cells one by one.
- [ 20 ] Avoid any metal or conductive material to contact PCB components, because it could cause electrical damage or defect.

## 8.2 SAFETY PRECAUTIONS

- [ 1 ] If the liquid crystal material leaks from the open cell, it should be kept away from the eyes or mouth. In case of contact with hands, skin or clothes, it has to be washed away thoroughly with soap.
- [ 2 ] After the end of life, open cells are not harmful in case of normal operation and storage.

9. DEFINITION OF LABELS

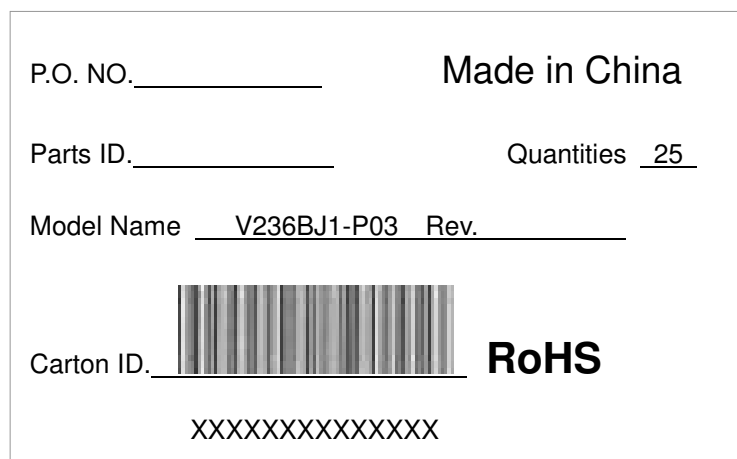
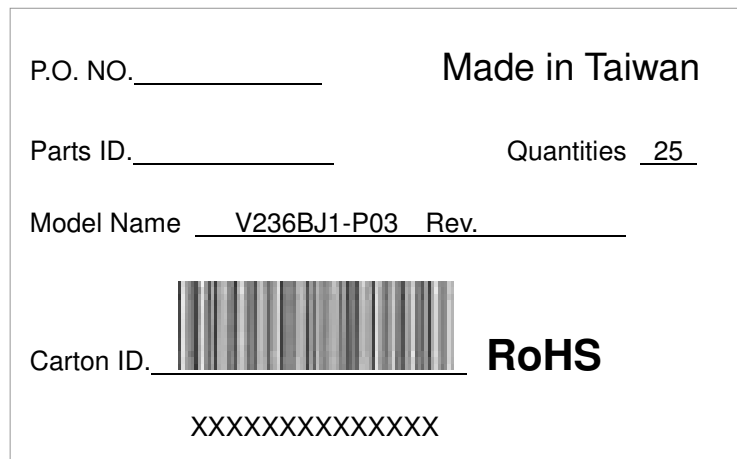
9.1 OPEN CELL LABEL

The barcode nameplate is pasted on each open cell as illustration for INX internal control.



9.2 CARTON LABEL

The barcode nameplate is pasted on each box as illustration, and its definitions are as following explanation



- (a) Model Name: V236BJ1– P03
- (b) Carton ID: INX internal control
- (c) Quantities: 25

**10. PACKAGING**

**10.1 PACKAGING SPECIFICATIONS**

- (1) 25 PCS LCD Panels / 1 Box
- (2) Box dimensions : 630 (L) X 473 (W) X143 (H)mm
- (3) Weight : approximately 13.6 Kg
- (4) 800 PCS LCD TV Panels / 1 Group

**10.2 PACKING METHOD**

Packing method (EPO Box) is shown in following figures

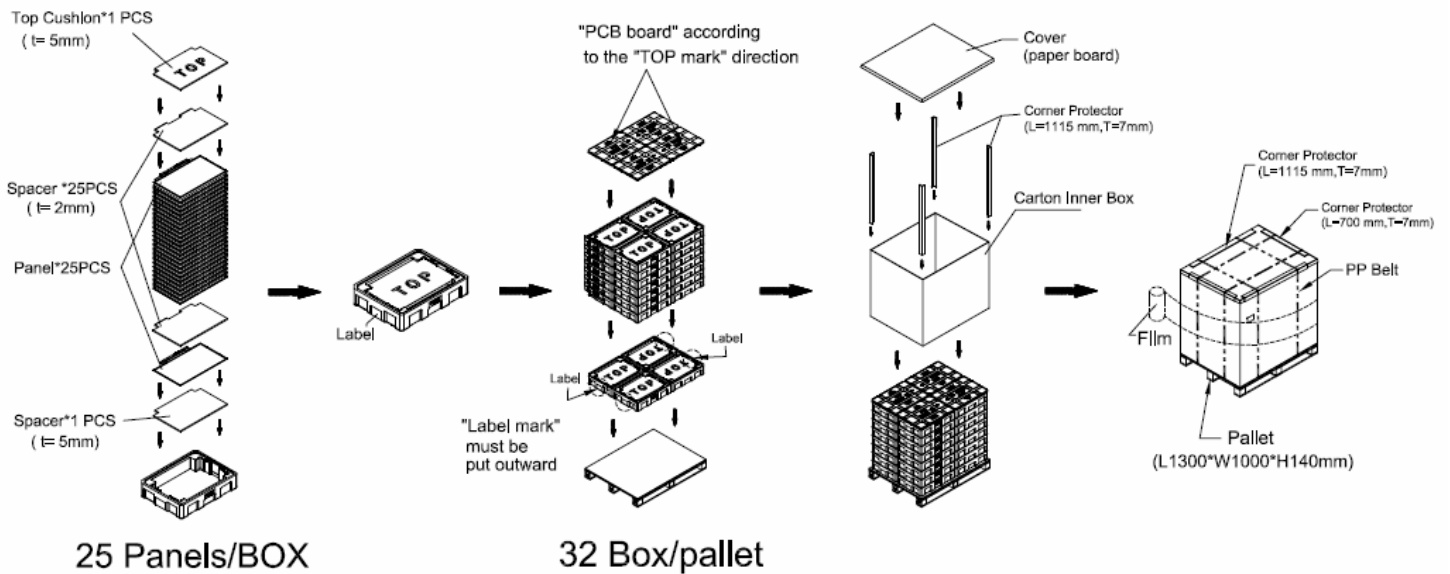


Figure.10-1 packing method

**Sea & Land Transportation (40ft HQ Container)**

**Sea & Land Transportation**

**Air Transportation**

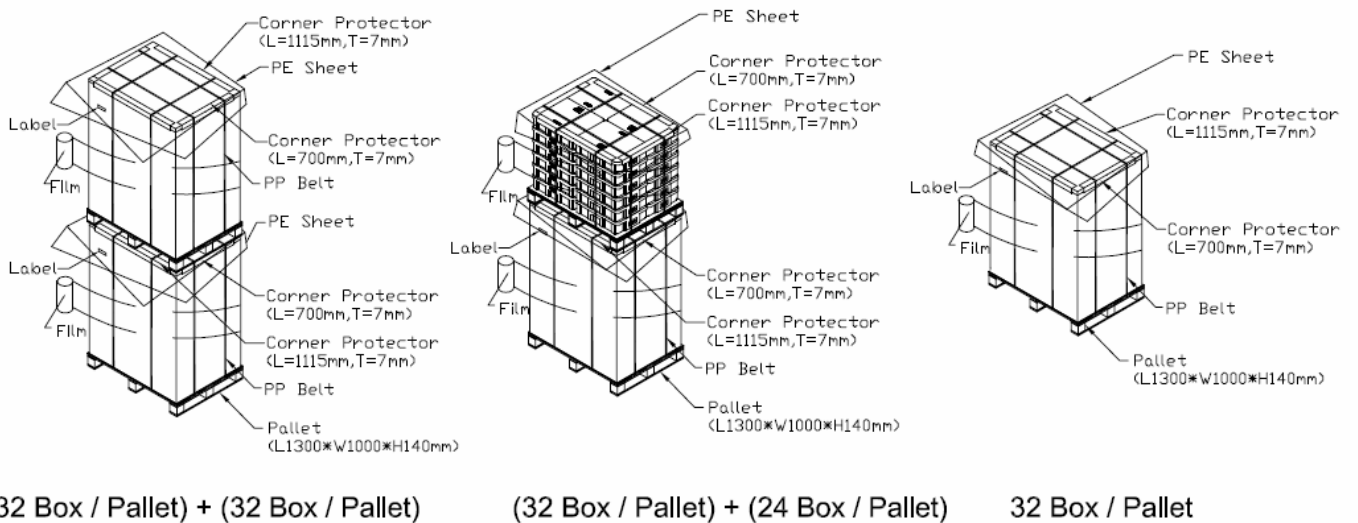


Figure.10-2 packing method

10.3 UN - PACKAGING METHOD

Without the outer Carton, Boxes stack under the package architecture

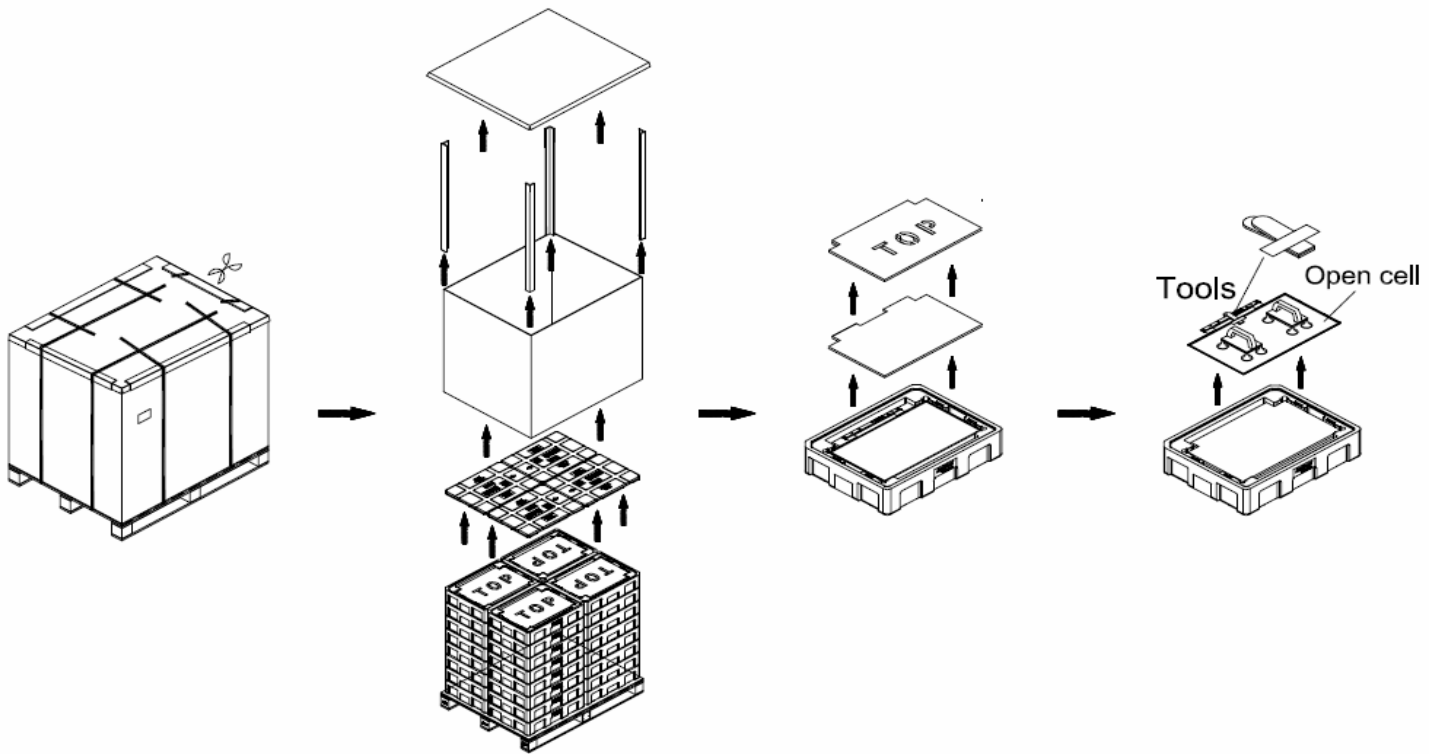
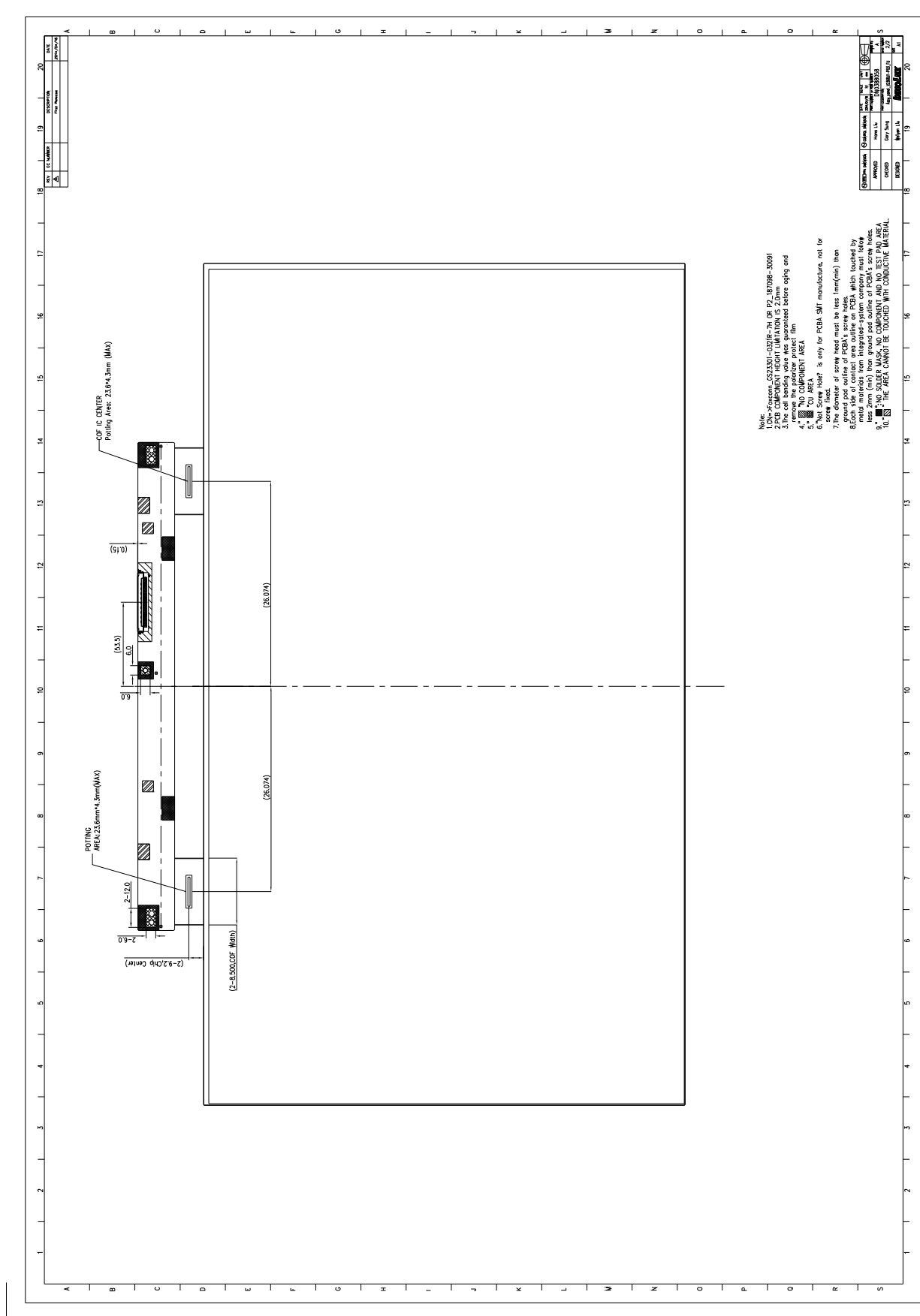


Figure.10-3 unpacking method





- Note:
1. Component: 0523201-0376-71, 05 P2, 187086-5000
  2. PCB COMPONENT HEIGHT LIMITATION IS 2.5mm
  3. The call heading value was guaranteed before aging and
  4. \*\* "NG" COMPONENT AREA
  5. \*\* "CO" AREA
  6. Screw fixed.
  7. The diameter of screw head must be less than (mm) than
  8. ground pad outline of PCB's screw hole
  9. The diameter of screw hole must be less than (mm) than
  10. \*\* THE AREA CANNOT BE TOUCHED WITH CONDUCTIVE MATERIAL



Our company network supports you worldwide with offices in Germany, Austria, Switzerland, the UK and the USA. For more information please contact:

## Headquarters

Germany



**FORTEC Elektronik AG**

Lechwiesenstr. 9  
86899 Landsberg am Lech

Phone: +49 8191 91172-0  
E-Mail: [sales@forteca.de](mailto:sales@forteca.de)  
Internet: [www.forteca.de](http://www.forteca.de)

## Fortec Group Members

Austria



**FORTEC Elektronik AG**

**Office Vienna**

Nuschinggasse 12  
1230 Wien

Phone: +43 1 8673492-0  
E-Mail: [office@fortec.at](mailto:office@fortec.at)  
Internet: [www.fortec.at](http://www.fortec.at)

Germany



**Distec GmbH**

Augsburger Str. 2b  
82110 Germering

Phone: +49 89 894363-0  
E-Mail: [info@distec.de](mailto:info@distec.de)  
Internet: [www.distec.de](http://www.distec.de)

Switzerland



**ALTRAC AG**

Bahnhofstraße 3  
5436 Würenlos

Phone: +41 44 7446111  
E-Mail: [info@altrac.ch](mailto:info@altrac.ch)  
Internet: [www.altrac.ch](http://www.altrac.ch)

United Kingdom



**Display Technology Ltd.**

Osprey House, 1 Osprey Court  
Hichingbrooke Business Park  
Huntingdon, Cambridgeshire, PE29 6FN

Phone: +44 1480 411600  
E-Mail: [info@displaytechnology.co.uk](mailto:info@displaytechnology.co.uk)  
Internet: [www.displaytechnology.co.uk](http://www.displaytechnology.co.uk)

USA



**Apollo Display Technologies, Corp.**

87 Raynor Avenue,  
Unit 1 Ronkonkoma,  
NY 11779

Phone: +1 631 5804360  
E-Mail: [info@apolloDisplays.com](mailto:info@apolloDisplays.com)  
Internet: [www.apolloDisplays.com](http://www.apolloDisplays.com)