



# Datasheet

## **EETI**

### **ETP-MB-EXC325442CDG-XXXX**

TO-02-207

The information contained in this document has been carefully researched and is, to the best of our knowledge, accurate. However, we assume no liability for any product failures or damages, immediate or consequential, resulting from the use of the information provided herein. Our products are not intended for use in systems in which failures of product could result in personal injury. All trademarks mentioned herein are property of their respective owners. All specifications are subject to change without notice.

---



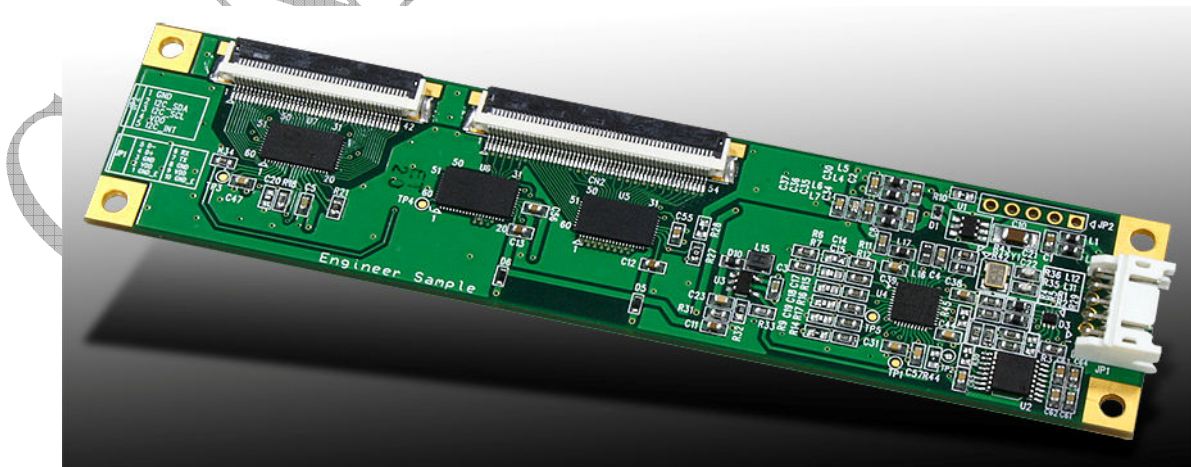
禾瑞亞科技股份有限公司  
eGalax\_eMPIA Technology Inc.

## Projected Capacitive USB/RS232 Touch Panel Controller

eGalax\_eMPIA launched touch control board to meet latest Restriction of Hazardous Substances (RoHS) Directive. This touch panel controller provides the optimistic performance of your projected capacitive touch panels. It communicates with PC system directly through USB/UART connector. You can see how superior the design is in sensitivity · accuracy and friendly operation. The touch panel driver emulates mouse left and right button function and supports operation systems as following.

OS	Version	Interfaces
<b>Windows</b>	Windows 8(Need logo submission)	USB/RS232 (Win8)
	Windows 7	
	Windows Vista, XP/2000	
	Windows CE.net/5.0/6.0/7.0	
	Windows Embedded Windows XP Tablet PC edition	
<b>Linux</b>	Distribution based on Kernel 2.6.24 and later. (Ubuntu/Linux Mint Debian Fedora Red Hat/CentOS Magaie/Mandriva/Mandrake SUSE/openSUSE	USB/RS232
	Android 2.3 ~ 4.4	
<b>Mac</b>	Mac OS, Mac OS X (PowerPC, Intel CPU)	USB
<b>QNX</b>	QNX RTOS v6.3	USB/RS232

### Controller:





## Specifications:

<b>USB/RS232 Type Controller</b>	
Circuit Board Dimension	28mm x 125mm
Channels of Panel	Max. Tx:52 Rx:40 channels (exclude shielding pin)
Input Voltage	3.5V~5.5V. Typical 5V.
Operating Temperature	-40 to 85 °C
Storage Temperature	-40 to 90 °C
Relative Humidity	95% at 60 °C, RH Non-condensing
Linearity(Note 1)	Line drawing accuracy : 1pt +/- 1mm offset /10mm Touch (point) accuracy : 1pt +/- 1mm Refer to Windows 8 Logo regulation
Interface	USB: 1.1 Full Speed RS232: No parity,8 data bits,1 stop bit, baud rate 19200bps
Resolution	4096×4096 resolution
Power consumption(mA)	Active Mode: <90mA Idle Mode : <40mA Sleep Mode :< 5mA (Operation Mode :Active Mode only)
Report rate(points/sec) (Note 2)	> 100 Hz
Response time	Average < 25 ms

**Note 1: Channel pitch should be design 4.8mm (Win8) or < 6mm (Non-Win8).**

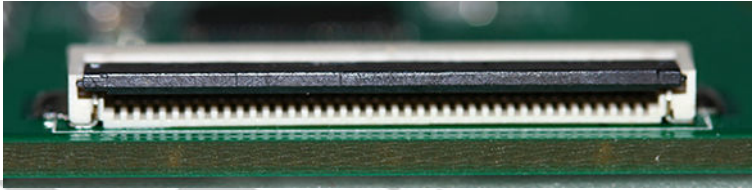
**Note 2: Report rate will vary by channel number, cover thickness and other parameters.**

## Product Package:

- (1) PCAP Controller Board (ETP-MB-EXC325442CDG-XXXX)
- (2) Y-Cable (ETP-CB-SXC00)
- (3) USB or RS232 cable

## FPC Connector Pin Assignment:

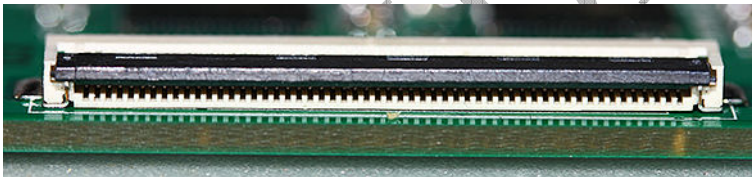
### CN1 Connector



CN1

20	19	18	17	16	15	14	13	12	11	10	9	8	7	6	5	4	3	2	1	PIN
RX19	RX18	RX17	RX16	RX15	RX14	RX13	RX12	RX11	RX10	RX9	RX8	RX7	RX6	RX5	RX4	RX3	RX2	RX1	Shield_RX1	
40	39	38	37	36	35	34	33	32	31	30	29	28	27	26	25	24	23	22	21	PIN
RX39	RX38	RX37	RX36	RX35	RX34	RX33	RX32	RX31	RX30	RX29	RX28	RX27	RX26	RX25	RX24	RX23	RX22	RX21	RX20	
																		42	41	PIN
																		Shield_RX2	Rx40	

### CN2 Connector

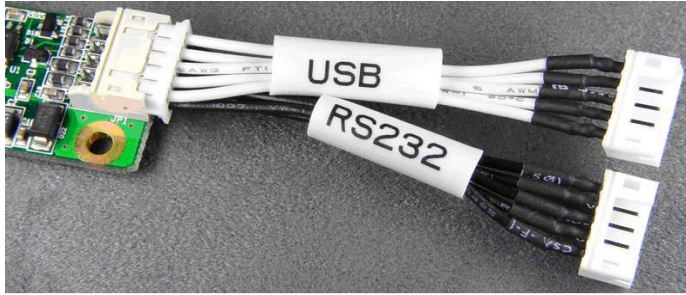


CN2

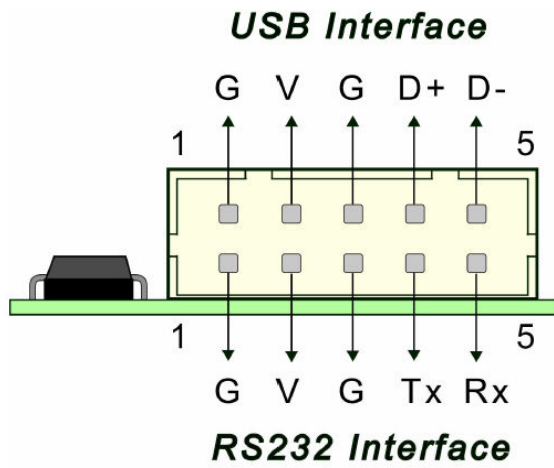
20	19	18	17	16	15	14	13	12	11	10	9	8	7	6	5	4	3	2	1	PIN
TX19	TX18	TX17	TX16	TX15	TX14	TX13	TX12	TX11	TX10	TX9	TX8	TX7	TX6	TX5	TX4	TX3	TX2	TX1	Shield_TX1	
40	39	38	37	36	35	34	33	32	31	30	29	28	27	26	25	24	23	22	21	PIN
TX39	TX38	TX37	TX36	TX35	TX34	TX33	TX32	TX31	TX30	TX29	TX28	TX27	TX26	TX25	TX24	TX23	TX22	TX21	TX20	
						54	53	52	51	50	49	48	47	46	45	44	43	42	41	PIN
						Shield_TX2	TX52	TX51	TX50	TX49	TX48	TX47	TX46	TX45	TX44	TX43	TX42	TX41	TX40	

**Interface Connector JP1:**

**USB/RS232 Combo Connector**



**USB&RS232 interface:**



CONFIDENTIAL

CONFIDENTIAL

Our company network supports you worldwide with offices in Germany, Great Britain, Italy, Turkey and the USA. For more information please contact:



---

## DATA DISPLAY GROUP

### **Distec GmbH**

Augsburger Str. 2b  
82110 Germering  
Germany

Phone: +49 (0)89 / 89 43 63-0  
Fax: +49 (0)89 / 89 43 63-131  
E-Mail: [info@datadisplay-group.de](mailto:info@datadisplay-group.de)  
Internet: [www.datadisplay-group.de](http://www.datadisplay-group.de)

### **Display Technology Ltd.**

5 The Oaks Business Village  
Revenge Road, Lordswood  
Chatham, Kent, ME5 8LF  
United Kingdom

Phone: +44 (0)1634 / 67 27 55  
Fax: +44 (0)1634 / 67 27 54  
E-Mail: [info@datadisplay-group.co.uk](mailto:info@datadisplay-group.co.uk)  
Internet: [www.datadisplay-group.co.uk](http://www.datadisplay-group.co.uk)

### **Apollo Display Technologies, Corp.**

87 Raynor Avenue, Unit 1 Ronkonkoma, NY  
11779  
United States of America

Phone: +1 631 / 580-43 60  
Fax: +1 631 / 580-43 70  
E-Mail: [info@datadisplay-group.com](mailto:info@datadisplay-group.com)  
Internet: [www.datadisplay-group.com](http://www.datadisplay-group.com)

### **Sales Partner:**

#### **REM Italy s.a.s.**

di Michieletto Flavio & C.  
Via Obbia Bassa, 10  
I-35010 Trebaseleghe (PD)  
Italy  
Phone: +39 335 521 37 89  
E-Mail: [info@remitaly.com](mailto:info@remitaly.com)  
Internet: [www.remitaly.com](http://www.remitaly.com)

### **Sales Partner:**

#### **DATA DISPLAY BİLİŞİM TEKNOLOJİLERİ İÇ VE DIŞ TİCARET LİMİTED ŞİRKETİ**

Barbaros Mh Ak Zamabak Sk A Blok  
D:143 Ataşehir/İstanbul  
Turkey  
Phone: +90 (0)216 / 688 04 68  
Fax: +90 (0)216 / 688 04 69  
E-Mail: [info@data-display.com.tr](mailto:info@data-display.com.tr)  
Internet: [www.data-display.com.tr](http://www.data-display.com.tr)